



Specifications

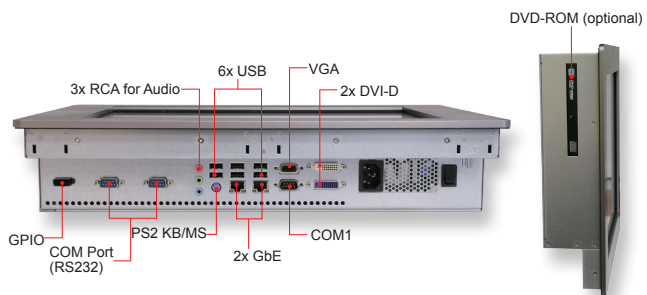
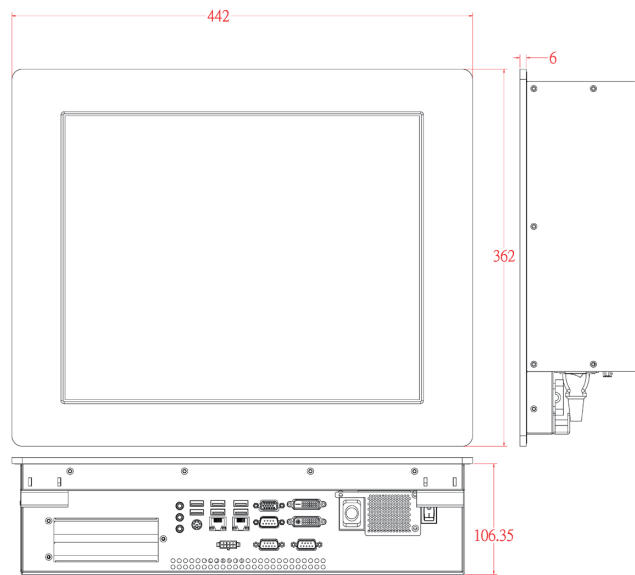
System Mainboard	MI953AF
CPU Type	Socket G1 (rPGA 989) for Intel® Core™ i7 / Core™ i5 processors
Memory	2x DDR3 1066MHz SO-DIMM, Max. 8GB
Construction	Steel (SGCC)
Chassis	Silver
I/O Interface	1x PS2 KB/MS, 6x USB2.0, 1x COM port, 2x Gigabit LAN, 2x DVI-D, 1x VGA CRT, 1x RCAx3 for HD audio, 2 x DB9 for COM3~4, 1 x 10-pin Mini-DIN for GPIO
Expansion I/O	2x PCI Slot (optional)
Storage	Slim SATA Combo DVD (optional) / 2.5" HDD (optional)
Mounting	VESA mount (100mmX100mm), Panel mount, Rack mount (optional)
Power Supply	110V/220V AC-in, built-in 180W PSU
Dimensions	442mm(W) x 362mm(D) x 112.35mm(H)
LCD Size	17.0" TFT LCD
LCD Color	16.7M colors
Touch Screen	Resistive Panel / Capacitive / SAW
Display Resolution	SXGA 1280x1024
LCD Brightness	380 cd/cm2
Dot Pitch	0.264mm x 0.264mm
Viewing Angle	160/160
Backlight MTBF	50,000 Hrs
Operating Temperature	0°C~ 40°C
Storage Temperature	-10°C~60°C
Relative Humidity	90%
Protection Class	IP65 (Front panel with wall mount)

Features

- 17" Panel PC with MI953AF Mini-ITX motherboard
- IP65 front panel protection
- Supports Resistive/Capacitive/SAW touch
- 2x DDR3 SO-DIMM memory socket, up to 8GB
- 2x PCI expansion slots (iPPC-1700EX)
- I/O for PS/2, dual USB, HD audio, 2x COM, GbE
- 1x DVD-ROM (optional)

Ordering Information

iPPC-1700TR	17" Panel PC with MI953AF, Socket G1 for Intel® Core™ i7/i5 CPU, 2x DDR3 SO-DIMM, Resistive Touch
iPPC-1700ER	17" Panel PC with MI953AF, Socket G1 for Intel® Core™ i7/i5 CPU, 2x DDR3 SO-DIMM, Resistive Touch & 2 PCI slots



Remarks: It is suggested to use CPU with 35W maximum power consumption

- 1 eFlex Platform
- 2 Motherboards
- 3 Disk-Size SBCs
- 4 CPU Modules
- 5 PC/104 Plus
- 6 CPU Cards
- 7 Embedded Systems
- 8 Network Security Appliance