

Compact Panel PC

BYTEM Series Flat Bezel Projected Capacitive Intel® Atom™ Processor Panel PC



Highlight

- Supports Intel® Atom™ Processor
- Very low power consumption
- Flat panel design with projected capacitive touch
- 9V~30V DC wide-range power input (for 10.1", 12.1" size)
- IP65 front-panel waterproof protection

Features



Fan-less design



Easy accessible 2.5" HDD storage



Compact size

I/O View



BYTEM-W071-PC



BYTEM-101-PC



BYTEM-121-PC

- 01 Stainless Steel Panel PC
- 02 An-one Panel PC with Riser Card Expansion
- 03 Compact Panel PC
- 04 Heavy-Duty Industrial Panel PC
- 05 Outdoor Panel PC
- 06 IBASE Medical Solution
- 07 ARM-Based Panel PC
- 08 ARM-Based HMI

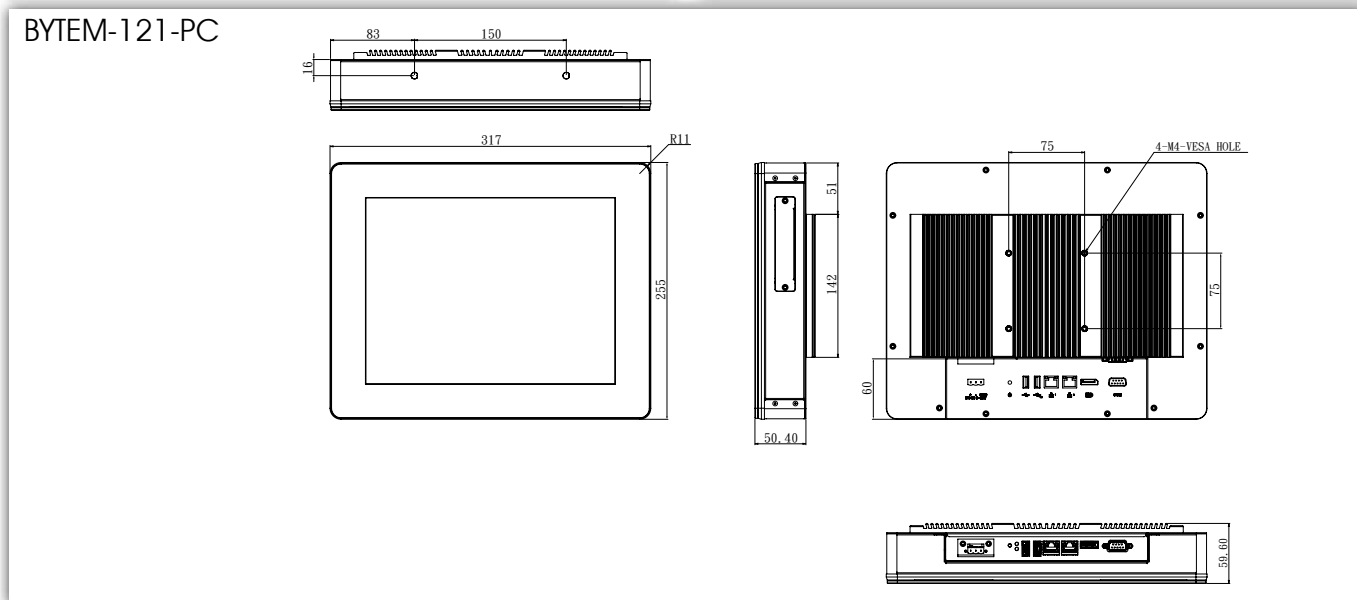
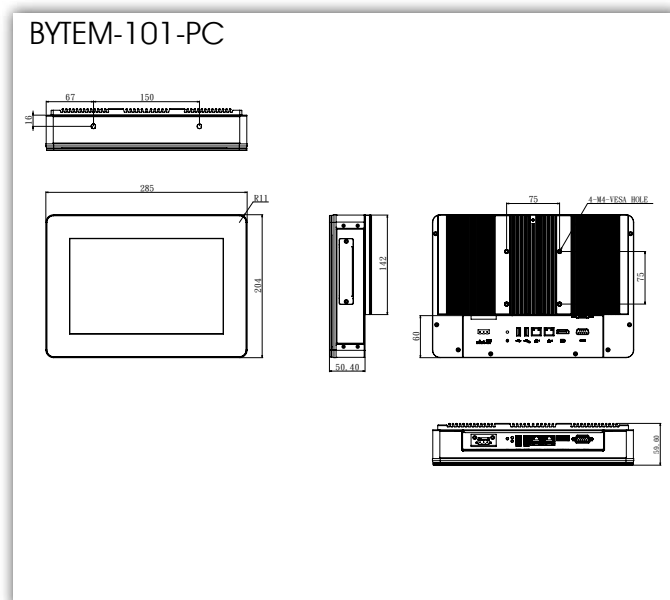
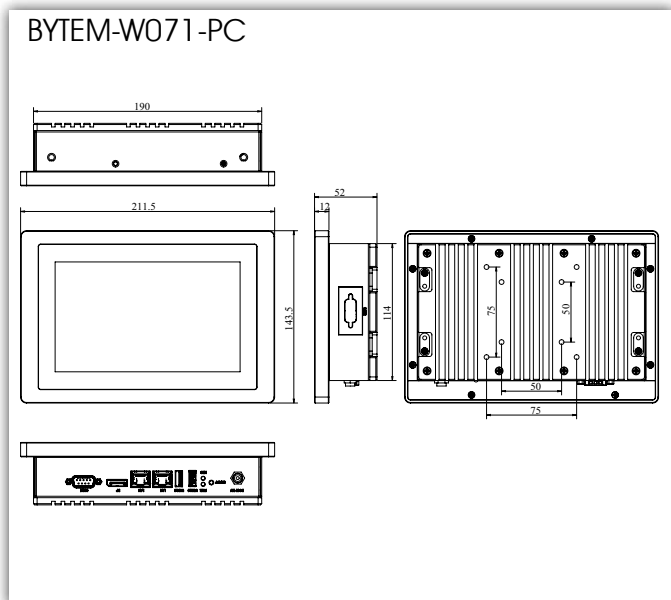
Compact Panel PC

Specification

Model No.	BYTEM-W071-PC	BYTEM-101-PC	BYTEM-121-PC
System			
Processor	Intel® Atom™ E3815 (Single Core @ 1.46 GHz)	Intel® Atom™ E3845 (Quad-Core @ 1.91GHz)	
System Memory	2x DDR3L SO-DIMM, up to 4GB, Default DDR3L 2GB(2GBx1)	2x DDR3L SO-DIMM, up to 8GB, Default DDR3L 4GB(4GBx1)	
External I/O			
USB	1x USB 3.0 flag type, blue color 1x USB 2.0 Type A flag type		
Serial/Parallel	1x D-SUB9 RS-232/422/485 COM1 1x COM2	1x D-SUB9 RS-232/422/485 COM1	
Audio	None		
Graphics	1x DP port		
LAN	2x Gigabit LAN (RJ45)		
Digital I/O	None		
Keyboard/Mouse	None		
Membrane Control	None		
Power	1x DC power jack 1x Power on/off switch	1x 3pin DC power connector 1x Power on/off switch	
Storage Space			
HDD	1x 2.5" SATA2		
Removable Slot	1x 2.5" half size SATA HDD easy accessible, default 32G SSD	1x 2.5" SATA HDD easy accessible, default 32G SSD	
Expansion			
Onboard Expansion Bus	1x mSATA/ mPCIe(x1) w/ USB signal [Half-size] 1x mSATA/mPCIe(x1) w/ USB signal and mSATA supported [Full-size]		
Expansion Slot	None		
Display			
Display Type	7" TFT-LCD	10.1" TFT-LCD	12.1" TFT-LCD
Max. Resolution	1024 x 600	1280 x 800	1024 x 768
Max. Color	16.7M	262K	16.7M
Luminance (cd/m2)	500	350	
View Angle (H°/V°)	160/160	170/170	160/160
Contrast	800:1	800:1	
Backlight Lifetime(hrs)	50000	12000	30000
Touch Screen			
Type	Projected capacitive touch		
Interface	USB		
Light Transmission (%)	85		
Power			
Power Input	12V DC input	9~30V DC input	
Mechanical			
Construction	Aluminum front bezel and white steel back cover with aluminum heat-sink		
IP Rating	IP65 front bezel		
Mounting	VESA 50x50 mm, panel mounting	VESA 75 x 75mm	
Dimensions (mm)	211.5 x 143.5 x 52	285 x 204 x 59.6	317 x 255 x 59.6
Net Weight (kgs)	TBD	4.2kgs	4.6kgs
Environment			
Operating Temperature(°C)	-10°C~ 50°C	0°C~ 40°C(with HDD/CFast)/ 0°C~ 50°C (with SSD)	
Storage Temperature(°C)	-30°C~70°C	-20°C~60°C	
Storage Humidity	10%~90% (non-condensing)		
Certification	CE/FCC Class B		
Operating System Support	Windows 8 32/64bit, Windows 7 Pro for Embedded 64bit, WES7 64bit		

Compact Panel PC

Dimensions



Ordering Information

BYTEM-W071-PC	7" Flat Panel Design Panel PC with IB897, Intel® Atom™ E3815 1.46 GHz, DDR3L SO-DIMM 2GB, 32G SSD, projected capacitive touch, w/ 60W power adaptor
BYTEM-101-PC	10.1" Flat Panel Design Panel PC with IB897, Intel® Atom™ E3845 1.91 GHz, DDR3L SO-DIMM 4GB, 32G SSD, projected capacitive touch, w/o power adaptor
BYTEM-121-PC	12.1" Flat Panel Design Panel PC with IB897, Intel® Atom™ E3845 1.91 GHz, DDR3L SO-DIMM 4GB, 32G SSD, projected capacitive touch, w/o power adaptor
Power adaptor (option)	AC 90V~240V input, 12V DC output 84W power adaptor

01 Stainless Steel Panel PC
 02 An-one Panel PC with Riser Card Expansion
03 Compact Panel PC
 04 Heavy-Duty Industrial Panel PC
 05 Outdoor Panel PC
 06 iBASE Medical Solution
 07 ARM-Based Panel PC
 08 ARM-Based HMI