

TANK-600-D2550-N2600

■ Fanless Embedded System

■ Intel® Cerdarview Dual Core Atom™ CPU



Features

- ◆ Intel® Dual Core D2550 1.86 GHz processor
Intel® Dual Core N2600 1.6 GHz processor
- ◆ 8 COM model: 6 x RS-232, 2 x RS-232/422/485
16 COM model: 14 x RS-232, 2 x RS-232/422/485
- ◆ 6 x USB 2.0
- ◆ Dual PCIe GbE LAN for high-speed network applications



Specifications

Model Name		TANK-600-D2550	TANK-600-N2600
Chassis	Color	Black C + Silver	
	Dimensions (WxDxH)	193.4 x 200 x 57 mm	
	System Fan	Fanless	
	Chassis Construction	Aluminum alloy	
Motherboard	CPU	Intel® D2550 1.86 GHz dual-core processor	Intel® N2600 1.6 GHz dual-core processor
	Chipset	Intel® NM10	
	System Memory	On-board DDR3 4GB	On-board DDR3 2GB
Storage	Hard Drive	1 x 2.5" SATA HDD Bay	
	USB 2.0	6	
I/O interfaces	Ethernet	2 x RJ-45 Realtek 8111E GbE LAN	
	RS-232	6 COM: 6 x DB-9 16 COM: 14 x RS-232 by DB-78	
	RS-422/485	2 x RS-232/422/485 by DB-9	
	Display	1 x VGA	
	Resolution	VGA: Up to 2048 x 1536 @ 75Hz	
	Audio	1 x Line-out, 1 x Mic-in	
	Expansions	PCIe Mini	1 x Full Size (Support mSATA) 1 x Half size
Power	Power Input	DC Jack : 9~36V DC	
	Power Consumption	12V@2.2A (Intel® Atom™ D2550 with 4GB DDR3 memory)	12V @ 2A (Intel® Atom™ N2600 with 2GB DDR3 memory)
Reliability	Mounting	VESA 100, DIN-Rail	
	Operating Temperature	-20°C ~70°C with air flow (SSD), 5% ~ 95%, non-condensing	
	Operating Shock	Half-sine wave shock 5G, 11ms, 3 shocks per axis	
	Operating Vibration	MIL-STD-810F 514.5C-2 (with SSD)	
	Weight (Net/Gross)	2.2 Kg / 3 Kg	
Safety / EMC	CE/FCC		
OS	Supported OS	Microsoft® WES7E, Microsoft® Windows® XP Embedded	

Fulfill a great variety of applications



AFC



ATM



Automation



Kiosk

Wide range temperature



The TANK-600 supports -20°C~70°C wide range environment.

The best choice for some ruggedize applications.

Abundant COM ports

Supports up to 16 COM ports.

COM ports	16 COM model	8 COM model
RS-232	14	6
RS-232/422/484	2	2

RS-232



RS-232 is a standard serial port to connect between DTE (Data Terminal Equipment) and DCE (Data Communication Equipment). With the advantage of long distance transmission and simple transmission line, the TANK-600 can fulfill users' demand to connect a large number of devices through the RS-232 serial ports.

Versatile mounting ways

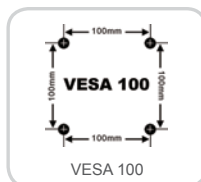
The TANK-600 series can fulfill VESA 100/DIN-rail/Wall mount, providing users different ways to meet their applications.



Wall mount bracket

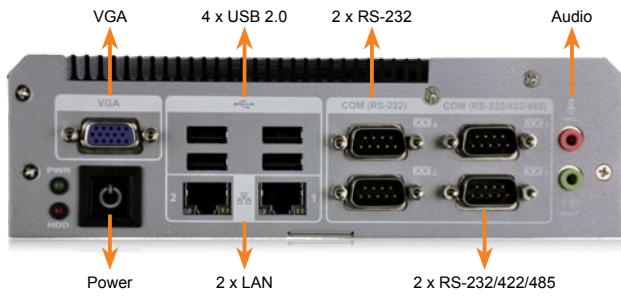


DIN-Rail

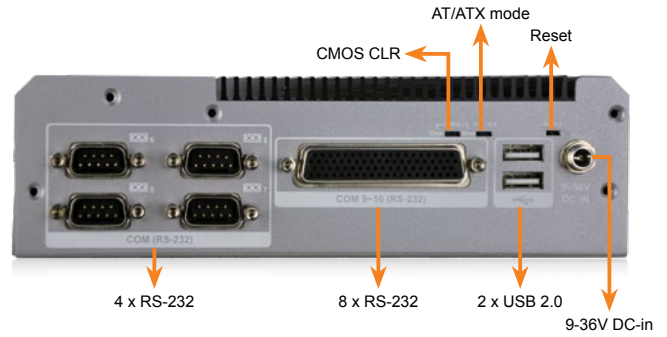


VESA 100

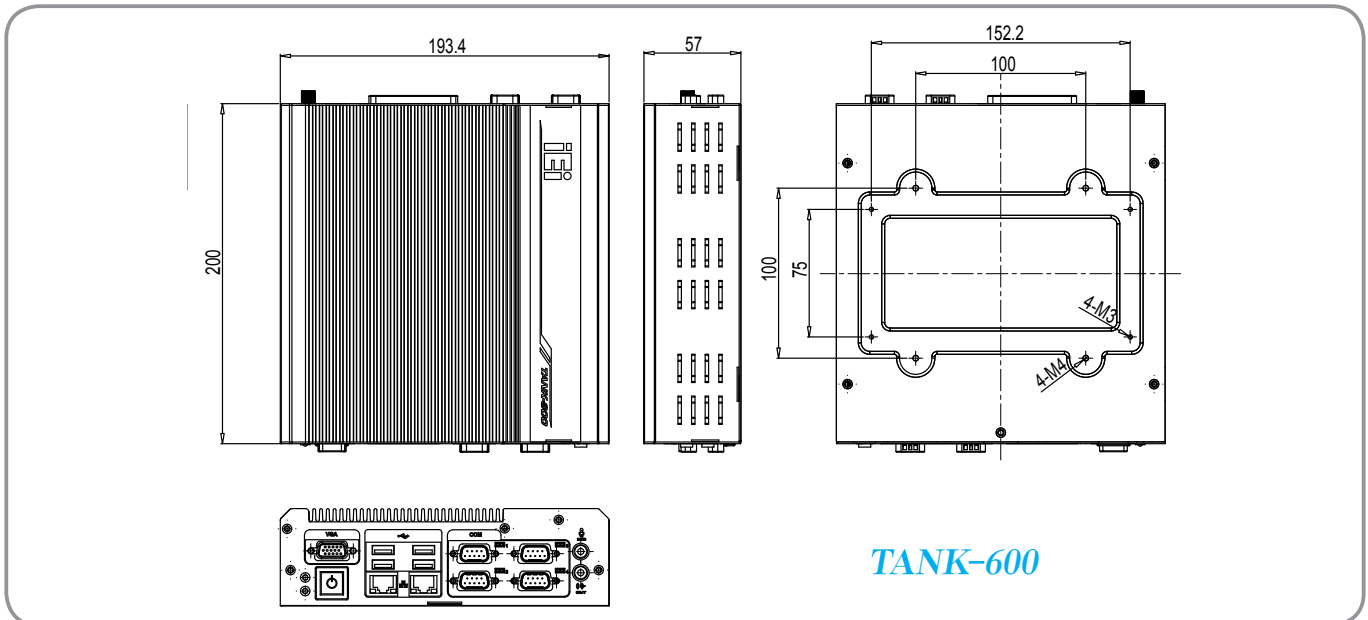
Front View



Rear View



Dimensions (Unit: mm)



Ordering Information

Part No.	Description
TANK-600-CV-D2550-16C/4G-R10	Extend temperature Fanless embedded system with Intel® Cedarview D2550 dual core 1.86GHz CPU, with 4G DDR3 RAM on-board, 1 x VGA, Dual GbE LAN, 6 x USB 2.0, 2 x RS-232/422/485, 14 x RS-232, R10, RoHS
TANK-600-CV-N2600-16C/2G-R10	Extend temperature Fanless embedded system with Intel® Cedarview N2600 1.6 GHz processor dual core CPU, with 2G DDR3 RAM on-board, 1 x VGA, Dual GbE LAN, 6 x USB 2.0, 2 x RS-232/422/485, 14 x RS-232, R10, RoHS
TANK-600-CV-D2550-8C/4G-R10	Extend temperature Fanless embedded system with Intel® Cedarview D2550 dual core 1.86GHz CPU, with 4G DDR3 RAM on-board, 1 x VGA, Dual GbE LAN, 6 x USB 2.0, 2 x RS-232/422/485, 6 x RS-232, R10, RoHS
TANK-600-CV-N2600-8C/2G-R10	Extend temperature Fanless embedded system with Intel® Cedarview N2600 1.6 GHz processor dual core CPU, with 2G DDR3 RAM on-board, 1 x VGA, Dual GbE LAN, 6 x USB 2.0, 2 x RS-232/422/485, 6 x RS-232, R10, RoHS

Options

Item	Part No.	Qty	Description
DIN-rail mounting kit	DK-84MB	1	DIN mount kit for embedded system, black, RoHS
VESA kit	AFLWK-19	1	VESA 100 mount kit

Packing List

Item	Part No.	Qty	Description
Utility CD		1	Drivers and user manual
One Key recovery CD	7B000-000938-RS	1	CD-ROM Disk, V1.3, RECOVERYV13.ISO, FOR ONE KEY RECOVERY, RoHS
Screw set		1	
Wall mount bracket	41019-1106L5-00-RS	1	WALL MOUNT BRACKET, HOLDER, NCT processing formation, TANK-600-CV, PAINTING, PMS 8401C, 41019-1106XX, NCT(N), SECC, VER:00, CCL, RoHS
Power adapter	63040-010065-010-RS	1	Adapter Power, FSP, FSP065-RAB, Vin: 90~264VAC, 65W, Dim:46.3*108.3*30mm, Plug=7.5mm, Cable=1500mm, Erp(NO LOAD 0.5W), Vout, 19VDC, Φ2.1/Φ5.5/lock, CCL, RoHS
Power cord	32702-000200-100-RS	1	POWER CORD, EUROPEAN CODE(VDE), 2, 1830MM, (A)PLUG(16A 250V)SH-005, (B)CONNECTOR(10A 250V)SH-006, Self-Man, CCL, RoHS
DB-78 to 8 COM port cable (TANK-600-CV-D2550/N2600-16C)	32005-002800-100-RS	1	8 X COM RS:232