

19" Industrial Panel PC

PPC-5190A/9455

Intel® Core™ 2 Duo Processor with Intel® 945G Platform

PPC-5190A-G41 *New*

Intel® Core™ 2 Extreme Processor with Intel® G41 Platform

Best Performance Grade for LGA 775
Quad Core + DDR3



Features

1. 19" 300nits/450nits high brightness TFT LCD with LED Backlight
2. Dual Ethernet provides continuous network service and allows sharing among different workgroups in two different subnets
3. One internal 2.5" SATA HDD and CF slot
4. Robust aluminum front bezel and metal casing
5. IP65 compliant front panel
6. IEI One Key Recovery solution allows you to create rapid OS backup and recovery (Suggest over 4GB storage capacity)



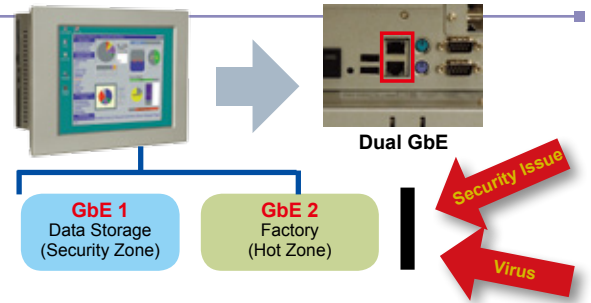
Specifications

Model		PPC-5190A/9455	PPC-5190A/G41
Display	LCD Size	19"	
	Max Resolution	1280(W) x 1024(H)	
	Brightness (cd/m ²)	300	450
	Contrast Ratio	700 : 1	1000 : 1
	LCD Color	16.7M	16.7M
	Pixel Pitch (mm) (HxV)	0.294(H) x 0.294(V)	0.294(H) x 0.294(V)
	Viewing Angle (V/H)	160° / 170°	160° / 170°
Backlight MTBF (hrs)	50000	50000	
Motherboard	SBC	POS-9455	POS-G41
	CPU	LGA 775 Socket with Intel® Core™ 2 Duo, Celeron® D with 533/800/1066 MHz	LGA 775 Intel® Core™ 2 Extreme/Quad/Duo, Celeron with a 1333/1066/800MHz FSB support
	Chipset	Intel® 945G + ICH7R	Intel® G41 + Intel® ICH7
	RAM	2 x 240-pin DIMM socket, supporting DDR2 400/533/667MHz modules for up to 4GB	2 x 240-pin DIMM socket, supporting DDR3 800/1066MHz modules for up to 4GB
I/O Ports and Switches		4 x RS-232 1 x RS-232/422/485 Port 2 x RJ-45 for LAN Port 6 x USB 2.0 1 x VGA Port Line-in, Line-out, MIC-in 2 x PS/2 mouse and keyboard interface 1 x Power Switch AT / ATX Switch 1 x LPT	4 x RS-232 1 x RS-232/422/485 Port 2 x RJ-45 for LAN Port 6 x USB 2.0 1 x VGA Port Line-in, Line-out, MIC-in 2 x PS/2 mouse and keyboard interface 1 x Power Switch AT / ATX Switch 1 x LPT
Drive Bay	HDD Driver Bay	1 x 2.5" SATA HDD bay with anti-shock	
	SSD	CF Type II	
	CD-ROM Driver Bay	SATA Slim Type CD-ROM Bay	
Expansion Slot		Either 1 x PCI or PCIe x1 expansion slot (optional)	
		1 x PCIe mini card	
Physical	Construction Front Panel	Aluminum	
	Construction Chassis	Heavy-duty Steel	
	Mounting	Panel, Wall, Rack, Stand and Arm VESA 100mm x 100mm	
	Front Panel Color	Silver (Pantone 8001C)	
	Dimensions (WxHxD) (mm)	483 x 399 x 115.2	483 x 399 x 115.2
	Cut Out Dimensions (WxH) (mm)	450 x 363	450 x 363
Environment	Net / Gross Weight	12.6 Kg / 18.2 Kg	12.6 Kg / 18.2 Kg
	Operation Temperature	-10°C~50°C	-10°C~50°C
	Storage Temperature	-20°C~60°C	-20°C~60°C
	Vibration	5~17Hz, 0.1 double amplitude displacement 17~640Hz 1.5G acceleration peak to peak	
	Shock	10G acceleration part to part (11ms)	
	IP Rating	Front IP65 Compliant	
Touch Screen	Resistive Type 5-Wire with RS-232 interface		
Power Supply	AC Input	P/N: 63000-ACEA622APPC-RS- 220W Power Supply - Input: 90VAC~264VAC, 50/60Hz - Output(max.): 3.3A@14A, 5V@16A, 12V@10A, -12V@0.8A	P/N: ACE-A622A-RS-R11 - 220W Power Supply - Input: 90VAC~264VAC, 50/60Hz - Output(max.): 3.3A@14A, 5V@16A, 12V@10A, -12V@0.8A
	DC Input	P/N: ACE-4520C-RS - 200W Power Supply - Input: 24VDC, 50/60Hz - Output(max.): 3.3A@12A, 5V@12A, 12V@15.4A, -12V@0.5A	

- 1 IEI Mobile Solutions
- 2 Automation Panel Solutions
- 3 Video Wall Controller/ Splitter
- 4 RISC-based Solutions
- 5 PACSmate Medical Solutions
- 6 Optional Peripherals

Dual 10/100/Gigabit Ethernet Support

PPC-5170 provides dual independent gigabit LAN ports. In HMI application environments, many system integrators prefer dual independent LAN to allocate factory zone and data storage zone to reduce the network collision and crash, or virus infection.



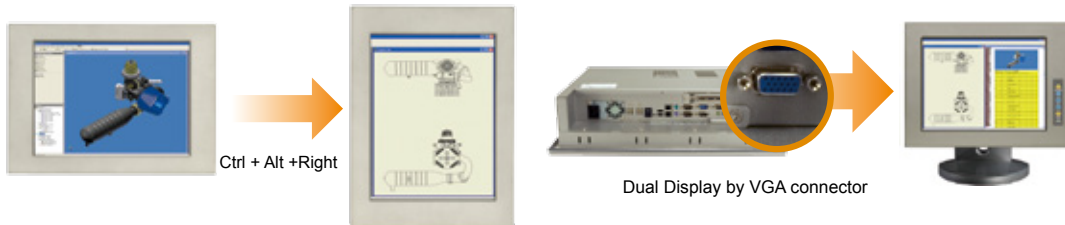
Big Screen for Multi-Display

PPC-5190 equips 19" TFT LCD which is ideal for multi-display requirement such as digital surveillance or multi-operating system. With multi-display configuration, users can handle more tasks at the same time as well as saving resource and space.



Screen Rotation for More Flexibility

Supports screen rotation function. With the Intel driver installed, the screen orientation can easily adjusted by GUI or hot keys. By attaching with a rotational VESA mount arm, the user can rotate the screen anytime as needed. Furthermore, combining with dual display function makes it a flexible panel PC.

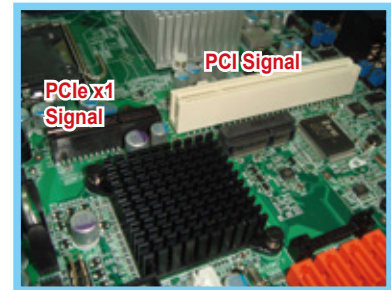


1
IEI Mobile Solutions

PCI/PCle Expansion Capability



- Capture Card
- Data Acquisition & Control Card
- Ethernet Card
- Communication Card
- Motion Control Card
- CAN bus/ Profi-Bus



2
Automation Panel Solutions

3
Video Wall Controller/ Splitter

4
RISC-based Solutions

Built-in AC/DC Power Supply

Built-in power supply without any external power adapter!



AC Input Directly!



5
PACSmate Medical Solutions

DC 24V Input

DC 48V Input



6
Optional Peripherals

PPC-51xxA-G41 with ACE-A622A

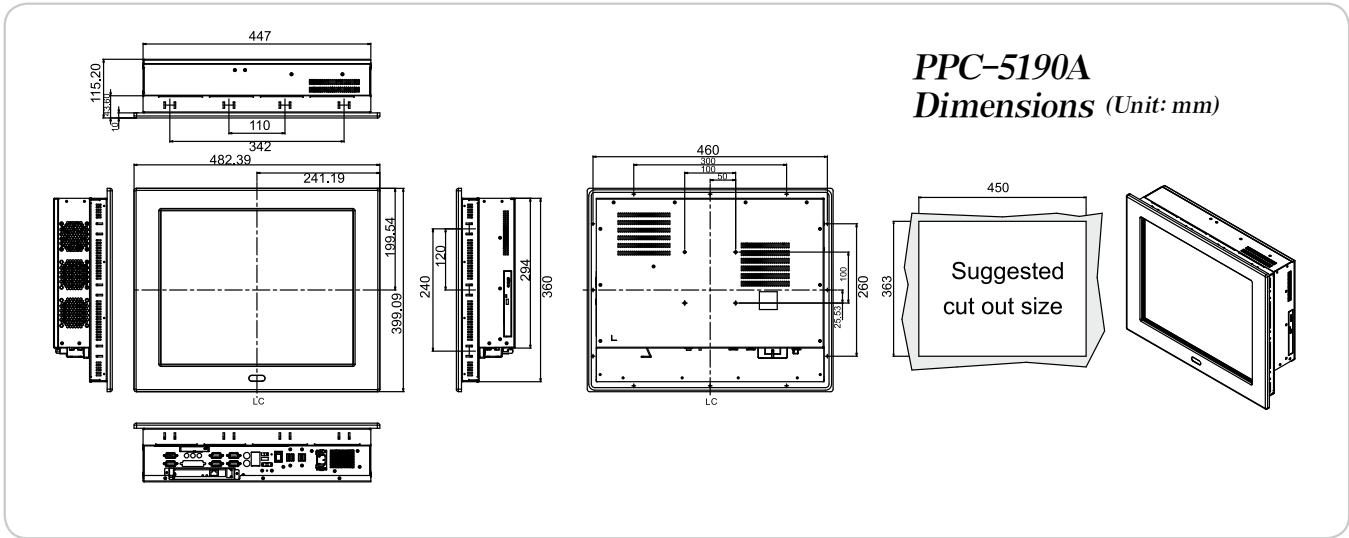


Input Range	Voltage	90~264 VAC
	Frequency	47~63 Hz
Output Voltage		220 W
Temperature	Operating	0°C~50°C
	Storage	-20°C~80°C
Efficiency		80%

PPC-51xxAD-G41 With ACE-4520C



Input Range	Voltage	24 VDC(18~36 VDC)
	Output Voltage	200 W
Temperature	Operating	0°C~50°C
	Storage	-20°C~80°C
Efficiency		78%



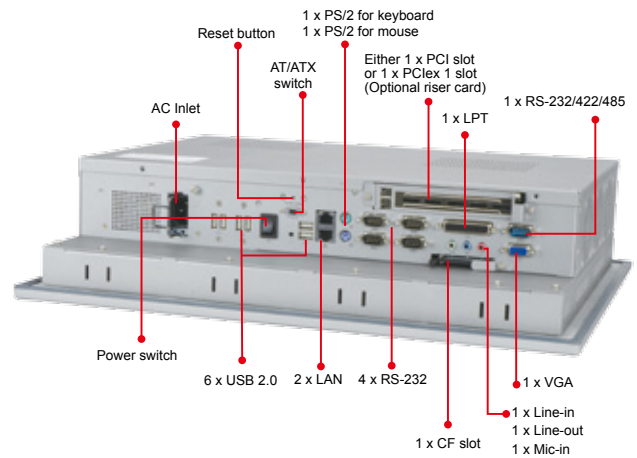
PPC-5190A
Dimensions (Unit: mm)

IQ Mounting Options

Item	Part No.
Rack Mount Kit	RK-190MS-R10
ARM	ARM-31-RS
STAND	STAND-210-R11

Options

Part No.	Description
19Z00-000112-RS	IDE CD-ROM Installation Kit (W/O IDE cable)
41019-0393C0-00-RS	IDE HDD Bracket
32200-000037-RS	25cm HDD IDE Cable



Packing List

Item	Part No.	Description
User's Manual CD-ROM		
SATA CD-ROM Cable	32803-000300-100-RS	SLIMLINE SATA 7+6 P TO SATA 7P /4P POWER ,L=200/150mm.
Power Cord	32000-000002-RS	EUROPEAN Standard ,1830MM, PLUG(16A 250V), CONNECTOR(10A 250V)
Panel Mount Kit	19Z00-000024-RS	
Wall Mount Kit	41020-016102-00-RS	
IEI One Key Recovery CD	IEI-7B000-000478-RS	
Touch Pen		

Ordering Information

Part No.		Description
Intel® 945G Platform	AC Input	PPC-5190A-R11/9455-E2160/A622A/T-R/1GB 19" 450 cd/m ² SXGA panel PC with POS-9455 R11 version,Pentium® Dual-Core E2160 1.8GHz CPU, 1GB DDR2 RAM, Silver color,PSU ACE-A622A, touch screen, RoHS
	18~36 V DC input	PPC-5190A-R11/9455-E2160/4520C/T-R/1GB 19" 450 cd/m ² SXGA panel PC with POS-9455 R11 version,Pentium® Dual-Core E2160 1.8GHz CPU, 1GB DDR2 RAM, Silver color, PSU ACE-4520C, touch screen, ,RoHS
Intel® G41 Platform	AC Input	PPC-5190A-G41-E15/R/1G-R10 19" 450 cd/m ² SXGA Panel PC with POS-G41, Celeron Dual Core E1500 2.2GHz CPU, 1GB DDR3 RAM, silver color, PSU ACE-A622A, touch screen, w/o riser card
		PPC-5190A-G41-Q94/R/1G-R10 19" 450 cd/m ² SXGA Panel PC with POS-G41, Quad Core Q9400 2.66GHz, 1GB DDR3 RAM, silver color, PSU ACE-A622A, touch screen, w/o riser card
	18~36 V DC input	PPC-5190AD-G41-E15/R/1G-R10 19" 450 cd/m ² SXGA Panel PC with POS-G41, Celeron Dual Core E1500 2.2GHz CPU, 1GB DDR3 RAM,silver color, PSU ACE-4520C, touch screen, w/o riser card
		PPC-5190AD-G41-Q94/R/1G-R10 19" 450 cd/m ² SXGA Panel PC with POS-G41, Quad Core Q9400 2.66GHz, 1GB DDR3 RAM,silver color, PSU ACE-4520C, touch screen, w/o riser card
Riser Card	PCIR-01H-R10	1-Slot PCI riser card
	PCIER-101H-R10	1-Slot PCIe x 1 riser card

PCIER-101H-R10



PCle x4 slot with PCle x1 signal riser card

PCIR-01H-R10



One Slot PCI riser card