

12.1" Industrial Panel PC

**PPC-2712GS-LX800**

AMD Geode LX800 500MHz Processor

**Fanless**

**PPC-3712A/B-N270**

Intel® Atom™ N270 Processor

**Fanless**

**PPC-3712GXS-945**

Intel® Core™2 Duo Processor with Intel® 945GM Platform



Specifications

Features

- 12.1" 500nits high brightness TFT LCD with LED Backlight
- Dual Gigabit Ethernet provides continuous network service and allows sharing among different workgroups in two different subnets
- Optional 802.11 b/g wireless kit
- One slim type CD-ROM Ddrive bay
- One internal 2.5" SATA HDD and CF slot
- Robust aluminum front bezel and metal casing
- IP65 compliant front panel

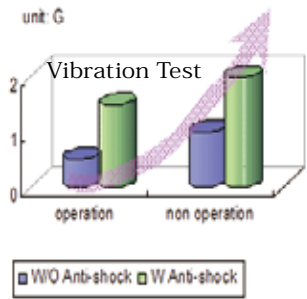
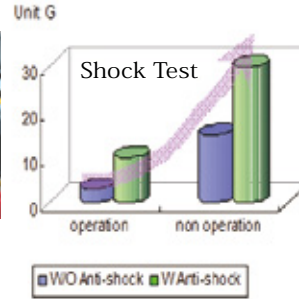
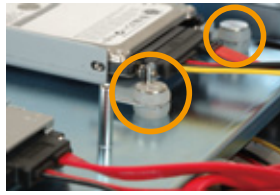


Model		PPC-2712GS-LX800	PPC-3712A-N270	PPC-3712B-N270	PPC-3712GXS-945
Display	LCD Size	12.1"			
	Max Resolution	1024(W) x 768(H)			
	Brightness (cd/m <sup>2</sup> )	500			
	Contrast Ratio	700:1			
	LCD Color	262K			
	Pixel Pitch (mm) (HxV)	0.3075(H) x 0.3075(V)			
	Viewing Angle (V/H)	160°/160°			
	Backlight MTBF (hrs)	50000 (LED Backlight)			
Motherboard	SBC	AFLMB-LX-800	NANO-945GSE-N270	NANO-945GSE-N270	NANO-9452
	CPU	AMD Geode LX800 500MHz processor	Intel® Atom process N270 1.6GHz CPU	Intel® Atom process N270 1.6GHz CPU	Socket M Intel® Core™2 Duo, Core Duo, Core Solo with 667MHz FSB Intel® Celeron® M 533MHz FSB
	Chipset	AMD Geode LX800 + AMD CS5536	Intel® 945GSE + ICH7M	Intel® 945GSE + ICH7M	Intel® 945GME + ICH7M
	RAM	1 x 200-pin SO-DIMM socket, supporting DDR 333/400MHz modules for up to 1GB	1 x 200-pin SO-DIMM socket, supporting DDR2 533MHz modules for up to 2GB	1 x 200-pin SO-DIMM socket, supporting DDR2 533MHz modules for up to 2GB	1 x 200-pin SO-DIMM socket, supporting DDR2 400/533/667MHz modules for up to 2GB
I/O Ports and Switches		2 x RS-232 2 x RJ-45 for 10/100Mbps LAN 4 x USB 2.0 1 x VGA Port Line-out 1 x PS/2 mouse and keyboard interface 1 x 12VDC input Power Jack 1 x Power Switch 1 x Reset Button	2 x RS-232 1 x RS-232 (Alternative to RS-422/485) 2 x RJ-45 for LAN Port 2 x USB 2.0 1 x VGA Port Line-in, Line-out, MIC-in 1 x PS/2 mouse and keyboard interface 1 x 12VDC input Power Jack 1 x Power Switch	2 x RS-232 1 x RS-232 (Alternative to RS-422/485) 2 x RJ-45 for LAN Port 4 x USB 2.0 1 x VGA Port Line-in, Line-out, MIC-in 1 x PS/2 mouse and keyboard interface	2 x RS-232 1 x RS-232 (Alternative to RS-422/485) 2 x RJ-45 for LAN Port 2 x USB 2.0 1 x VGA Port Line-in, Line-out, MIC-in 1 x PS/2 mouse and keyboard interface 1 x 12VDC input Power Jack 1 x Power Switch
	HDD Driver Bay	1 x 2.5" IDE HDD Bay		1 x 2.5" SATA HDD Bay	
Drive Bay	SSD	CF Type II			
	CD-ROM Driver Bay	N/A	SATA Slim Type CD-ROM Bay	SATA Slim Type CD-ROM Bay	SATA Slim Type CD-ROM Bay
Expansion Slot	1 x Mini PCI card	1 x PCIe mini card	1 x PCIe mini card	1 x PCIe mini card	
Physical	Construction Front Panel	Aluminum Die-casting			
	Construction Chassis	Heavy-duty Steel (SECC)			
	Mounting	Panel, Wall, Rack, Stand and Arm VESA 100mm x 100mm			
	Front Panel Color	Silver (Pantone 8001C)			
	Dimensions (WxHxD) (mm)	340 x 260 x 62	340 x 277 x 73.4	340 x 260 x 74.8	340 x 277 x 73.4
	Cut Out Dimensions (WxH) (mm)	313 x 233	313 x 233	313 x 233	313 x 233
	Net/Gross Weight	2.8 Kg / 5.7 Kg	6 Kg / 8 Kg	6 Kg / 8 Kg	6 Kg / 8 Kg
System Cooling	Fanless	Fanless	Fanless	Active with Fan	
Environment	Operation Temperature	-10°C~50°C			
	Storage Temperature	-20°C~60°C			
	Vibration	5~17Hz, 0.1 double amplitude displacement 17~640Hz 1.5G acceleration peak to peak			
	Shock	10G acceleration part to part (11ms)			
Touch Screen	Resistive Type 5-Wire with RS-232 interface				
Power Supply	AC Input	P/N: 663000-FSP050DBAB1405-RS 50W Power Adapter Input: 90VAC~264VAC, 50/60Hz Output: 12VDC	P/N: 63000-FSP060DBAB1554-RS 60W Power Adapter Input: 90VAC~264VAC, 50/60Hz Output: 12VDC	P/N: ACE-890A-RS 86W Power Supply Input: 90VAC ~ 264VAC Output: 12VDC	P/N: 63000-FSP084DMBA1308-RS 84W Power Adapter Input: 90VAC~264VAC,50/60Hz Output: 12VDC
	DC Input	-	-	P/N: ACE-709TX-RS 90W Power Supply Input: 36VDC ~ 72VDC Output: 12VDC	-

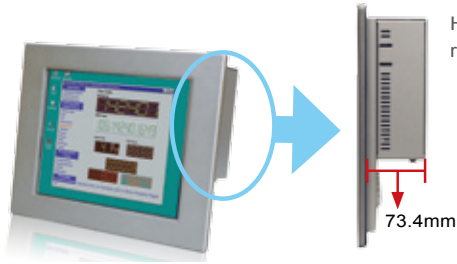
## 2.5" SATA Hard Drive with anti-vibration protection

### Anti-Shock Protection

All new anti-shock design enhances protection performance of hard drives dramatically in terms of shock and vibration tests.



## High Performance & Compact Size



High performance and compact size allow users to set up the PPC-3712GXS in a wide range of applications



Dual Display



SATA Transmission



High Performance

## IEI's New PPC-3712BA/BT Supports More Features as :

85~264V AC or 36~72 V DC power supply built-in without external power adapter

Without External Power Adapter!



DC 48V Input for Transportation Application!



A: PPC-3712BA- N270/890/ R1G-R20

ACE-890A  
86 W AC-DC Open Frame AT Power Supply

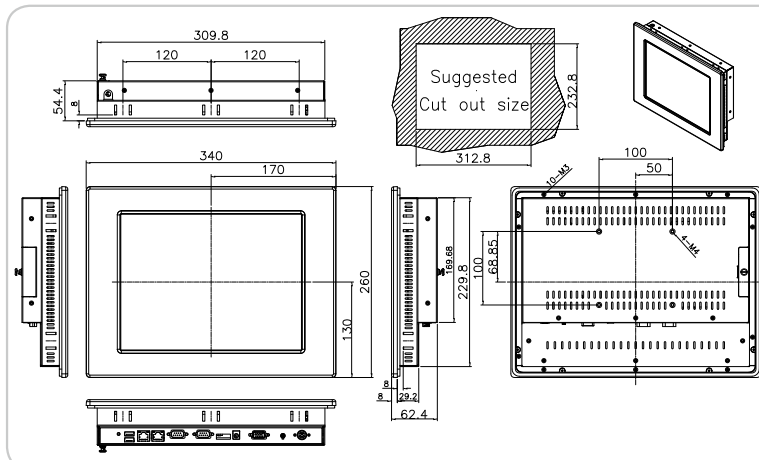


B: PPC-3712BT- N270/709/ R1G-R20

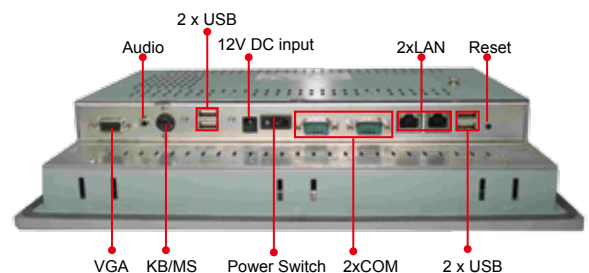
ACE-709TX  
36~72 VDC Input Open Frame ATX Power

Input Type	85 ~ 264 VAC Full Range			
Output Voltage	+5 V	+12 V	-12V	
ACE-890A	10A	2.5 A	0.5A	
Efficiency	70%			
Temperature	Operating : 0 °C~ 50 °C, Storage : -20 ~ 85 °C			
MTBF(hrs)	268,000			

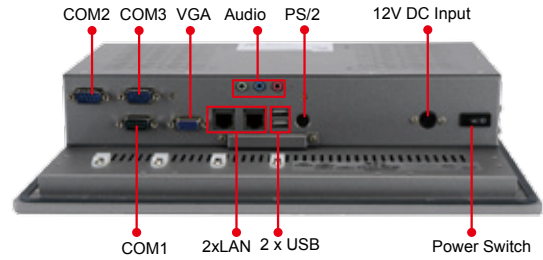
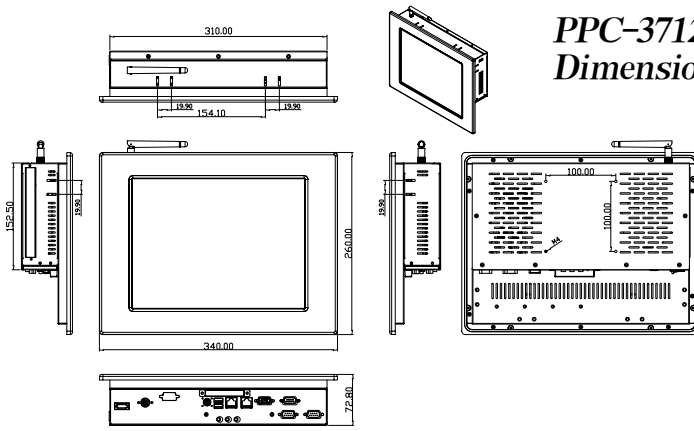
Input Type	36 ~ 72 VDC (ACE-709TX)			
Output Voltage	+5 V	+12 V	-12V	+5 Vsb
ACE-890A	10A	2.5 A	0.5A	0.5A
Efficiency	70%			
Temperature	Operating : -20 °C~ 70 °C , Storage : -20 °C~ 85 °C			
MTBF(hrs)	170,000			



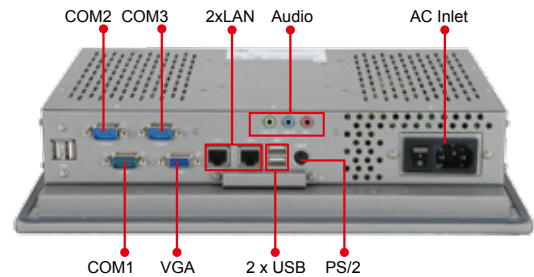
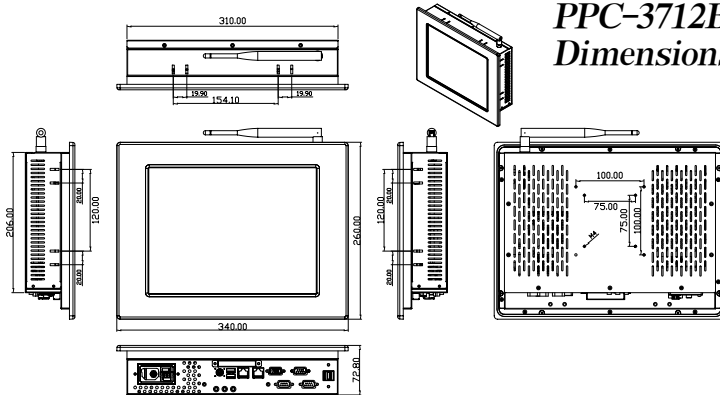
### PPC-2712GS Dimensions (Unit: mm)



**PPC-3712A/PPC-3712GXS-945**  
**Dimensions (Unit: mm)**

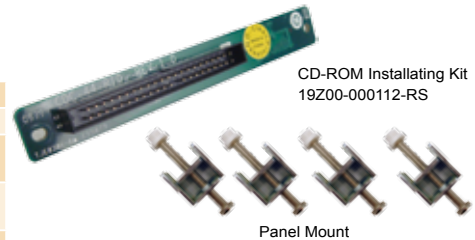


**PPC-3712B**  
**Dimensions (Unit: mm)**



**Packing List**

Item	Part No.	Description
Screw Kit	19600-000207-RS	
SATA CD-ROM Cable	32801-006300-100-RS	SATA 7+6P FEMALE 180°;SATA 7P FEMALE 90°+LOCK;DU PONT 2*4P P=2.54 FEMALE
Power Cord	32702-000200-100-RS	EUROPEAN Standard ,1830MM, PLUG(16A 250V), CONNECTOR(10A 250V)
Power Adapter	663000-FSP050DBAB1405-RS	50W, 90VAC~264VAC for PPC-2712G
	63000-FSP060DBAB1554-RS	60W, 90VAC~264VAC for PPC-3712A
	63000-FSP084DMBA1308-RS	84W, 90VAC~264VAC for PPC-3712G
PS/2 Cable	32006-000300-100-RS	1 x MINI DIN 6PIN MALE; 2 x MINI DIN 6PIN FEMALE
Panel Mounting Kits	19Z00-000024-RS	
Wall Mounting Kit	41014-057602-00-RS	ULTRA SET PLATE
	41020-016102-00-RS	WALL MOUNT BRACKET
IEI One Key Recovery CD	IEI-7B000-000478-RS	
Touch Screen Driver CD / Touch Pen		
User Manual & Driver CD	IEI-7B000-000519-RS	FOR PPC-27xxG-LX SERIES
	IEI-7B000-000520-RS	FOR PPC-37xxG-945/N270 SERIES



**IQ Mounting Options**

Item	Part No.
Rack Mount Kit	RK-121MS-R10
ARM	ARM-11-RS
STAND	STAND-100-RS

**Options**

Item	Part No.	Description
RS-422/485 Cable	32200-075202-RS	(A) D-SUB 9PIN MALE (B) DU PONT 2*7P P=2.0 FEMALE
IDE CD-ROM Installing Kit	19Z00-000112-RS	50-pin CD ROM connector to 44-pin IDE connector transfer board
HDD IDE Cable	32200-000037-RS	250MM, IDE 44-pin

**Ordering Information**

Part No.	Description
<b>AMD LX800</b>	PPC-2712GS-LX/R/256M-R20 12.1" 500 cd/m <sup>2</sup> XGA Fanless Panel PC with AFLMB-LX-800,Silver Color & Touch Screen,256MB DDR RAM,R20,RoHS
<b>Intel® N270</b>	AC Power Adapter PPC-3712A-N270/R/1G-R20 12.1" 500 cd/m <sup>2</sup> XGA Fanless Panel PC,Intel® Atom™ N270 1.6GHz/ 512KB,1GB DDR2,Res T/S,Sliver Color,R20,RoHS
	AC Power Supply Built-in PPC-3712BA-N270/890/R/1G-R20 12.1" 500 cd/m <sup>2</sup> XGA Fanless Panel PC,Intel® Atom™ N270 1.6GHz/ 512KB,1GB DDR2,Res T/S,Sliver Color,w/ACE-890A,R20,RoHS
	36VDC ~ 72VDC Input PPC-3712BT-N270/709/R/1G-R20 12.1" 500 cd/m <sup>2</sup> XGA Fanless Panel PC,Intel® Atom™ N270 1.6GHz/ 512KB,1GB DDR2,Res T/S,Sliver Color,w/ACE-709TX,R20,RoHS
<b>Intel® 945GME</b>	PPC-3712GXS-945-C4/R/1G-R30 12.1" 500 cd/m <sup>2</sup> XGA TFT Panel PC with NANO-9452,C-M 1.86GHz,Silver color,T/S,1GB DDR2 RAM,R30,RoHS
	PPC-3712GXS-945-T5/R/1G-R30 12.1" 500 cd/m <sup>2</sup> XGA TFT Panel PC with NANO-9452,Intel® Core Duo 1.66GHz T5500,Silver color,T/S,1GB DDR2 RAM,R30,RoHS