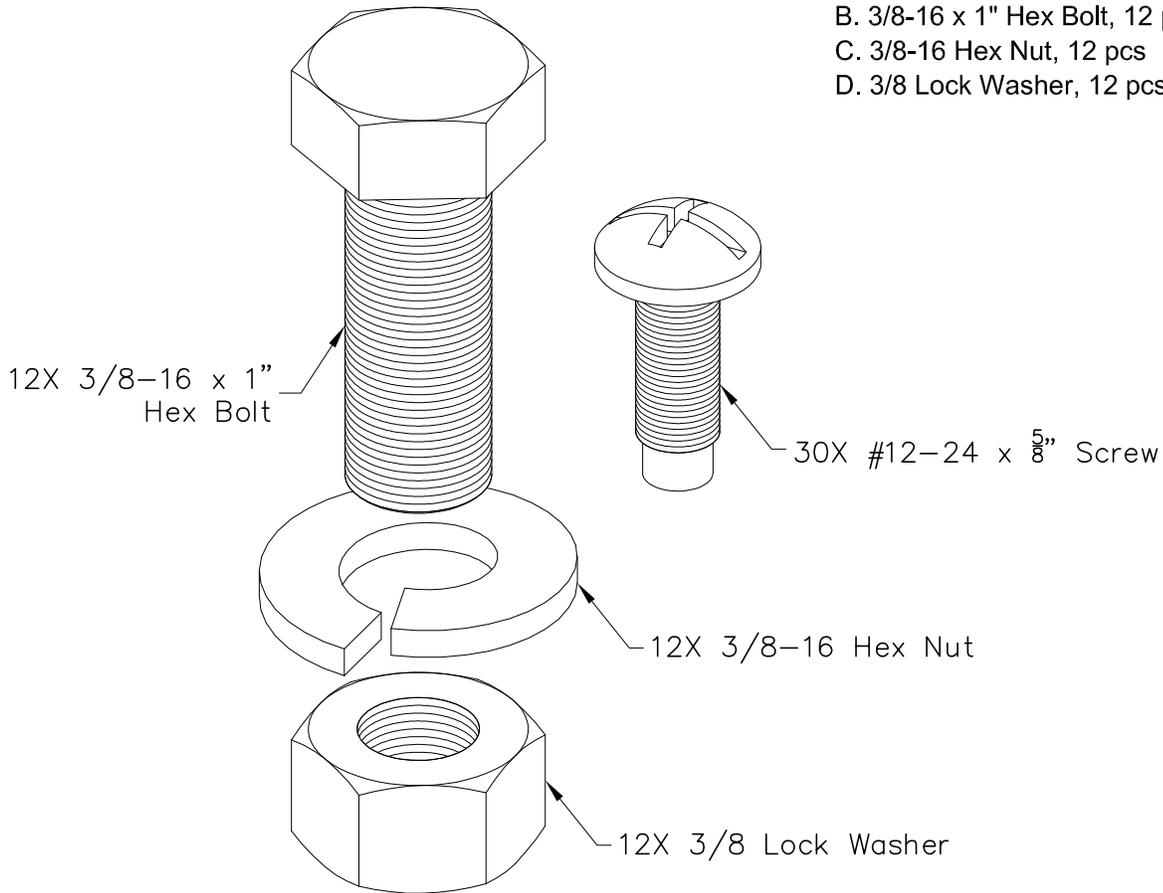


Rack Hardware

PRODUCT SPECIFICATION

Package includes:

- A. #12-24 x 5/8" Pan Head, Pilot Point Machine Screw, 30 pcs
- B. 3/8-16 x 1" Hex Bolt, 12 pcs
- C. 3/8-16 Hex Nut, 12 pcs
- D. 3/8 Lock Washer, 12 pcs



NOTE: UNLESS OTHERWISE SPECIFIED

1. ITEM NUMBER: BK-BLACK OXIDE

Features and Benefits:

- Used with ICCMSR and ICCMSA distribution racks
- Available in black oxide

RACK HARDWARE, 30 PK

ITEM NO. ICACSBWSBK
 DWG NO. PSACSBWS00

REV. B
 PAGE NO. 1



CUSTOMER CARE / TECHNICAL SUPPORT * CSR@ICC.COM / 888-ASK-4-ICC (275-4422) * 16800 Edwards Road, Cerritos, CA 90703 * Phone 562-356-3111 * Fax 562-356-3100 * www.icc.com