



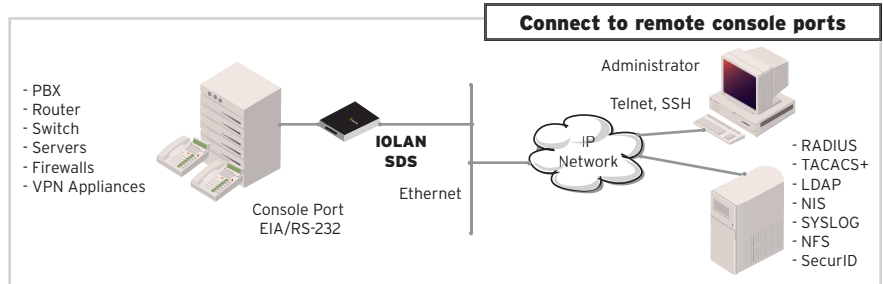
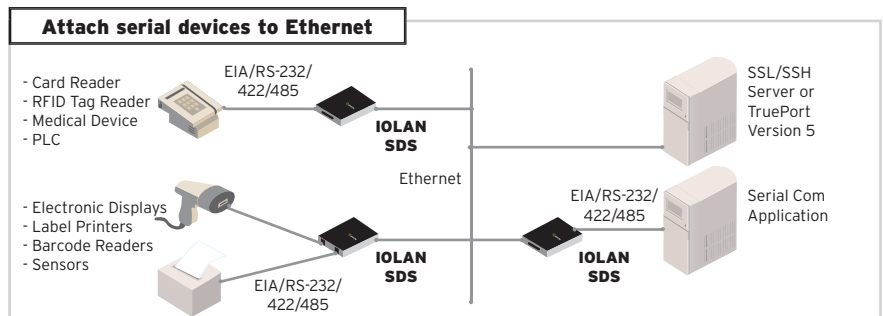
For serial to Ethernet connectivity applications, the IOLAN SDS is the most advanced series of device servers available. Delivering high performance in a compact size, an IOLAN SDS offers extensive security, flexibility and next generation IP technology making it ideal for applications that require remote device/console management, data capture or monitoring. Available in 1 and 2 port sizes, the IOLAN SDS series has the right fit for your serial application needs.

Features and Benefits

- Software selectable EIA/RS-232/422/485 serial to Ethernet interface prevents mechanical tampering in the field
- AES, 3DES encryption over SSH or SSL sessions
- Next Generation IP support (IPV6) for investment protection and network compatibility
- High performance in a space saving compact size
- Port buffering for data capture and analysis
- For console management applications, powerful authentication schemes prevent unauthorized access
- Protective solid steel enclosure
- Power over serial cable eliminates costs of a separate power installation
- DIN Rail mounting option for Industrial Automation applications
- IOLAN+ configuration mode - easy transition for IOLAN+ users
- Perle Lifetime warranty for security and peace of mind

Secure Serial Connectivity

IOLAN SDS device servers enable administrators to securely access remote serial console ports on equipment such as PBX, servers, routers, network storage equipment and security appliances through an IP network. Sensitive data such as credit card holder information is protected through standard encryption tools such as Secure Shell (SSH) and Secure Sockets Layer (SSL).



Advanced IP Technology

With support for Next Generation IP (IPV6), an IOLAN SDS provides organizations with the investment protection today to meet the compatibility needs of networks tomorrow.

Flexible and Reliable Serial to Ethernet Connections

An IOLAN SDS is ideal for connecting serial based COM port, UDP or TCP socket based applications to remote devices. Perle's TruePort V5 re-director provides fixed TTY or COM ports to serial based applications enabling communication with remote devices connected to Perle device servers either in encrypted or clear text modes. You can also tunnel serial data between devices across an IP network.

Perle's Device Management software provides better centralized control of multiple units resulting in maximum uptime for your remote equipment.

All IOLAN SDS models have added protection against electrostatic discharges and power surges with robust 15Kv ESD protection circuitry enabling organizations to utilize this solution in the field with confidence.

Class Leading Support and Warranty

The Perle IOLAN SDS is backed by the best service and support in the industry including Perle's unique lifetime warranty. Since 1976 Perle has been providing its customers with networking products that have the highest levels of performance, flexibility and quality.

Technical Specifications

Processor

IOLAN SDS1, SDS2:

- MPC852T, 66 Mhz, 87 MIPS

Network/Ethernet

IOLAN SDS1, SDS2

- 1 x 10/100Mb RJ45

Protocols

- IPv6, IPv4, TCP/IP, Reverse SSH, SSH, SSL, CIDR, RIPV2/MD5, ARP, RARP, UDP, UDP Multicast, ICMP, BOOTP, DHCP, TFTP, SNMP, Telnet, raw, reverse Telnet, LPD, RCP, DNS, WINS, HTTP, HTTPS, SMTP, SNMPV3

Security and Authentication

- SSHV1 and SSHV2
- SSL V3.0/TLS V1.0, SSL V2.0
- SSL Server and SSL client mode capability
- Encryption: AES (256/192/128), 3DES, DES, Blowfish, CAST128, ARCFour(RC4), ARCTWO(RC2)
- Hashing Algorithms: MD5, SHA-1, RIPEMD160, SHA1-96, and MD5-96
- Key exchange: RSA, EDH-RSA, EDH-DSS, ADH
- X.509 Certificate verification: RSA, DSA
- Certificate authority (CA) list
- Local database
- RADIUS Authentication and Accounting
- TACACS+, LDAP, NIS, Kerberos
- RSA SecureID-agent or via RADIUS
- IP Address filtering
- Disable unused daemons

Management

- Web browser or secure web browser via https (SSL/TLS)
- Perle DeviceManager software to manage single or multiple device servers
- CLI – Telnet, SSH, shared console port
- IOLAN+ configuration mode on SDS2
- SNMP, MIB II, Perle MIB, read and write capabilities
- SYSLOG
- Port Buffering – local or 3DES encrypted to NFS server

Serial Port(s)

- Software selectable EIA/RS-232/422/485
- Full modem and hardware flow control
- 50bps to 230Kbps for EIA-232
- up to 3.6Mbps for EIA-422/485
- DB25M connector on SDS1 and RJ45 10 pin on SDS2
- SUN Break Safe
- Full bidirectional modem support
- 15Kv ESD protection on all signals

Interface Modes

- EIA 232 full duplex
- EIA 422 full duplex
- EIA 485 4 wire, full duplex
- EIA 485 2 wire, half duplex, with echo
- EIA 485 2 wire, half duplex, without echo

Indicators

- Power/Ready
- Network Link activity
- Serial: Transmit and Receive data LEDs

Dimensions, Weight

IOLAN SDS1/SDS2

- Dimension (L x W x H)
9.0 x 6.4 x 2.3 (cm), 3.5 x 2.5 x 0.9 (in)
- Weight – 0.35 kg (0.8lb)

Power

- 120 VAC (USA)
- 100-240 VAC (International)
External power adapter included with North American and International models
- Power via External power 9-30V DC, 4.8 Watts – standard barrel socket
- IOLAN SDS over serial cable (9-30VDC)
- Power peripheral devices from one serial port

Fixed TTY/COM Port Emulation Software

- TruePort
- IOLAND

Environmental

- Operating temperature:
0°C to 55°C, 32°F to 131°F
- Storage temperature:
-40°C to 66°C, -40°F to 150°F

Approvals

- FCC Part 15A, CE, CAN/CSA 22.2, UL 60950, EN 55022 Class A, EN 55024 Class A

Warranty

- Limited lifetime warranty

Model	Features						Part Number		
	Ethernet	Serial Ports	Form Factor	Serial Connector	External 9-30V DC	Power Over Serial Cable	USA	Europe	UK
IOLAN SDS1	10/100	1	Desk	DB-25M	●	●	04030024	04030022	04030021
IOLAN SDS2	10/100	2	Desk	RJ45-10	●	●	04030104	04030102	04030101

Perle products available from:



Perle Systems Inc.
830 Fesslers Parkway, Suite #106
Nashville, TN 37210
www.perle.com

Contact Perle
Tel. 800 GO PERLE
Fax 615 748 1678
info@perle.com

Perle products are constantly reviewed and updated to meet customers' needs, as such specifications and capabilities are subject to change without notice. We endeavor to keep product descriptions as current as possible; for the latest up-to-date information, please visit our web site at www.perle.com. Perle is a registered trademark of Perle Systems. All other product names are trademarks of their respective holders. Copyright©Perle.