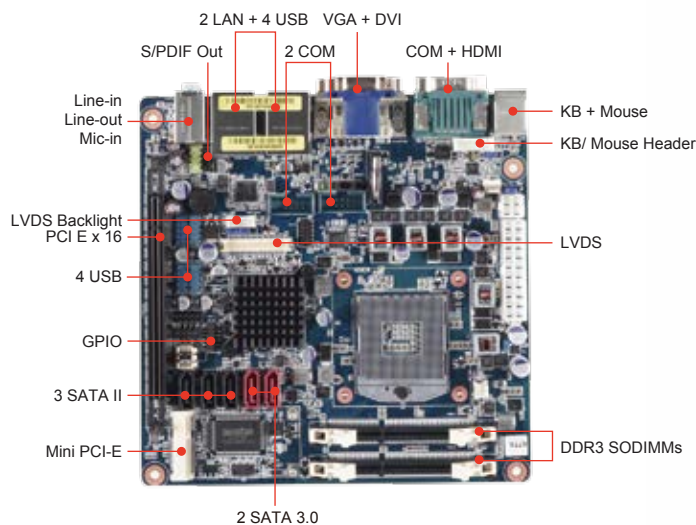


# AMB-QM77T1

Intel QM77 with Core i7/ i5/ i3 Mini-ITX Motherboard, DDR3-1600, SATA III, USB 3.0, Gen.3 PCIe x16, DVI-D, VGA, COM, GbE, TPM

ATX



## Features

- Supports Intel 22nm/ 32nm Intel Core i7/ i5/ i3 Mobile processors 2 x 204-pin
- SO-DIMM sockets support DDR3 1600/ 1333 SDRAM up to 16GB
- 3 x COM, 4 x USB3.0, 8 x USB2.0, 2 x SATA III, 3 x SATA II, 8-bit GPIO
- 1 x Gen.3 PCI-E x16, 1 x Mini-PCI-E, 1 x CFast



Embedded SBC

## Specification

### Specification

<b>CPU</b>	Intel rPGA988 Socket supports 22/32nm Intel Core i7/ i5/ i3/Pentium/ Celeron Mobile CPU
<b>Chipset</b>	Intel QM77 Express Chipset
<b>Memory</b>	Two 204-pin SO-DIMM support DDR3-1600/1333 SDRAM, Non-ECC up to 16GB
<b>Video</b>	
<b>Graphic Controller</b>	<ul style="list-style-type: none"> <li>Intel GMA HD 4000/ 2500 (22nm CPU)</li> <li>Intel GMA HD 3000/ 2000 (32nm CPU)</li> </ul>
<b>Video Memory</b>	Shared Memory, up to 256MB
<b>Video Interface</b>	<ul style="list-style-type: none"> <li>1 x VGA (DB15)</li> <li>1 x HDMI</li> <li>1 x DVI-D</li> <li>1 x LVDS</li> </ul>
<b>Ethernet</b>	
<b>Ethernet Chip</b>	<ul style="list-style-type: none"> <li>Intel 82579LM GbE LAN supports iAMT 8.0</li> <li>Intel 82583V GbE LAN</li> </ul>
<b>Ethernet</b>	2 x Gbps RJ45 with LED
<b>Storage</b>	
<b>SATA</b>	2 x SATA III ports + 3 x SATA II ports
<b>CFast</b>	1 x CFast (back side)
<b>I/O</b>	
<b>Expansion Slot</b>	<ul style="list-style-type: none"> <li>1 x PCI-E x16 Gen.3 slot</li> <li>1 x Mini PCI-E slot</li> </ul>
<b>Serial Port</b>	3 x RS232 ports (1 x DB9, 2 x Pin Header with 5V/12V)
<b>USB</b>	4 x USB 3.0 (Rear), 8 x USB2.0 (Pin Header)
<b>GPIO</b>	8-bit Digital I/O, 4-bit DI and 4-bit DO
<b>Parallel Port</b>	-
<b>PS/2</b>	1 x PS/2 KB and 1 x PS/2 MS
<b>Audio</b>	Realtek ALC892
<b>Hardware Feature</b>	
<b>Hardware Monitoring</b>	<ul style="list-style-type: none"> <li>Monitoring temperature, voltage, and cooling fan status.</li> <li>Auto throttling control when CPU overheats</li> </ul>
<b>WatchDog Timer</b>	Software programmable 1~255 sec./min (+/- 5%)
<b>TPM</b>	TPM 1.2 by Infineon SLB9635
<b>Power Requirement</b>	
<b>Power Input</b>	<ul style="list-style-type: none"> <li>1 x 24-pin ATX Power Connector</li> <li>1 x 4-pin ATX 12V Power Connector</li> </ul>
<b>Power Consumption</b>	-
<b>Power State</b>	S1, S3, S4, S5

### Mechanical & Environment

**OS Support** Windows XP / Win7 32/64 bit

### Mechanical & Environment

**Dimension** 6.69" x 6.69" (170 mm x 170 mm), Mini-ITX Form-factor  
**Weight** 0.77 lbs (0.35 Kg)  
**Operating Temp.** 0~60°C(32~140°F)  
**Storage Temp.** -20~80°C (-4~176°F)  
**Relative Humidity** 0 to 90% , non-condensing  
**Safety** CE/FCC class B

### Packing List

- 1 x AMB-QM77T1
- 1 x Driver CD
- 1 x Quick Guide
- 1 x IO Shield
- 2 x COM1 Cable 9P (L=260mm)
- 1 x SATA Cable 2in1 (L=500mm)
- 1 x Cooler 60x60x40.1 PGA Silver

### Ordering Information

**AMB-QM77T1** Intel QM77 with CoreTM i7/ i5/ i3 Mini-ITX Motherboard, DDR3-1600, SATA III, USB 3.0, Gen.3 PCIe x16, DVI-D, VGA, COM, GbE, TPM