

15.6" Wide Modular Expansion Panel PC

AFL2-W15A-N270

Intel® Atom™ Solution

AFL2-W15A-L325

AMD 780E Solution



Features

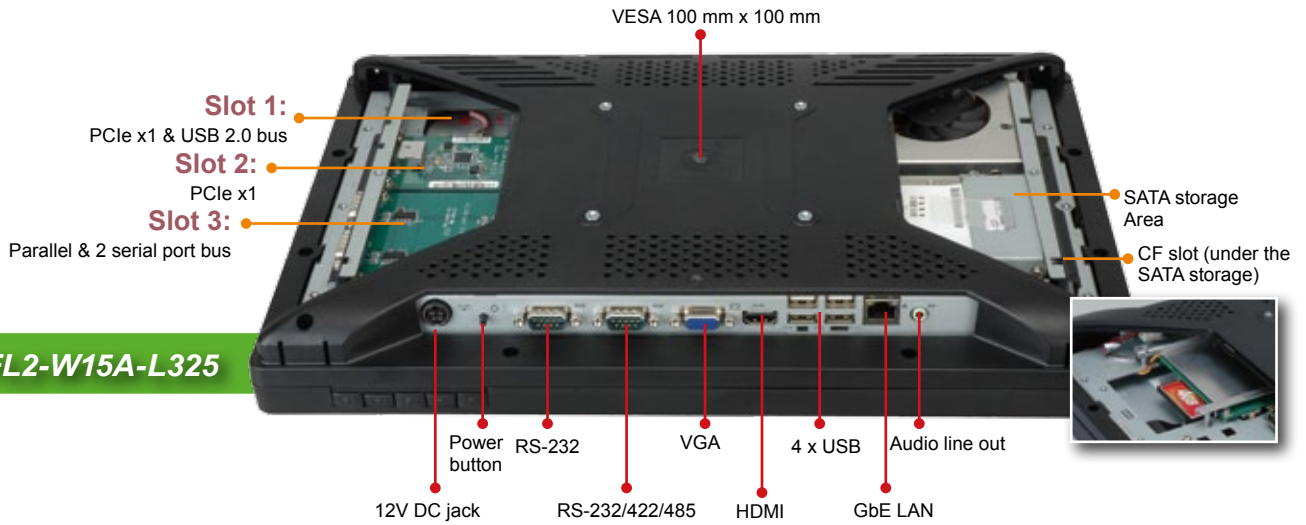
- 15.6" 1366 x 768 projected capacitive multi-touch screen
- Flat-bezel front panel
- Diverse expansion modules for flexible expansion
- Integrated EM or Mifare RFID reader
- Gigabit Ethernet, Wi-Fi 802.11 b/g/n
- IP 64 compliant front panel

Specifications

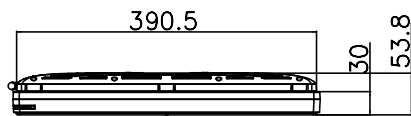
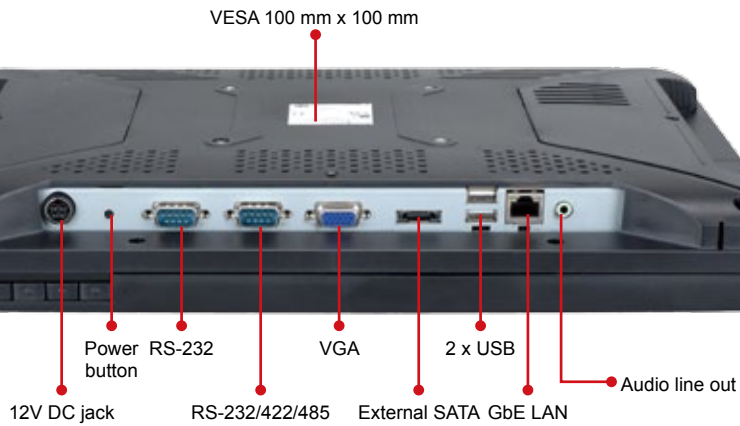


	Model	AFL2-W15A-N270	AFL2-W15A-L325	
LCD Specifications	Size	Wide 15.6" TFT LCD		
	Resolution	1366 x 768		
	Brightness	250 cd/m ²		
	Contrast Ratio	500:1		
	LCD Color	16.2 M		
	Pixel Pitch (mm)	0.252 (H) x 0.252 (V)		
	Viewing Angle (H-V)	110° (H) / 85° (V)		
	Backlight MTBF	50000 hrs (LED backlight)		
System	CPU	Intel® Atom™ processor N270 1.6 GHz CPU	AMD ASB1 L325 dual core 1.5 GHz CPU	
	Chipset	Intel® 945GSE + ICH7M	AMD 780E + SB710	
	RAM	Support one 400 MHz or 533 MHz DDR2 SO-DIMM (2 GB max.)	Support two 400 MHz or 533 MHz DDR2 SO-DIMM (4 GB max.)	
	SSD	CF Type II	CF Type II	
	HDD	1 x 2.5" SATA HDD Bay	1 x 2.5" SATA HDD Bay	
	Watchdog Timer	Software programmable supports 1~255 sec. system reset	Software programmable supports 1~255 sec. system reset	
	Input / Output	1 x RS-232 COM port	1 x Audio port (Line out)	1 x RS-232 COM port 1 x Audio port (Line out)
		1 x RS-232/422/485 COM port	1 x VGA	1 x RS-232/422/485 COM port 1 x VGA
		1 x RJ-45 for GbE LAN	1 x Power jack	1 x RJ-45 for GbE LAN 1 x Power jack
		2 x USB 2.0	1 x External SATA	4 x USB 2.0 1 x HDMI
1 x Power switch		1 x 8-bit digital I/O, 4-bit input/4-bit output (optional)	1 x Power switch 1 x 8-bit digital I/O, 4-bit input/4-bit output (optional)	
1 x Reset button				
Expansion Interface	N/A	2 x PCIe x1, 1 x Parallel port expansion, 2 x Serial port expansion * USB signal not supported on slot 2		
Other Features	Audio	AMP 1.5 W + 1.5 W (internal speaker)		
	Camera	1.3 M pixels with low light function		
	RFID Reader	EM 125 KHz or Mifare 13.56 MHz card reader (optional)		
	OSD Function	LCD on/off, brightness up/down, volume up/down		
	Ambient Light Sensor	Yes		
	Infrared Remote Controller	LCD on/off, brightness up/down, volume up/down		
	Touch Screen	Projected capacitive type flat touch screen/ Resistive type 5-wire flat touch screen		
Wireless	1 x Wireless LAN 802.11 b/g/n module (internal PCIe Mini card interface)			
Physical	Construction Front Panel	ABS + PC plastic front frame		
	Mounting	VESA 100 mm x 100 mm		
	Color	Black C		
	Dimensions (mm)	400 (W) x 267 (H) x 54 (D)		
	Weight (N/G)	3.8 kg		
Environment	Temperature (°C)	Operation: -10°C ~ 50°C, Storage: -20°C ~ 60°C		
	IP Level	IP 64 compliant front panel		
	Safety & EMI	CE / FCC		
Power	Power Supply	60W power adapter Input: 90VAC~264VAC, 50/60 Hz Output: 12VDC	84W power adapter Input: 90VAC~264VAC, 50/60Hz Output: 12VDC	
	Power Requirement	12VDC		
	Power Consumption	12V@4.25A (Intel® ATOM™ N270 CPU with 667MHz 2GB DDR2 memory)	12V@5.67A (AMD® ASB1 L325 CPU with 667MHz 2GB DDR2 memory)	

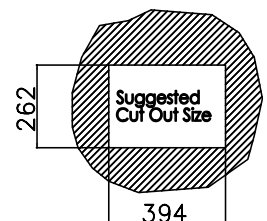
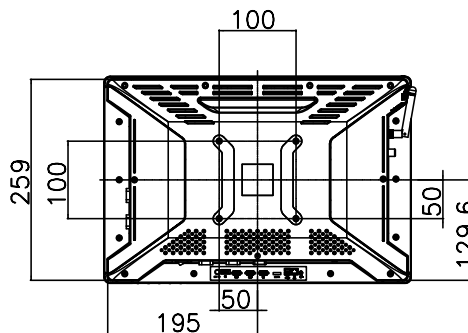
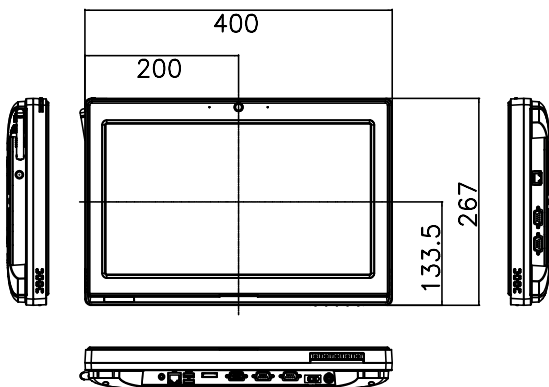




AFL2-W15A-N270



AFL2-W15A
 Dimensions (Unit: mm)



Ordering Information

Resistive Type Touch		
Intel® Atom™	AFL2-W15A-N270/R/1G-R12	15.6" 250cd/m ² WXGA+ fanless panel PC with Intel® Atom™ N270 1.6 GHz, 802.11b/g/n wireless module, resistive touch screen, 1.3 M camera, microphone, 1GB DDR2 RAM, without expansion, R12
	AFL2-W15A-N270/R-EM/1G-R12	15.6" 250cd/m ² WXGA+ fanless panel PC with Intel® Atom™ N270 1.6 GHz, 802.11b/g/n wireless module, resistive touch screen, 1.3M camera, microphone, 1GB DDR2 RAM, EM card reader, without expansion, R12
	AFL2-W15A-N270/R-MF/1G-R12	15.6" 250cd/m ² WXGA+ fanless panel PC with Intel® Atom™ N270 1.6 GHz, 802.11b/g/n wireless module, resistive touch screen, 1.3 M camera, microphone, 1 GB DDR2 RAM, Mifare card reader, without expansion, R12
AMD 780E	AFL2-W15A-L325/R/1G-R11	15.6" 250cd/m ² WXGA+ panel PC with AMD 780E + L325 dual core 1.5 GHz CPU, 802.11b/g/n wireless module, resistive touch screen, 1.3 M camera, microphone, 1GB DDR2 RAM, R11
	AFL2-W15A-L325/R-EM/1G-R11	15.6" 250cd/m ² WXGA+ panel PC with AMD 780E + L325 dual core 1.5GHz CPU, 802.11b/g/n wireless module, resistive touch screen, 1.3M camera, microphone, 1GB DDR2 RAM, EM card reader, R11
	AFL2-W15A-L325/R-MF/1G-R11	15.6" 250cd/m ² WXGA+ panel PC with AMD 780E + L325 dual core 1.5 GHz CPU, 802.11b/g/n wireless module, resistive touch screen, 1.3 M camera, microphone, 1GB DDR2 RAM, Mifare card reader, R11
Projected Capacitive Type Touch		
Intel® Atom™	AFL2-W15A-N270/PC/1G-R12	15.6" 250cd/m ² WXGA+ fanless panel PC with Intel® Atom™ N270 1.6 GHz, 802.11b/g/n wireless module, Projected capacitive touchscreen, 1.3 M camera, microphone, 1GB DDR2 RAM, without expansion, R12
	AFL2-W15A-N270/PC-EM/1G-R12	15.6" 250cd/m ² WXGA+ fanless panel PC with Intel® Atom™ N270 1.6 GHz, 802.11b/g/n wireless module, Projected capacitive touchscreen, 1.3 M camera, microphone, 1GB DDR2 RAM, EM card reader, without expansion, R12
	AFL2-W15A-N270/PC-MF/1G-R12	15.6" 250cd/m ² WXGA+ fanless panel PC with Intel® Atom™ N270 1.6 GHz, 802.11b/g/n wireless module, Projected capacitive touchscreen, 1.3 M camera, microphone, 1 GB DDR2 RAM, Mifare card reader, without expansion, R12
AMD 780E	AFL2-W15A-L325/PC/1G-R11	15.6" 250cd/m ² WXGA+ panel PC with AMD 780E + L325 dual core 1.5 GHz CPU, 802.11b/g/n wireless module, Projected capacitive touchscreen, 1.3 M camera, microphone, 1GB DDR2 RAM, RoHS
	AFL2-W15A-L325/PC-EM/1G-R11	15.6" 250cd/m ² WXGA+ panel PC with AMD 780E + L325 dual core 1.5 GHz CPU, 802.11b/g/n wireless module, Projected capacitive touchscreen, 1.3 M camera, microphone, 1GB DDR2 RAM, EM card reader
	AFL2-W15A-L325/PC-MF/1G-R11	15.6" 250cd/m ² WXGA+ panel PC with AMD 780E + L325 dual core 1.5 GHz CPU, 802.11b/g/n wireless module, Projected capacitive touchscreen, 1.3 M camera, microphone, 1GB DDR2 RAM, Mifare card reader

Optional Kit

Options	AFL2-W15A-N270/PC (Projected capacitive type touch) AFL2-W15A-N270/R (Resistive type touch)	AFL2-W15A-780E/PC (Projected capacitive type touch) AFL2-W15A-780E/R (Resistive type touch)	
Panel Mounting Kit	AFL2PK-W15A-R10		
Wall Mounting Kit	AFLWK-19 / AFLWK-19B		
Arm	ARM-11-RS / ARM-31-RS		
Stand	STAND-A19 / STAND-B19 / STAND-C19 / STAND-210-R11		
OS	Win CE 6.0	AFL2CF-W15-N270-CE060-R10 (128 MB CF card)	--
	Win XPE	AFL2CF-W15-N270-XPE-R10 (1 GB CF card)	AFL2CF-W15-L325-XPE-R10 (1 GB CF card)
	Linux	AFL2CF-W15-N270-LNX-R10 (2 GB CF card)	AFL2CF-W15-L325-LNX-R10 (2 GB CF card)
	Win 7	AFL2CF-W15-N270-WES7E-R10 / AFL2CF-W15-N270-WES7P-R10 (4 GB CF card)	AFL2CF-W15-780-WES7E-R10 / AFL2CF-W15-780-WES7P-R10 (4 GB CF card)
	AFL2SD-W15-N270-WES7E-R10 / AFL2SD-W15-N270-WES7P-R10 (4 GB SATA SSD module)	AFL2SD-W15-780-WES7E-R10 / AFL2SD-W15-780-WES7P-R10 (4 GB SATA SSD module)	
DC 12 V Input UPS	AUPS-B10-R10 (VESA 100, DC 12 V input, 12 V output 100 W UPS module with 3800 mAh)		
DC 9~36 V Input UPS	AUPS-B20-R10 (VESA 100, DC 9~36 V input, 12 V output 100 W UPS module with 3800 mAh)		

Optional Module

Model Name	AFL2DB-MPCIE-R10	AFL2DB-UART-R10	AFL2DB-LAN-R10	AFL2DB-USB3-R10	AFL2DB-CPT4-R10
Interface	PCIe x1	UART	PCIe x1	PCIe x1	PCIe x1
Board size (mm)	50 x 75	80 x 75	50 x 75	50 x 75	50 x 75
Specifications	Support full size PCIe Mini card slot and standard SIM card socket	Two DB-9 RS-232 interface	Cotroller: RTL8111CP Connection rate: one port 10/100/1000Base-T (RJ-45)	Host Controller: Fresco FL1000G Conncetion rate: USB 2.0 (max. 480Mbps) / USB 3.0 (max. 5Gbps) USB power output: DC +5V @ 900mA (max.)	4-channel video capture with 4 BNC inputs. Video resolution - NTSC/PAL: D1, Dalf-D1, CIF Total recording rate: 120fps (NTSC), 100fps (PAL)
OS support	Windows 7, Windows XP	Windows 7, Windows XP	Windows 7, Windows XP, Linux driver for kernel 2.6.	Windows 7, Windows XP	Windows 7, Windows XP

* Packing with one video capture card and one DB-9 to 4 BNC connector cable

Packing List

Item	P/N	Qty	Specifications
Touch Pen	43125-0002C0-00-RS	1	
Power Adapter	63000-FSP060DBAB1554-RS (for Intel® N270 platform)	1	90-264 VAC input , 12 VDC output , 60W
	63000-FSP084DMBA1308-RS (for AMD L325 platform)		90-264 VAC input , 12 VDC output , 84W
Power Cord	32000-000002-RS	1	1750 mm; European standard
User's Manual CD	7B000-000087-RS	1	
Screws	44013-030041-RS	4	
Remote Controller	7Z000-8T00320ICP05G-RS	1	



Touch Pen

Model No.:43125-0002C0-00-RS

Description:

- 1) With special material
 - 2) Combined soft rubber with anti-oxidative plastic material
 - 3) Durable and flexible
 - 4) Particularly designed for AFOLUX GEN II touch Pen
- Length: 140mm