

15" Wide 1366 x 768 AFOLUX Panel PC

AFL-W15A-N270

Intel® Atom™ N270 1.6GHz Processor

AFL-W15A-GM45

Intel® Core™ 2 Duo T9400 2.53GHz Processor (Max.)



16:9
Wide Screen



Membrane Keypad for LCD On/Off, Brightness Down/Up, Volume Down/Up, Lock, Ambient Light Sensor On/Off Control



Ambient Light Sensor



2-mega Pixel Camera (with Low Light Function) and Digital Microphone



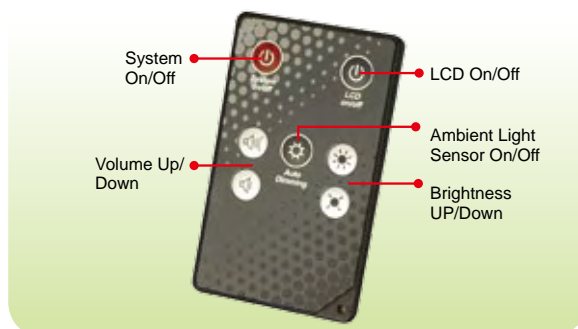
HDMI High-Definition Multimedia Interface (for GM45 Systems Only)

Features

- 15" wide screen all-in-one system with resistive touch panel
- IEEE 802.11b/g/n Wi-Fi connection
- New High-Definition multimedia HDMI interface (for Intel® GM45 system)
- Ambient light sensor detects ambient light for automated screen adjustments.
- VESA-mountable for flexibility in mounting and deployment
- Membrane keypad to control LCD backlight, panel brightness, speakers volume, ambient light sensor and lock the keypad functions
- Software system settings utility support
- Support for Windows CE, Windows XP Embedded and Linux (optional)
- IP 64 compliant front panel



Infrared Remote Control



1
IEIMobile Solutions

2
Automation Panel Solutions

3
PACSmate Medical Solutions

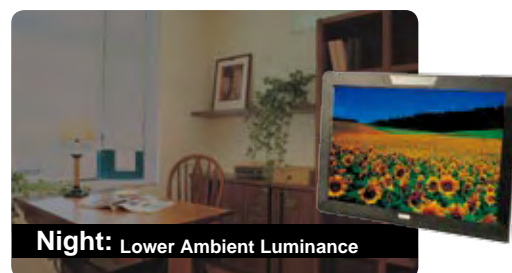
4
Optional Peripherals

Ambient Light Sensor

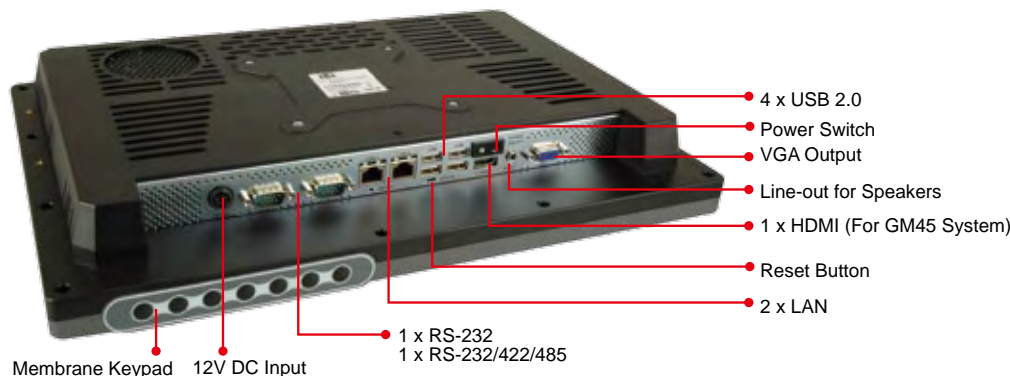
The AFL-W15A series has a built-in ambient light sensor on the front panel to automatically detect the amount of light in the viewing environment and auto-adjust the brightness of the screen.

Benefits:

- More comfortable viewing decreases eye strain and tiredness
- Power consumption saving
- Extend lamp lifetime



Fully Integrated I/O



Specifications



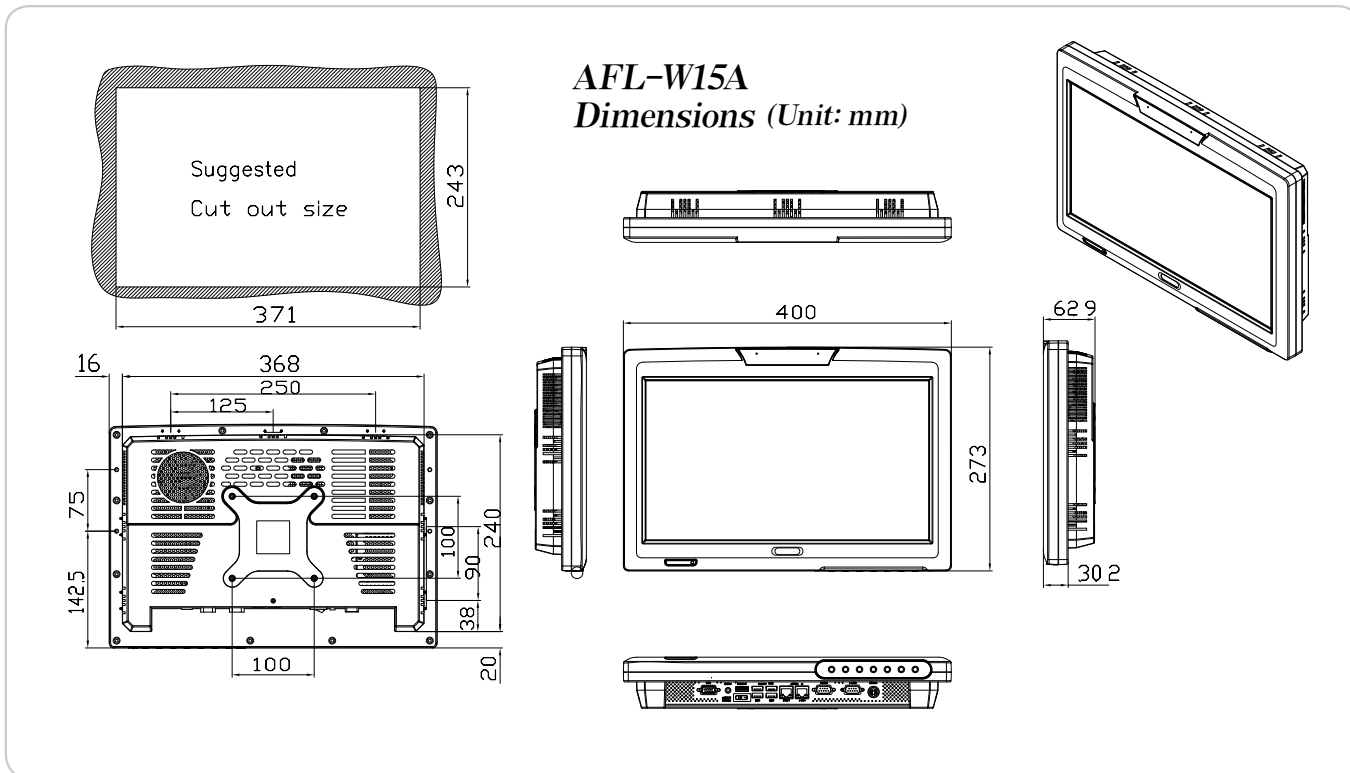
Model	AFL-W15A-N270	AFL-W15A-GM45
LCD Size	15.6"	
Max Resolution	1366 x 768	
Brightness (cd/m ²)	300	
Contrast Ratio	500 : 1	
LCD Color	16.7M	
Pixel Pitch (mm)	0.252 (W) x 0.252 (H)	
Viewing Angle (H-V)	170° / 160°	
Backlight MTBF	50000 hrs (LED backlight)	
SBC Model	AFLMB2-945GSE-N270-R10	AFLMB2-GM45-R10
CPU	Intel® Atom™ N270 1.6GHz CPU	Intel® Celeron® M 575 2.0GHz CPU Intel® Core™2 Duo P8400 2.26GHz CPU Intel® Core™2 Duo T9400 2.53GHz CPU
Chipset	Intel® 945GSE + ICH7M	Intel® GM45 Chipset + ICH9M
RAM	Supports one 400MHz or 533MHz DDRII SO-DIMM (Max. 2GB)	Supports two 667MHz or 800MHz DDR2 SO-DIMM (Max. 4GB)
I/O Ports	1 x RS-232 COM Port 1 x RS-232/422/485 COM Port 2 x RJ-45 for Giga LAN 4 x USB 2.0 1 x Power Switch 1 x Reset Button 1 x Audio Port 1 x VGA Port 1 x Power Jack	1 x RS-232 COM Port 1 x RS-232/422/485 COM Port 2 x RJ-45 for Giga LAN 4 x USB 2.0 1 x Power Switch 1 x Reset Button 1 x HDMI Port 1 x Audio Port 1 x VGA Port 1 x Power Jack
SSD	CF Type II	
Watchdog Timer	Software programmable supports 1~255 sec. system reset	
Audio	AMP 3W + 3W (internal speakers)	
Camera Module	2 megapixel camera (with low light function) and digital microphone	
Wireless Connection	1 x Wireless LAN 802.11b/g/n Module (internal PCIe Mini card interface)	
Construction Front Panel	ABS + PC Plastic front frame	
Membrane Keypad	LCD On/Off, Brightness Down/Up, Volume Down/Up, Lock, Ambient Light Sensor On/Off (OSD Lock: Lock button+ ALS button) (7 keys)	
Infrared Remote Control	LCD On/Off, Brightness Up/Down, Volume Up/Down, System On/Off, Ambient Light Sensor On/Off	
Ambient Light Sensor	Yes	Yes
Mounting	Panel, Wall, Stand and Arm VESA 100mm x 100mm	
Front Panel Color	Gray 7539U	
Dimensions (WxHxD) (mm)	400 x 273 x 63	400 x 273 x 63
Operation Temperature (°C)	0°C ~40°C with SATA HDD -10°C ~50°C with CF Card or SATA interface 2.5" SSD HDD	
Storage Temperature (°C)	-20°C ~60°C	
N/G Weight	3.3 Kg	
IP Level	IP 64 compliant front panel	
Safety & EMC	CE / FCC	
Touch Screen	5-wire Resistive Type (Touch controller IC is on board)	
Power Adapter	P/N: 63000-FSP060DABB1554-RS 60W Power Adapter Input: 90VAC~264VAC, 50/60Hz Output: 12VDC	P/N: 63000-FSP096AAB-RS 96W Power Adapter Input: 90VAC~264VAC, 50/60Hz Output: 12VDC
Power Requirement	12VDC	
Power Consumption	50W	90W

1
IEI Mobile Solutions

2
Automation Panel Solutions

3
PACsmate Medical Solutions

4
Optional Peripherals



AFL-W15A
Dimensions (Unit: mm)

Ordering Information

Part Number	Description
AFL-W15A-N270/R/1G-R30	15.6" 300cd/m ² 1366x768 LED backlighting panel PC with Intel® Atom™ N270 1.6GHz CPU, 1GB DDR2 RAM, 802.11b/g/n wireless module, touch screen, 2megapixel camera, microphone, R30
AFL-W15A-GM45-CM5/R/1G-R30	15.6" 300cd/m ² 1366x768 LED backlighting panel PC with Intel® Celeron® 2.0GHz CPU, 1GB DDR2 RAM, 802.11b/g/n WiFi, touch screen, 2megapixel camera, microphone, R30
AFL-W15A-GM45-P84/R/2G-R30	15.6" 300cd/m ² 1366x768 LED backlighting panel PC with Intel® Core™2 Duo P8400 2.26GHz CPU, 2GB DDR2 RAM, 802.11b/g/n WiFi, touch screen, 2megapixel camera, microphone, R30
AFL-W15A-GM45-T94/R/2G-R30	15.6" 300cd/m ² 1366x768 LED backlighting panel PC with Intel® Core™2 Duo T9400 2.53GHz CPU, 2GB DDR2 RAM, 802.11b/g/n WiFi, touch screen, 2megapixel camera, microphone, R30

Options

Model	AFL-W15A-N270	AFL-W15A-GM45
Panel Mounting Kit	AFLPK-15B	
Wall Mounting Kit	AFLWK-19B	
Rack Mounting Kit	AFLRK-W15	
Arm	ARM-11-RS / ARM-31-RS	
Stand	STAND-A19-RS / STAND-A21-R10 / STAND-210-R11	
OS: Win CE 6.0 (128 MB CF card)	AFLCF-15-N270-CE060-R30	N/A
OS: Win XPE (1 GB CF card)	AFLCF-15-N270-XPE-R30	AFLCF-W15-GM45-XPE-R30
OS: Win LINUX (2 GB CF card)	AFLCF-15-N270-LNX-R30	AFLCF-W15-GM45-LNX-R30
OS: Win 7 Embedded (4GB CF card)	AFLCF-15-N270-WES7E-R30	AFLCF-W15-GM45-WES7E-R30
Hybrid Card Reader	AFLP-W15AMSI-U	
Magnetic Stripe Reader	AFLP-W15AMSR-U	
DC 12V Input UPS	AUPS-B10-R10 (VESA 100, DC 12V input, 12V output 100W UPS module with 3800mAh)	
DC 9-36V Input UPS	AUPS-B20-R10 (VESA 100, DC 9-36V input, 12V output 100W UPS module with 3800mAh)	
Bluetooth V2.0+EDR	AFL-BT-KIT04-R10	AFL-BT-KIT03-R10

Note: Win CE application without digital microphone function

Packing List

Item	Part Number	Q'ty	Specification
Screw Pack	44013-030041-RS	4	M3; 5mm
Power Adpater	63000-FSP096AHB-RS 63000-FSP060DBAB1554-RS	1	90-264V AC; 12V DC; 96W (W15A-GM45) 90-264V AC; 12V DC; 60W (W15A-N270)
Power Cord	32000-000002-RS	1	1750mm (EU or US, depending on the shipment country)
Utility CD	7B000-000087-RS	1	
Touch Pen	43125-0002C0-00-RS	1	
One Key Recovery CD		1	

ISMM Supported Functions

	Voltage	Fan	Smart Fan	Temperature	WDT	Cash Drawer
AFL-W15A-N270	V			V	V	
AFL-W15A-GM45	V	V	V	V	V	

1

IEIMobile Solutions

2

Automation Panel Solutions

3

PACSmate Medical Solutions

4

Optional Peripherals