

IPC-6608

8-slot Desktop/Wallmount Chassis with PS/2 Power Supply



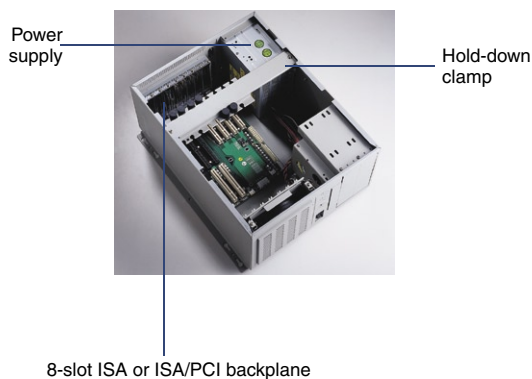
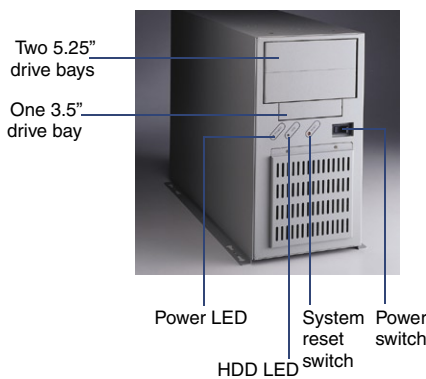
Features

- Bi-directional options to mount the chassis on the wall or workbench
- Equipped with an 8-slot ISA or ISA/PCI backplane to hold eight full-length cards
- Two front accessed 5.25" disk drives and one 3.5" FDD
- High-speed cooling fan supports abundant cooling and streamlined ventilation
- Shockproof disk drive bay design for industrial applications

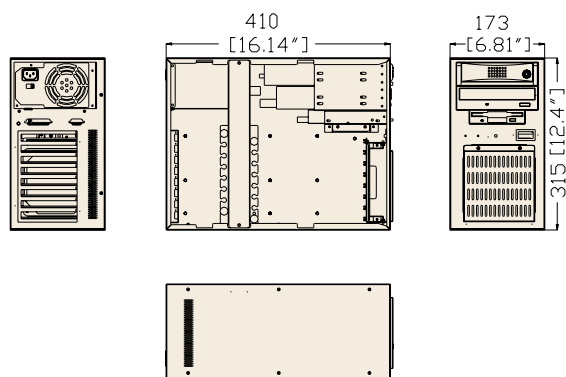


Specifications

Drive Bay	3.5"	Front-accessible
	5.25"	1
Cooling	Fan	1 (85 CFM) hot-swap
	Air Filter	Yes
Miscellaneous	Control	Front panel power switch and reset switch
	Indicator	LEDs for power On/Off and HDD activity
Environment	Temperature	0 ~ 40° C (32 ~ 104° F), operating
	Humidity	10 ~ 85 % @ 40° C, non-condensing
Physical Characteristics	Dimensions (W x H x D)	173 x 315 x 410 mm (6.8" x 12.4" x 16.1")
	Weight	11.0 kg (24.2 lb)

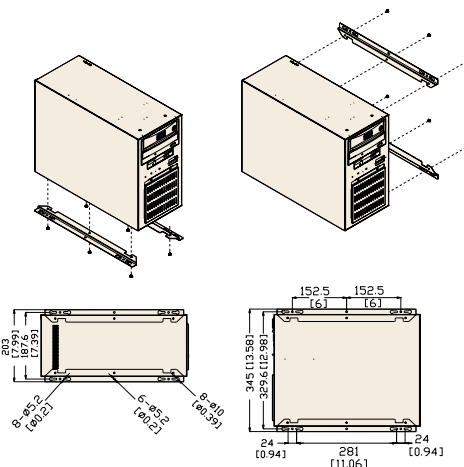


Dimension Diagram



Unit: mm (inch)

Installation



Unit: mm (inch)

Power Supply Options

Part Number	Watt	Input	Output	Specifications		
				Mini-load	Safety	MTBF
PS-250ATX-ZE (ATX, PFC)	250 W	AC 115 / 230 V (selectable)	+5 V @ 27 A +3.3 V @ 20 A +12 V @ 13 A -12 V @ 0.8 A -5 V @ 0.3 A +5 Vsb @ 2 A	+5 V @ 0.5 A +12 V @ 0.3 A	UL/TUV/CB/CCC	100,000 hours @ 25° C
PS-300ATX-ZBE (ATX, PFC)	300 W	AC 110 ~ 240 V (full-range)	+5 V @ 30 A +3.3 V @ 28 A +12 V @ 15 A -12 V @ 0.8 A -5 V @ 0.3 A +5 Vsb @ 2 A	+5 V @ 0.1 A +3.3 V @ 0.3 A	UL/TUV/CB/CCC	100,000 hours @ 25° C

Passive Backplane Options

Part Number	Slot	Segment
PCA-6108E-0C2E	8 ISA	Single
PCA-6108P4-0C2E	3 ISA, 3 PCI, 1 PICMG/PCI, 1 PICMG	Single
PCA-6108P6-0B4E	1 ISA, 5 PCI, 1 PICMG/PCI, 1 PICMG	Single
PCA-6108P3X-0A2E	3 ISA, 3 PCI, 2 PICMG (64-bit)	Single

Ordering Information

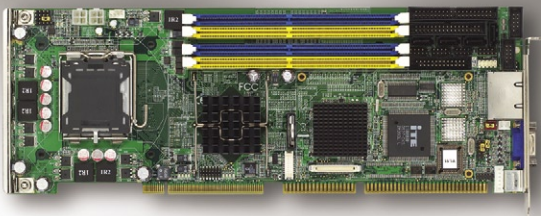
Part Number	Power Supply	Backplane	Regulation	Switch
IPC-6608BP-00E	Without power supply	-	None	AT/ATX
IPC-6608BP-25ZE	PS-250ATX-ZE	-	CE	ATX
IPC-6608BP-30ZE	PS-300ATX-ZBE	-	CE	ATX

Accessories

Part Number	Description
1999001030	Fan filter 127 x 127 x 5 mm

PCA-6190

LGA775 Pentium® 4/Celeron® D Processor Card with VGA/Dual GbE LAN/DVI



Features

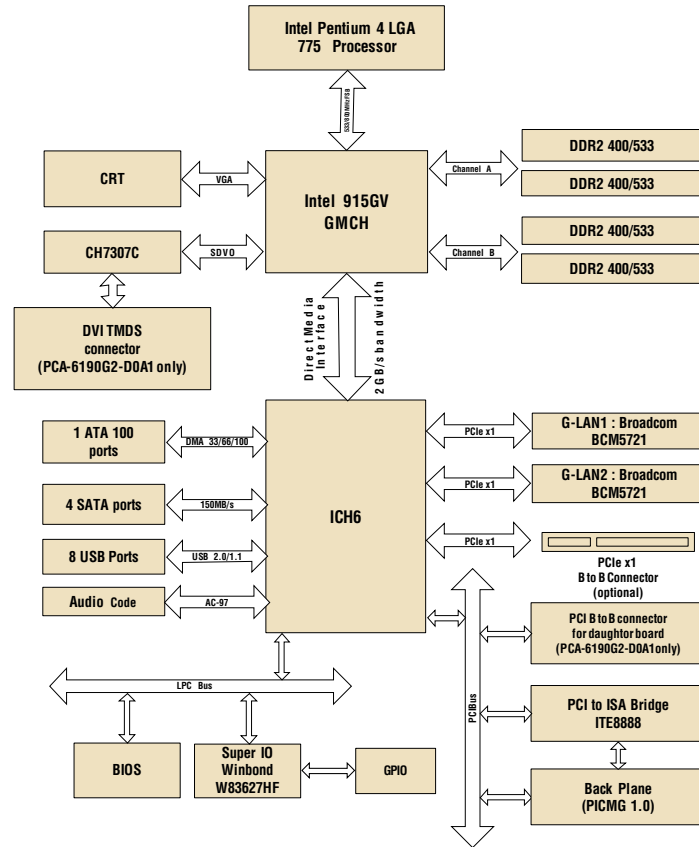
- Intel® 915GV (Grantsdale-GV) chipset 533/800 MHz FSB
- Supports dual channel DDR2 400/533 SDRAM
- Supports up to 4 Serial ATA devices
- 8 USB 2.0 ports
- 2 PCI-Express x 1 for LAN chip
- Supports DVI interface (PCA-6190G2-D0A1 only)
- 14-pin General Purpose I/O interface as 8-bit programmable Digital I/O or port80 function
- CMOS automatic backup and restore to prevent accidental data loss of BIOS setup



Specifications

Processor System	CPU	Intel Pentium 4 (Prescott)	Intel Celeron D
	Max. Speed	3.8 GMz (800 FSB)	3.06 GHz (533 FSB)
	L2 Cache	2 MB/1 MB	256 KB
	Chipset	Intel® 915GV + ICH6	
	BIOS	Award 4 Mbit FWH	
	Front Side Bus	533/800 MHz	
Bus	PCI	PCI 32 bit/33 MHz ; 2 PCIe x1 for LAN chip	
	ISA	HISA (ISA high drive)	
Memory	Technology	Dual Channel DDR2 400/533 SDRAM	
	Max. Capacity	4 GB	
	Socket	240-pin DIMM x 4	
Graphic	Controller	Chipset integrated VGA controller	
	VRAM	Dynamically shared system memory up to 128 MB	
Ethernet	Interface	10/100/1000 Base-T	
	Controller	LAN 1: Broadcom BCM 5721 LAN 2: Broadcom BCM 5721	
	Connector	RJ-45 x 2	
SATA	Max. Data Transfer Rate	150 MB/Sec.	
	Channel	4	
EIDE	Mode	ATA 100/66/33	
	Channel	1 (Max 2 devices)	
I/O Interface	USB	Max. 8 (USB 2.0 compliant, 480 Mbps, 4 ports and 4 connectors)	
	Serial	2 (RS-232)	
	Parallel	1 (SPP/EPP/ECP)	
	FDD	1	
	PS/2	1	
Watchdog Timer	Output	Interrupt, system reset	
	Interval	Programmable, 1 ~ 255 sec.	
Miscellaneous	Audio Output	AC-97 audio interface (requires an audio extension module P/N: PCA-AUDIO-00A1)	
	Typical	Pentium 4 3.4 GHz (800 MHz FSB), 2 x 512 MB, 2 x 256 MB DDR2 533 SDRAM	
Power Requirement	+5 V	-5 V	+12 V -12 V
	6.64 A	0.01 A	12.59 A 0.01 A
Environment	Operating	Non-Operating	
	Temperature	0 ~ 60 °C (32 ~ 140 °F), depends on CPU's speed -20 ~ 70 °C (-40 ~ 158 °F)	
Physical Characteristics	Dimensions (W X D)	338 x 122 mm (13.3" x 4.8")	

Block Diagram



Ordering Information

Part Number	VGA	DVI	Gigabit LAN
PCA-6190VG-00A1E	Yes	--	Single
PCA-6190G2-00A1E	Yes	--	Dual
PCA-6190G2-D0A1E	Yes	Yes	Dual

Bracket View



PCA-6190VG-00A1E



PCA-6190G2-00A1E
PCA-6190G2-D0A1E

Packing List

Part Number	Description	Quantity
1700340640	FDD cable	X 1
1701400452	IDE HDD cable	X 1
1700071000	Serial ATA HDD data cable	X 2
1703150102	Serial ATA HDD power cable	X 2
170304015K	ATX 12 V power converter cable	X 1
1701260305	Printer + COM cable	X 1
1700060202	Y cable for PS/2 mouse & keyboard	X 1
9689000068	Jumper pack	X 1
-	Startup manual	X 1
-	Utility CD	X 1
1700000719	USB cable with 4 ports	X 1
1701092300	Dual COM port cable kit (for G2-00A1 and G2-D0A1)	X 1
1700000821	DVI Cable (G2-D0A1 only)	X 1

Accessories

Part Number	Description
PCA-AUDIO-00A1E	Audio extension module
1750000332	CPU cooler for LGA775 Pentium 4 processor up to 3.8 GHz (115 w), for 2U or higher chassis
1750000334	CPU cooler for LGA775 Pentium 4 processor up to 3.8 GHz (115 w), for 4U or higher chassis