

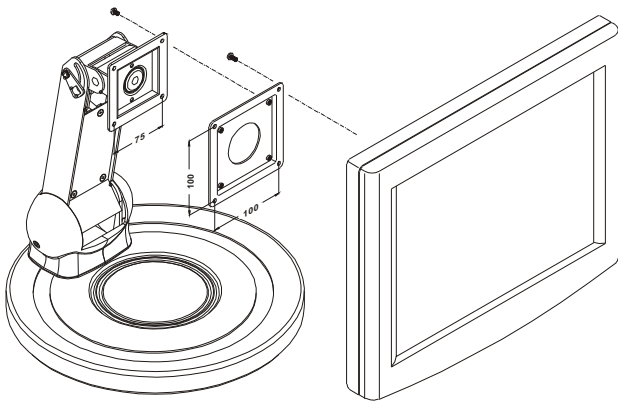
# Operation & Assembly Instruction

## PPC-174 STAND

\*Operating Skill

\*Fully assembled

\*Includes VESA standards:  
75x75 mm and/or 100x100 mm  
hole pattern bracket.



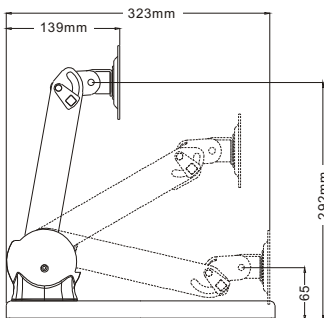
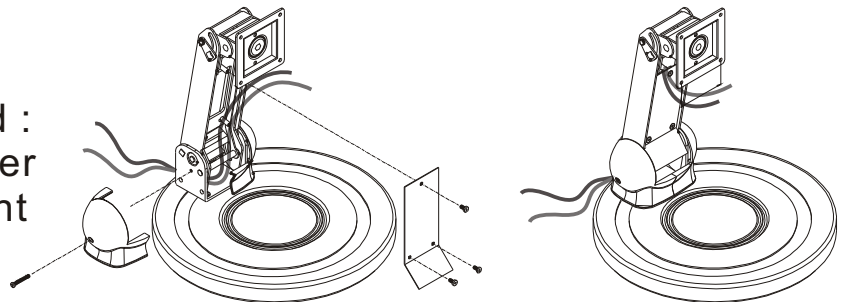
Down: Tilt the panel and then pull it down



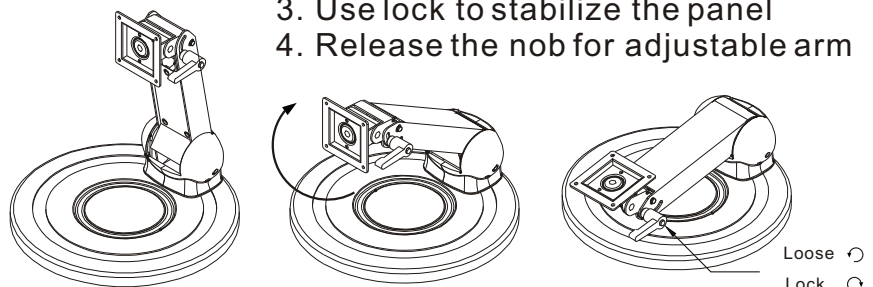
Up : Lift the panel up directly

ITEM	A	B	C	D
PARTS				
QTY	1	1	4	4

\* Insert cable method :  
Take 2 slices of cover  
away shown as right



1. Pull the arm down the table
2. Lay the panel on the arm
3. Use lock to stabilize the panel
4. Release the nob for adjustable arm



\*Features:

