

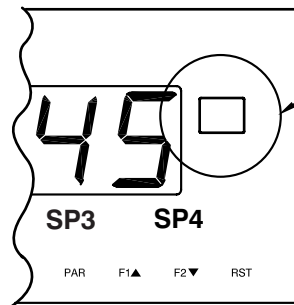
## LPAX ENCLOSURE, MOUNTING AND LABEL ACCESSORIES



- ENGINEERING UNIT LABELS
- BRACKETS FOR BASE, CEILING, OR WALL MOUNTING
- NEMA 4/IP65 ENCLOSURE FOR WASHDOWN ENVIRONMENTS
- FRONT PANEL SHROUD FOR ENHANCED VIEWING

### LX LABEL ACCESSORY

The LX label accessories allow the 5 digit LPAX display to be customized with an engineering unit. The label is affixed to the embossed area on the bezel of the LPAX. The LPAX module is then programmed to turn on its backlighting, which illuminates the label from behind.



Attach Units Label to this embossed area.

### INSTALLATION

Before applying the label, ensure that the embossed area is clean, dry, and free of dirt. Remove the backing and center the label in the embossed area and attach. Take extra care to seat the edges of the label.

### ORDERING INFORMATION

MODEL NO.	DESCRIPTION	PART NUMBERS
LX	Custom Units Label for 5 Digit LPAX	Listed Below

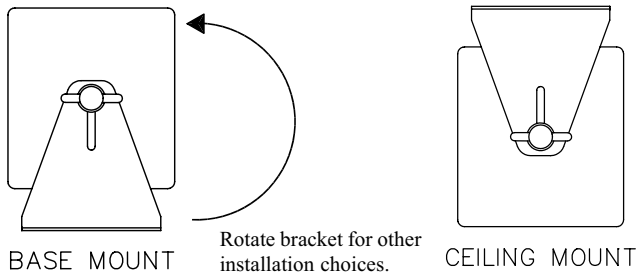
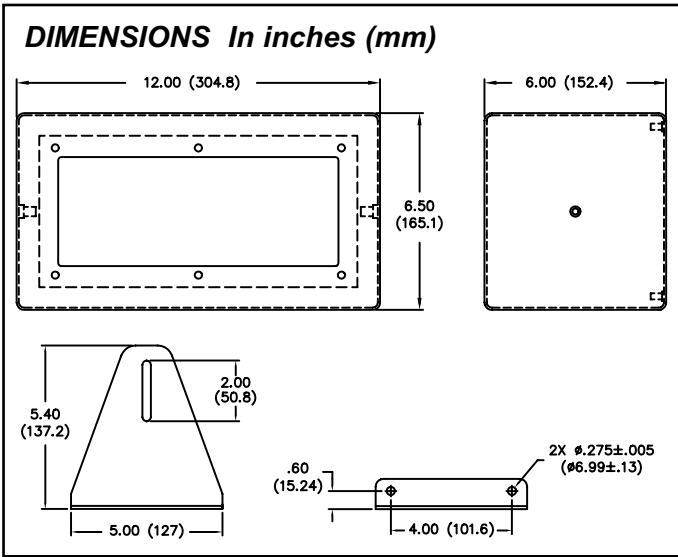
	<b>K</b>	<b>A</b>	<b>mA</b>	<b>µA</b>	<b>Hz</b>	<b>kHz</b>	<b>kV</b>	<b>VA</b>	<b>kVA</b>	<b>VAC</b>	<b>mV</b>	<b>V</b>	
LXBLANK0*	LXK0000	LXA0000	LXMA0000	LXUA0000	LXHZ0000	LXKHZ000	LXKV0000	LXVA0000	LXKVA000	LXVAC000	LXMV0000	LXV00000	
<b>mΩ</b>	<b>Ω</b>	<b>KΩ</b>	<b>MΩ</b>	<b>W</b>	<b>KW</b>	<b>KWh</b>	<b>kg</b>	<b>ton</b>	<b>gal</b>	<b>ℓ</b>	<b>ml</b>	<b>Kℓ</b>	<b>m<sup>3</sup></b>
LXMOHM10	LXOHM000	LXKOHM00	LXMOHM20	LXW00000	LXKW0000	LXKWH000	LXKG0000	LXTON000	LXGAL000	LXL00000	LXML0000	LXKL0000	LXM30000
<b>cm<sup>3</sup></b>	<b>mm<sup>3</sup></b>	<b>in<sup>3</sup></b>	<b>ft<sup>3</sup></b>	<b>yd<sup>3</sup></b>	<b>ℓ/h</b>	<b>kg/s</b>	<b>kg/min</b>	<b>m<sup>3</sup>/s</b>	<b>m<sup>3</sup>/min</b>	<b>m<sup>3</sup>/h</b>	<b>ℓ/s</b>	<b>ℓ/min</b>	<b>kg/h</b>
LXCM3000	LXMM3000	LXIN3000	LXFT3000	LXYD3000	LXL/H000	LXKG/S00	LXKG/MIN	LXM3/S00	LXM3/MIN	LXM3/H00	LXL/S000	LXL/MIN0	LXKG/H00
<b>ton/h</b>	<b>ft<sup>3</sup>/s</b>	<b>ft<sup>3</sup>/min</b>	<b>ft<sup>3</sup>/h</b>	<b>BPS</b>	<b>BPM</b>	<b>LPM</b>	<b>gps</b>	<b>GPM</b>	<b>gpm</b>	<b>gph</b>	<b>FPS</b>	<b>FPM</b>	<b>FPH</b>
LXTON/H0	LXFT3/S0	LXFT3/MN	LXFT3/H0	LXBPS000	LXBPM000	LXLP0000	LXGPS000	LXGPM100	LXGPM200	LXGPH000	LXFPS100	LXFPM100	LXFPH000
<b>fps</b>	<b>fpm</b>	<b>YPS</b>	<b>YPM</b>	<b>YPH</b>	<b>IPS</b>	<b>IPM</b>	<b>IPH</b>	<b>CPS</b>	<b>CPM</b>	<b>CPH</b>	<b>MPS</b>	<b>MPM</b>	<b>MPH</b>
LXFPS200	LXFPM200	LXYP0000	LXYPM000	LXYPH000	LXIPS000	LXIPM000	LXIPH000	LXCPS000	LXCPM000	LXCPH000	LXMPS000	LXMPM000	LXMPH000
<b>kph</b>	<b>RPS</b>	<b>rps</b>	<b>rpm</b>	<b>rph</b>	<b>ppb</b>	<b>ppm</b>	<b>mm/s</b>	<b>cm/s</b>	<b>cm/min</b>	<b>m/s</b>	<b>m/min</b>	<b>m/h</b>	<b>t/min</b>
LXKPH000	LXRPS100	LXRPS200	LXRPM000	LXRPH000	LXPPB000	LXPPM000	LXMM/S00	LXCM/S00	LXCM/MIN	LXM/S000	LXM/MIN0	LXM/H000	LXT/MIN0
<b>u/min</b>	<b>lb/min</b>	<b>lb/h</b>	<b>T</b>	<b>t</b>	<b>%RH</b>	<b>pH</b>	<b>deg</b>	<b>G</b>	<b>oz</b>	<b>lb</b>	<b>x10</b>	<b>x100</b>	<b>x1000</b>
LXU/MIN0	LXLB/MIN	LXLB/H00	LXT10000	LXT20000	LX%RH000	LXPH0000	LXDEG000	LXG00000	LXOZ0000	LXLB0000	LX10X000	LX100X00	LX1000X0
<b>∅A</b>	<b>∅B</b>	<b>∅C</b>	<b>bar</b>	<b>in Hg</b>	<b>psi</b>	<b>kPa</b>	<b>%</b>	<b>in</b>	<b>ft</b>	<b>yd</b>	<b>mm</b>	<b>cm</b>	<b>m</b>
LXPHA000	LXPHB000	LXPHC000	LXBAR000	LXINHG00	LXPSI000	LXKPA000	LX%00000	LXIN0000	LXFT0000	LXYD0000	LXMM0000	LXCM0000	LXM00000
<b>km</b>	<b>N</b>	<b>hp</b>	<b>in lb</b>	<b>ft lb</b>	<b>min</b>	<b>h</b>	<b>S</b>	<b>SEC</b>	<b>VDC</b>	<b>°F</b>	<b>°C</b>		
LXKM0000	LXN00000	LXHP0000	LXINLB00	LXFTLB00	LXMIN000	LXH00000	LXS00000	LXSEC000	LXVDC000	LXDF0000**	LXDC0000**		

\* Blank label included with each LPAX

\*\* These labels included with MPAXT units

## ENC9-NEMA 4/IP65 LPAX ENCLOSURE

The ENC90000 NEMA 4/IP65 enclosure provides a means of mounting the LPAX display in dirty or washdown environments. The enclosure comes with all the gaskets, hardware (except the mounting screws), and brackets required to base, ceiling, or wall mount the LPAX display. The mounting screws to attach the brackets to your surface are not provided due to the variety of installation options available.

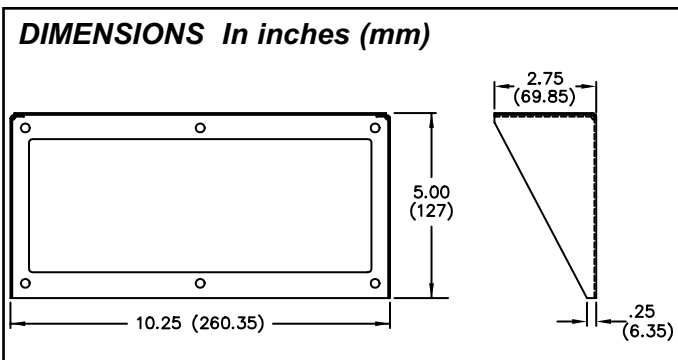


## ORDERING INFORMATION

MODEL NO.	DESCRIPTION	PART NUMBERS
ENC9	NEMA 4 Enclosure for LPAX	ENC90000

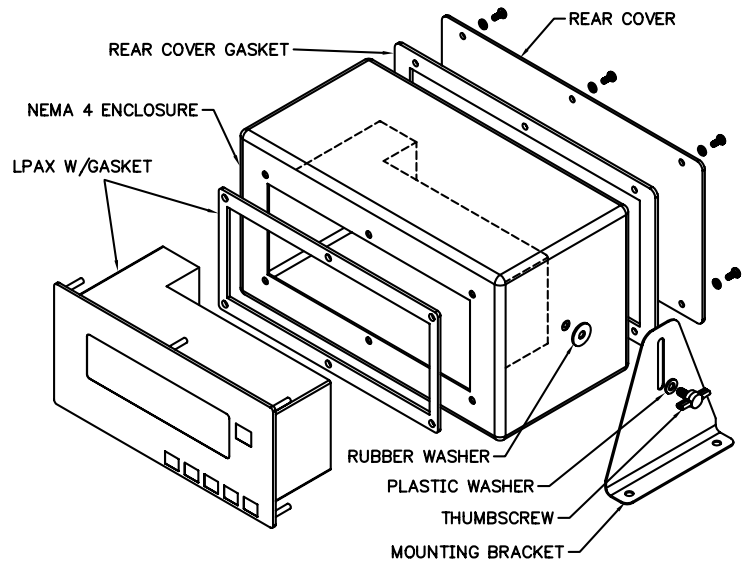
## SHROUD

The optional shroud enhances the readability of the LPAX unit in areas with high intensity overhead light sources. The shroud can be used in conjunction with any installation (panel mount, enclosure, or mounting brackets). When properly installed, the shroud will not affect the integrity of a NEMA 4 installation.



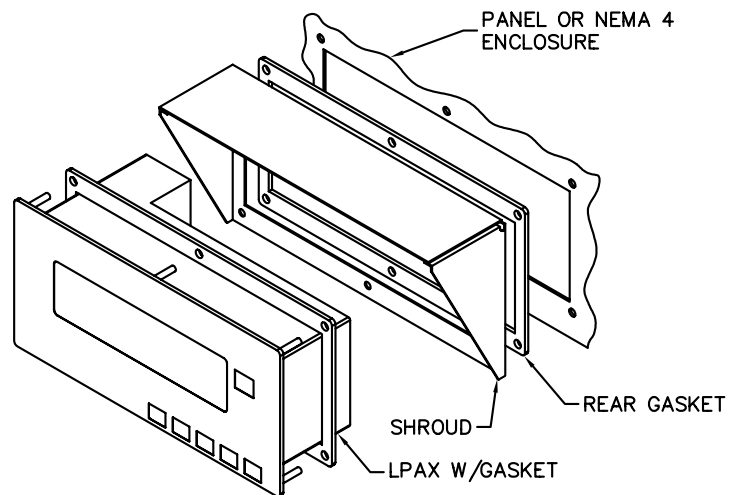
## ORDERING INFORMATION

MODEL NO.	DESCRIPTION	PART NUMBERS
SHR	Shroud for LPAX	SHRLPAX0



## ENCLOSURE ASSEMBLY

1. Before drilling a hole in the enclosure for your wire connector or fitting, ensure that the location you have chosen allows enough clearance around the MPAX module.
2. Remove the center section of the gasket provided with the LPAX, and slide it over the rear of the display and onto the mounting studs.
3. Insert the LPAX into the enclosure as illustrated. Install six #10-32 keps nuts (supplied with the LPAX) and tighten evenly for uniform gasket compression. The gasket should be compressed to about 75 to 80% of its original thickness. Do not overtighten the nuts.
4. Run the wires through the hole that was drilled in the enclosure, and attach them to the LPAX. Wiring instructions are provided in the appropriate PAX bulletin shipped with the MPAX Module.
5. Remove the center section of the rear cover gasket. Apply the gasket to the rear panel of the enclosure by inserting the screws through the panel and into the holes in the gasket. Position the panel on the enclosure and start all of the screws. Alternately tighten each screw to ensure uniform gasket compression. The gasket should be compressed to about 75 to 80% of its original thickness.
6. To securely mount the enclosure, attach the adjustable mounting brackets to the enclosure using the washers and screws provided.
7. Secure the mounting brackets to the desired mounting location.

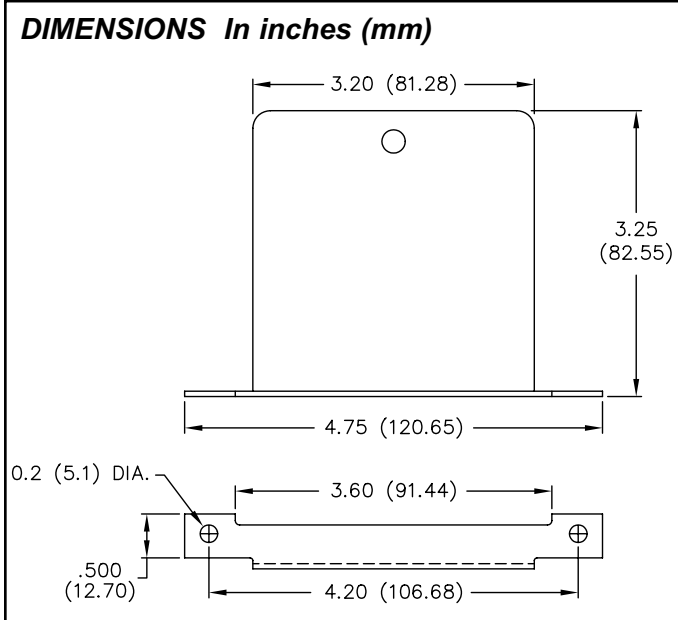


## INSTALLATION

1. Remove the center section of the gasket provided with the LPAX, and slide it over the rear of the display and onto the mounting studs.
2. Orient the shroud and gasket as shown in the assembly figure, and place it over the LPAX. The studs of the LPAX should now be protruding through the rear of the shroud.
3. Follow the remaining installation instructions for panel mounting, bracket mounting or enclosure mounting as appropriate.

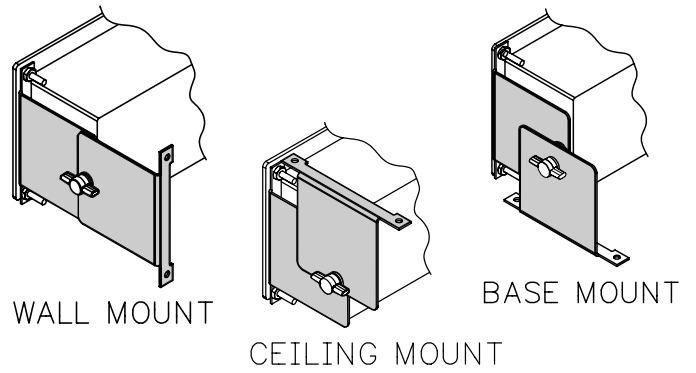
## MBLPAX-MOUNTING BRACKETS

The MBLPAX mounting brackets provide an easy way to base, wall, or ceiling mount the LPAX display. The MBLPAX kit comes with two sets of brackets, and most of the hardware to mount the LPAX at virtually any angle. The screws to attach the brackets to your surface are not provided due to the variety of installation options available.

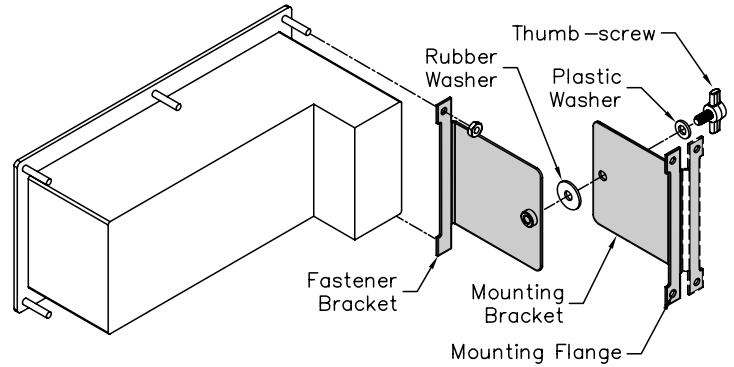


## ORDERING INFORMATION

MODEL NO.	DESCRIPTION	PART NUMBERS
MB	Mounting Bracket for LPAX	MBLPAX00



## ASSEMBLY



### Notes:

1. When installing the brackets, the fastener bracket must be installed on the studs of the LPAX as shown.
2. The mounting bracket may be installed with the flange facing in or out.
3. The rubber washers provided must be installed between the two mounting brackets during assembly.
4. The screws for fastening the brackets to a surface are not provided in the MBLPAX kit. The holes are 0.2" in diameter and will accept size #10 screws and smaller.

### **LIMITED WARRANTY**

The Company warrants the products it manufactures against defects in materials and workmanship for a period limited to one year from the date of shipment, provided the products have been stored, handled, installed, and used under proper conditions. The Company's liability under this limited warranty shall extend only to the repair or replacement of a defective product, at The Company's option. The Company disclaims all liability for any affirmation, promise or representation with respect to the products.

The customer agrees to hold Red Lion Controls harmless from, defend, and indemnify RLC against damages, claims, and expenses arising out of subsequent sales of RLC products or products containing components manufactured by RLC and based upon personal injuries, deaths, property damage, lost profits, and other matters which Buyer, its employees, or sub-contractors are or may be to any extent liable, including without limitation penalties imposed by the Consumer Product Safety Act (P.L. 92-573) and liability imposed upon any person pursuant to the Magnuson-Moss Warranty Act (P.L. 93-637), as now in effect or as amended hereafter.

No warranties expressed or implied are created with respect to The Company's products except those expressly contained herein. The Customer acknowledges the disclaimers and limitations contained herein and relies on no other warranties or affirmations.

Red Lion Controls  
20 Willow Springs Circle  
York PA 17402  
Tel +1 (717) 767-6511  
Fax +1 (717) 764-0839

Red Lion Controls BV  
Basicweg 11b  
NL - 3821 BR Amersfoort  
Tel +31 (0) 334 723 225  
Fax +31 (0) 334 893 793

Red Lion Controls Asia  
31, Kaki Bukit Road 3 #06-04/05 TechLink  
Singapore 417818  
Tel +65 6744-6613  
Fax +65 6743-3360