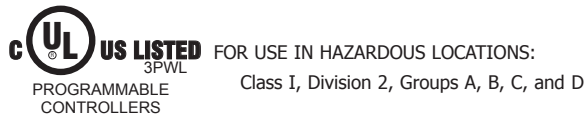


MODEL CSMSTRZR – ENHANCED MODULAR CONTROLLER SERIES MASTER



- PERFORMS HIERARCHICAL CONTROL OF OTHER MODULES IN THE MODULAR CONTROLLER SERIES
- PROVIDES POWER AND COMMUNICATIONS TO MODULES THROUGH BACKPLANE CONNECTOR
- STORES MODULE CONFIGURATION INFORMATION, AND AUTOMATICALLY REPROGRAMS REPLACED MODULES
- 250+ COMMUNICATIONS DRIVERS FOR COMMUNICATING DIRECTLY WITH PLCs, DRIVES, ETC.
- SUPPORTS UP TO 16 CS-SERIES MODULES TO ACCEPT DIGITAL AND ANALOG SIGNALS
- BUILT-IN WEBSERVER ALLOWS REMOTE VIEW OR CONTROL FROM ANY INTERNET CONNECTED PC
- PROVIDES EMAIL AND SMS TEXT MESSAGE ALERTS
- SYNCs DATA LOGS TO FTP SERVERS AND MICROSOFT SQL SERVER®
- USB HOST CAPABILITY ALLOWS PROGRAMMING AND LOG FILE STORAGE USING THUMB DRIVES AND ALLOWS CONNECTION TO OTHER USB DEVICES
- 10 BASE-T/100 BASE-TX ETHERNET CONNECTION CAN CONNECT TO AN UNLIMITED NUMBER OF DEVICES VIA TEN PROTOCOLS SIMULTANEOUSLY

GENERAL DESCRIPTION

The Model CSMSTRZR is a communications and control platform designed for use with Modular Controller Series slave modules. The CSMSTRZR uses a proprietary high speed serial protocol to communicate, via backplane connection, with up to 16 slave modules. Through the same connection, the Master also provides power to the modules.

When powered up, the CSMSTRZR automatically identifies and addresses connected slave modules. By storing the configuration information of all of the modules, the CSMSTRZR is able to automatically configure modules if they are replaced.

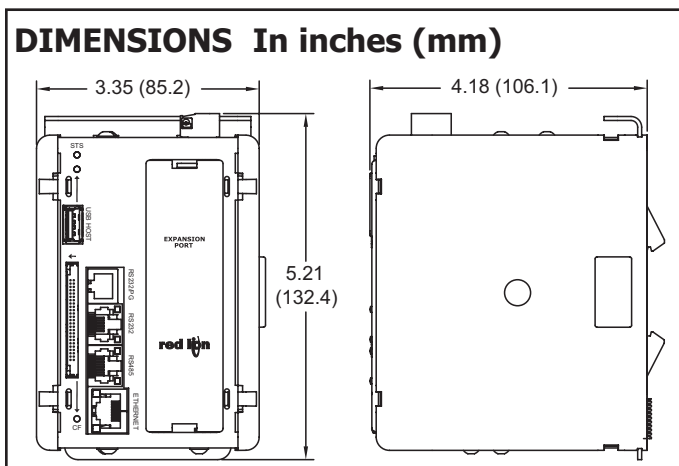
The CSMSTRZR leverages over 250 communications drivers via three independent serial ports and an Ethernet port, to connect and collect data from virtually any PLC, drive, bar code scanner, etc.

The CSMSTRZR built-in data-logger will log tags at user-programmable rates, and automatically time/date stamp them. The information is stored in open CSV file format, allowing you to access them with virtually any application. The Master can synchronize the log files with any FTP server and/or Microsoft's SQL Server for further analysis. An onboard CompactFlash slot provides storage for the Master's built-in data logger.

The Master extends production monitoring to remote personnel by providing email and text alerts, and its built-in webservice allows information to be monitored via any networked PC or smart-phone. If enabled, remote personnel can take partial or full control of the system remotely, allowing a maintenance person to effect changes without a site visit.

The design of the Modular Controller Series high density packaging and DIN rail mounting saves time and panel space. The controller snaps easily onto standard top hat (T) profile DIN rail.

DIMENSIONS In inches (mm)



SOFTWARE

The CSMSTRZR is programmed with Crimson 3.0 software for Windows® XP Service Pack 2 or later platforms. The software is an easy to use, graphical interface which allows the configuration of communications, logging, and stunning visual displays through simple drag and drop steps.

CONTENTS OF PACKAGE

- CS Master
- Termination Plug
- Terminal Block for connecting power
- Rubber End Cap

CompactFlash is a registered trademark of CompactFlash Association.

SAFETY SUMMARY

All safety related regulations, local codes and instructions that appear in the manual or on equipment must be observed to ensure personal safety and to prevent damage to either the instrument or equipment connected to it. If equipment is used in a manner not specified by the manufacturer, the protection provided by the equipment may be impaired.

Do not use the controller to directly command motors, valves, or other actuators not equipped with safeguards. To do so can be potentially harmful to persons or equipment in the event of a fault to the controller. An independent and redundant temperature limit indicator with alarm outputs is strongly recommended.



SPECIFICATIONS

1. POWER: 24 VDC \pm 10%

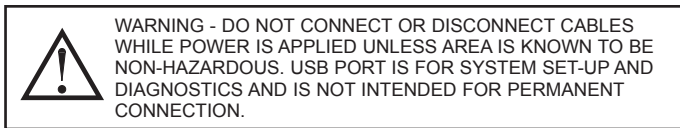
450 mA min. (1 module)

3.4 Amps max. (16 modules + Expansion Card)

Must use NEC Class 2 or Limited Power Source (LPS) rated power supply.

2. COMMUNICATIONS:

USB/PG Port: Adheres to USB 2.0 specification full speed only via Type B connection.



USB Host Port: Complies with Universal Serial Bus Specification Rev 2.0. Support data transfers at full-speed. Hardware over current protected (0.5 A max).

Serial Ports: Format and Baud Rates for each port are individually software programmable. Serial ports are individually isolated.

Communication port to port 1500 VAC

Communication ports to power 1000 VDC

Communication ports to earth 1000 VDC

Note: Units dielectric withstand test per 1 minute. Communication ports: RS232/PG, RS232 port, RS485 port, Ethernet port and option cards.

RS232/PG Port: RS232 port via RJ12

COMMS Ports: RS422/485 port via RJ45, and RS232 port via RJ12

DH485 TXEN: Transmit enable; open collector, $V_{OH} = 15$ VDC,

$V_{OL} = 0.5$ V @ 25 mA max.

Ethernet Port: 10 BASE-T / 100 BASE-TX

RJ45 jack is wired as a NIC (Network Interface Card). The jack shield is electrically connected to Earth ground, but the port is isolated.

3. LEDs:

STS – Status LED indicates condition of master.

USB HOST – HOST LED indicates port status/activity.

TX/RX – Transmit/Receive LEDs show serial activity.

Ethernet – Link and activity LEDs.

CF – CompactFlash LED indicates card status and read/write activity

4. MEMORY:

On-board User Memory: 128 Mbytes of non-volatile Flash memory.

On-board RAM: 64 Mbytes

Memory Card: CompactFlash Type II slot for Type I and Type II cards.

5. **REAL-TIME CLOCK:** Typical accuracy is less than one minute per month drift. Crimson's SNTP facility allows synchronization with external servers.

Battery: Lithium Coin Cell. Typical lifetime of 10 years at 25 °C.

A "Battery Low" system variable is available so that the programmer can choose specific action(s) to occur when the battery voltage drops below its nominal voltage.

This unit is NOT field serviceable. All work must be done by a qualified technician.

6. ENVIRONMENTAL CONDITIONS:

Operating Temperature Range: 0 to 45°C

Storage Temperature Range: -30 to +70°C

Vibration to IEC 68-2-6: Operational 5-150 Hz, 1 g

Shock to IEC 68-2-27: Operational 25 g

Operating and Storage Humidity: 80% max relative humidity, non-condensing, from 0 to 50°C

Altitude: Up to 2000 meters

7. **CONSTRUCTION:** Case body is burgundy high impact plastic and stainless steel. For indoor use only. Installation Category II, Pollution Degree 2.

8. **POWER CONNECTION:** Removable wire clamp screw terminal block.

Wire Gauge Capacity: 24 AWG to 12 AWG

Torque: 4.45 to 5.34 in/lb (0.5 to 0.6 N-m)

9. **MOUNTING:** Snaps onto standard DIN style top hat (T) profile mounting rails according to EN50022 -35 x 7.5 and -35 x 15.

10. CERTIFICATIONS AND COMPLIANCES:

CE Approved

EN 61326-1 Immunity to Industrial Locations

Emission CISPR 11 Class A

Safety requirements for electrical equipment for measurement, control, and laboratory use:

EN 61010-1: General Requirements

EN 61010-2-030: Particular Requirements for Testing and Measuring Circuits

EN 61010-2-201: Particular Requirements for Control Equipment

RoHS Compliant

UL Listed: File #E302106

UL Hazardous: File #E317425

ABS Certificate #09-HS426719-B-4-PDA

Refer to EMC Installation Guidelines section of the bulletin for additional information.

11. **WEIGHT:** 1.30 lb (590 g)

HARDWARE INSTALLATION

DIN rail should be mounted horizontally so that the unit's ventilation holes are vertical in relation to cabinet orientation. A minimum clearance of 1 inch (25.4 mm) should be maintained above and below the unit in order to ensure proper thermal regulation. A minimum top clearance of 3.00 inch is needed when using the USB/PG port.

The unit shall be installed inside a UL Listed Industrial Control Panel or similar type of enclosure. A minimum 3.2 mm distance shall be maintained between the hazardous live parts of the equipment and accessible parts of the fire/electrical enclosure.

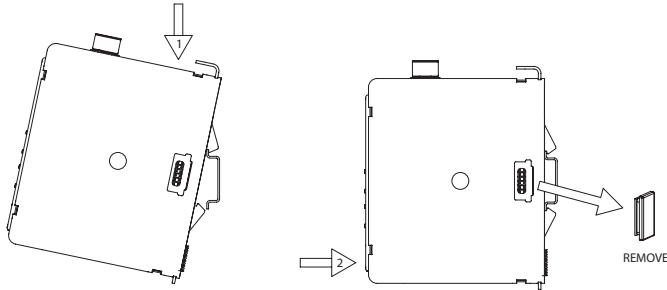


Figure 1 - Attach Master To DIN Rail and Remove Rubber End Cap

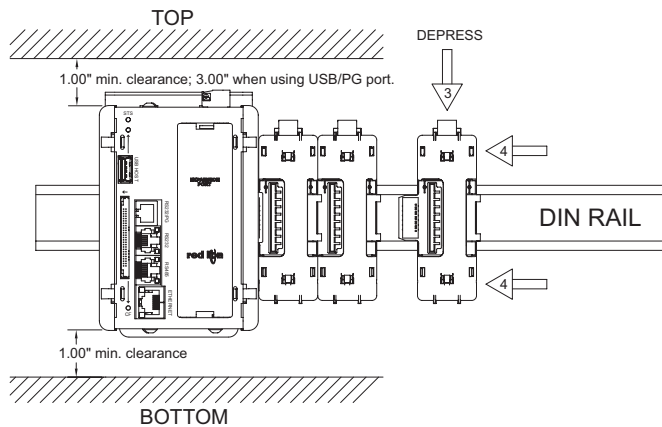


Figure 2 - Attach Slave Bases To DIN Rail

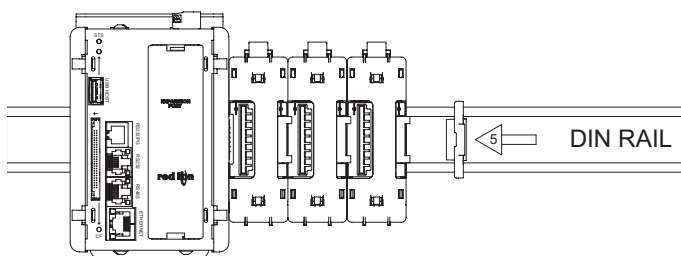


Figure 3 - Attach Termination Plug*
* Supplied with Master.

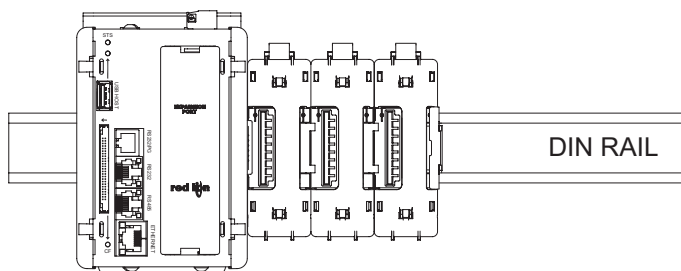
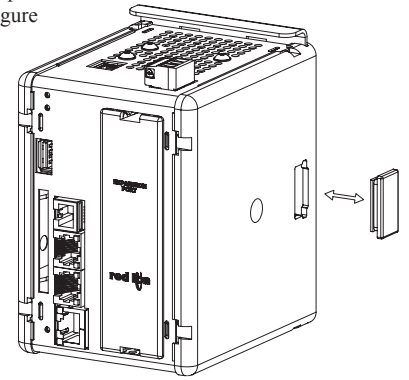


Figure 4 - Installation Complete

PROTOCOL CONVERSION

Mount the Master as shown under Hardware Installation Figure 1. Install the rubber end cap. The end cap protects the pins from damage. Configure the Master for zero modules.



POWER SUPPLY REQUIREMENTS

It is very important that the power supply is mounted correctly if the unit is to operate reliably. Please take care to observe the following points:

- The power supply must be mounted close to the unit, with usually not more than 6 feet (1.8 m) of cable between the supply and the master. Ideally, the shortest length possible should be used.
- The wire used to connect the Master's power supply should be at least 22-gauge wire. If a longer cable run is used, a heavier gage wire should be used. The routing of the cable should be kept away from large contactors, inverters, and other devices which may generate significant electrical noise.
- A power supply with an NEC Class 2 or Limited Power Source (LPS) and SELV rating is to be used. This type of power supply provides isolation to accessible circuits from hazardous voltage levels generated by a mains power supply due to single faults. SELV is an acronym for "safety extra-low voltage." Safety extra-low voltage circuits shall exhibit voltages safe to touch both under normal operating conditions and after a single fault, such as a breakdown of a layer of basic insulation or after the failure of a single component has occurred.

Visit www.redlion.net for a complete list of our PSDR Series of NEC Class 2 power supplies.

EMC INSTALLATION GUIDELINES

Although Red Lion Controls Products are designed with a high degree of immunity to Electromagnetic Interference (EMI), proper installation and wiring methods must be followed to ensure compatibility in each application. The type of the electrical noise, source or coupling method into a unit may be different for various installations. Cable length, routing, and shield termination are very important and can mean the difference between a successful or troublesome installation. Listed are some EMI guidelines for a successful installation in an industrial environment.

1. A unit should be mounted in a metal enclosure, which is properly connected to protective earth.
2. Use shielded cables for all Signal and Control inputs. The shield connection should be made as short as possible. The connection point for the shield depends somewhat upon the application. Listed below are the recommended methods of connecting the shield, in order of their effectiveness.
 - a. Connect the shield to earth ground (protective earth) at one end where the unit is mounted.
 - b. Connect the shield to earth ground at both ends of the cable, usually when the noise source frequency is over 1 MHz.
3. Never run Signal or Control cables in the same conduit or raceway with AC power lines, conductors, feeding motors, solenoids, SCR controls, and heaters, etc. The cables should be run through metal conduit that is properly grounded. This is especially useful in applications where cable runs are long and portable two-way radios are used in close proximity or if the installation is near a commercial radio transmitter. Also, Signal or Control cables within an enclosure should be routed as far away as possible from contactors, control relays, transformers, and other noisy components.
4. Long cable runs are more susceptible to EMI pickup than short cable runs.
5. In extremely high EMI environments, the use of external EMI suppression devices such as Ferrite Suppression Cores for signal and control cables is effective. The following EMI suppression devices (or equivalent) are recommended:

Fair-Rite part number 0443167251 (RLC part number FCOR0000)

Line Filters for input power cables:

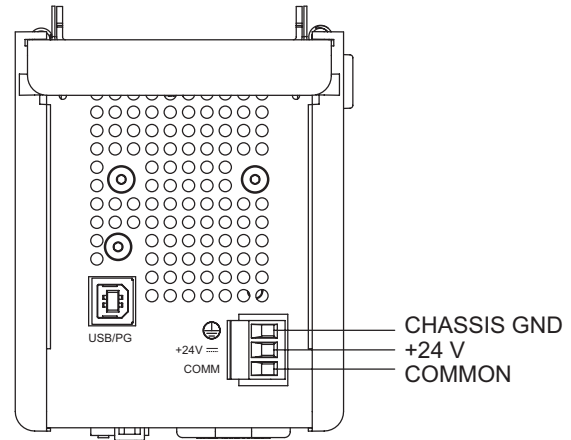
Schaffner # FN2010-1/07 (Red Lion Controls # LFIL0000)

6. To protect relay contacts that control inductive loads and to minimize radiated and conducted noise (EMI), some type of contact protection network is normally installed across the load, the contacts or both. The most effective location is across the load.
 - a. Using a snubber, which is a resistor-capacitor (RC) network or metal oxide varistor (MOV) across an AC inductive load is very effective at reducing EMI and increasing relay contact life.
 - b. If a DC inductive load (such as a DC relay coil) is controlled by a transistor switch, care must be taken not to exceed the breakdown voltage of the transistor when the load is switched. One of the most effective ways is to place a diode across the inductive load. Most RLC products with solid state outputs have internal zener diode protection. However external diode protection at the load is always a good design practice to limit EMI. Although the use of a snubber or varistor could be used.
RLC part numbers: Snubber: SNUB0000
Varistor: ILS11500 or ILS23000

7. Care should be taken when connecting input and output devices to the instrument. When a separate input and output common is provided, they should not be mixed. Therefore a sensor common should NOT be connected to an output common. This would cause EMI on the sensitive input common, which could affect the instrument's operation.

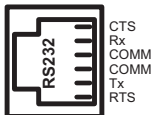
Visit RLC's web site at <http://www.redlion.net/emi> for more information on EMI guidelines, Safety and CE issues as they relate to Red Lion Controls products.

WIRING POWER CONNECTION



PROGRAMMING PORTS

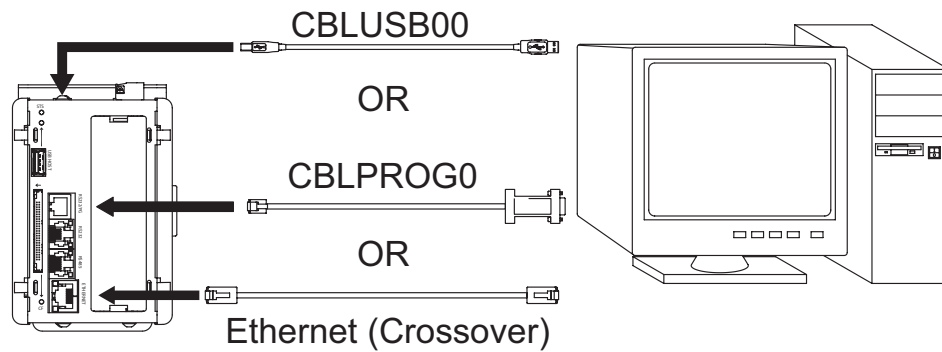
RS232/PG



USB/PG

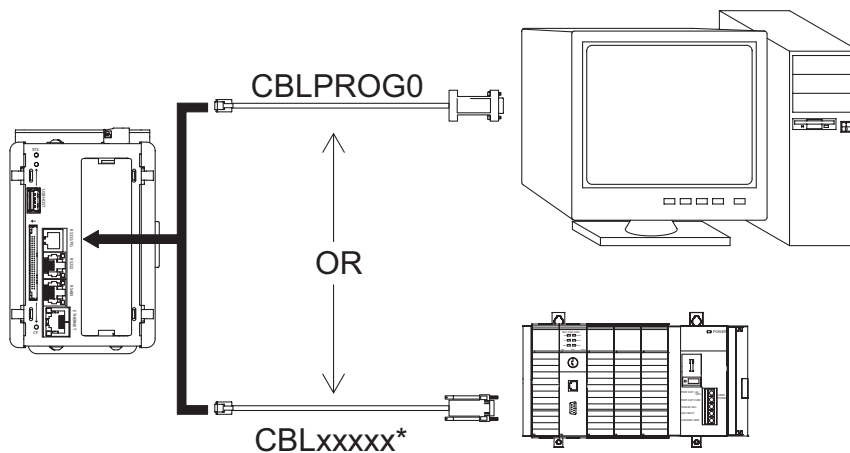
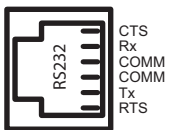


ETHERNET

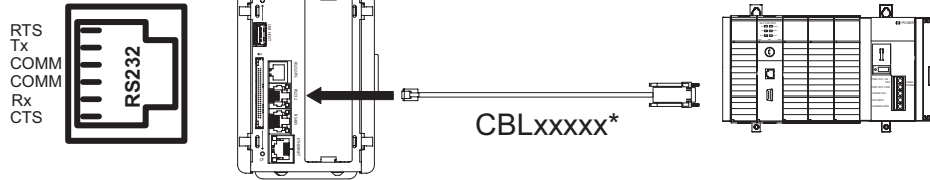


COMMUNICATION PORTS

RS232/PG

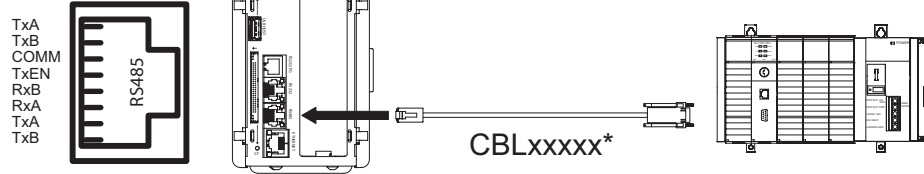


RS232



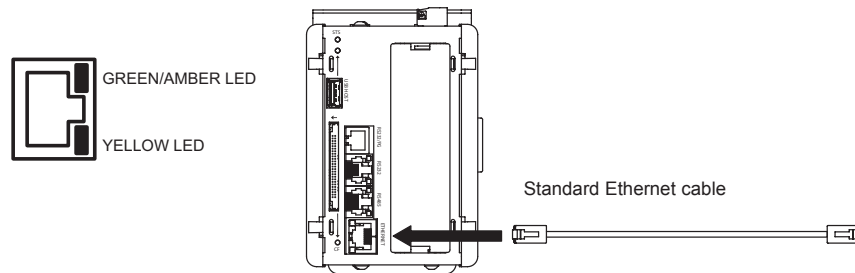
* Use appropriate communications cable. See Ordering Information for descriptions of the available cables.

RS485

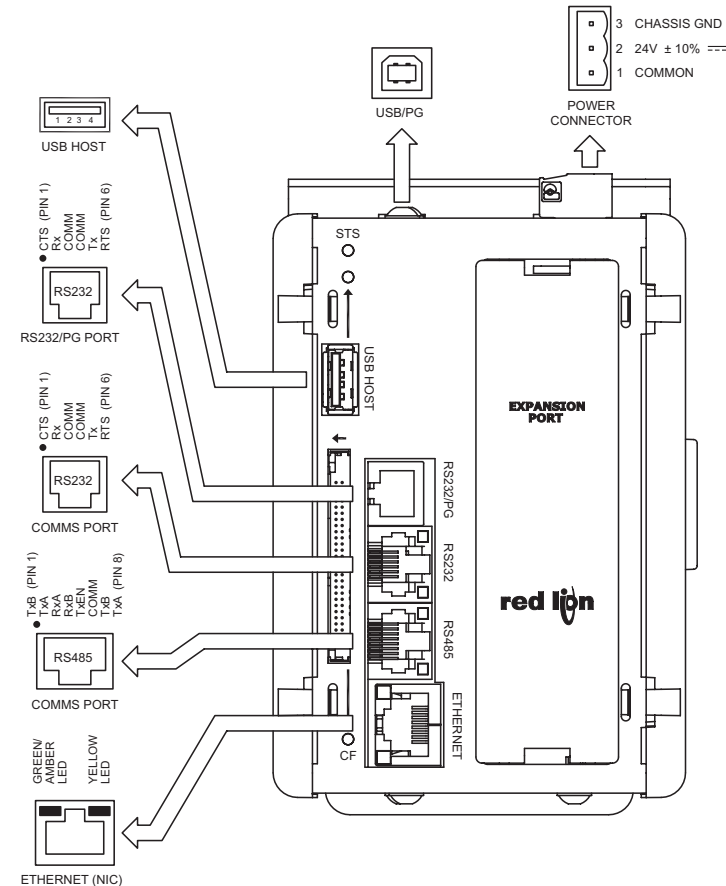


WARNING: Do **NOT** use a standard DH-485 cable to connect this port to Allen Bradley equipment.

ETHERNET CONNECTION



CS MASTER PORT PIN OUTS



TROUBLESHOOTING

If for any reason you have trouble operating, connecting, or simply have questions concerning your new master, contact Red Lion's technical support. For contact information, refer to the back page of this bulletin for phone and fax numbers.

EMAIL: techsupport@redlion.net
Web Site: <http://www.redlion.net>

COMMUNICATING WITH THE CS MASTER

CONFIGURING A MASTER

The CSMSTRZR is configured using Crimson software. Crimson is available as a free download from Red Lion's website. Updates to Crimson for new features and drivers are posted on the website as they become available. By configuring the master using the latest version of Crimson, you are assured that your unit has the most up to date feature set. Crimson software can configure the CSMSTRZR through the RS232/PG port, USB/PG port, Ethernet or CompactFlash. The USB/PG port is connected using a standard USB cable with a Type B connector.


The driver needed to use the USB port will be installed with Crimson. The RS232/PG port uses a programming cable made by Red Lion to connect to the DB9 COM port of your computer. If making your own cable, refer to the "CS Master Port Pin Outs" for wiring information.

The CompactFlash can be used to program a CS Master by placing a configuration file and firmware on the CompactFlash card. The card is then inserted into the target master and powered. Refer to the Crimson literature for more information on the proper names and locations of the files.

CABLES AND DRIVERS

Red Lion has a wide range of cables and drivers for use with many different communication types. A list of these drivers and cables along with pin outs is available from Red Lion's website. New cables and drivers are added on a regular basis. If making your own cable, refer to the "CS Master Port Pin Outs" for wiring information.

USB/PG, DATA TRANSFERS FROM THE COMPACTFLASH CARD



WARNING - USB/PG PORT IS FOR SYSTEM SET-UP AND DIAGNOSTICS AND IS NOT INTENDED FOR PERMANENT CONNECTION.

In order to transfer data from the CompactFlash card via the USB/PG port, a driver must be installed on your computer. This driver is installed with Crimson and is located in the folder C:\Program Files\Red Lion Controls\Crimson x.x\Device\ after Crimson is installed. This may have already been accomplished if your CS Master was configured using the USB/PG port.

Once the driver is installed, connect the master to your PC with a USB cable, and follow "Mounting the CompactFlash" instructions in the Crimson user manual.

Note that using the USB/PG port for frequent data transfers is not recommended. For frequent data transfers it is recommended that the Ethernet connection be used. Through the Ethernet connection a web page can be set up to view logged data. Refer to the Crimson manual for details.

Note: The USB/PG port is for system set-up and diagnostics and is not intended for permanent connection.

ETHERNET COMMUNICATIONS

Ethernet communications can be established at either 10 BASE-T or 100 BASE-TX. The CS Master's RJ45 jack is wired as a NIC (Network Interface Card). For example, when wiring to a hub or switch use a straight-through cable, but when connecting to another NIC use a crossover cable.

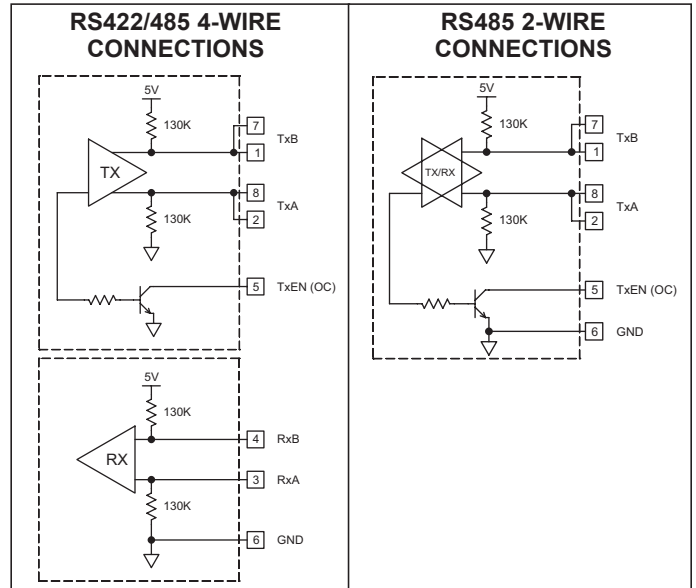
The Crimson manual contains additional information on Ethernet communications.

RS232 PORTS

The CS Master has two RS232 ports. There is the RS232/PG port and the COMMS port. Although only one of these ports can be used for programming, both ports can be used for communications with a PLC. The RS232/PG port can be used for either master or slave protocols.

RS422/485 PORT

The CS Master has one RS422/485 port. This port can be configured to act as either RS422 or RS485.



Note: All Red Lion devices connect A to A and B to B. Refer to www.redlion.net for additional information.

DH485 COMMUNICATIONS

The CS Master's RS422/485 COMMS port can also be used for Allen Bradley DH485 communications.

WARNING: DO NOT use a standard DH485 cable to connect this port to Allen Bradley equipment. A cable and wiring diagram are available from Red Lion.

LEDS

STS – STATUS LED

The green Status LED provides information regarding the state of the CS Master, as well as the rest of the system. This includes indication of the various stages of the start-up routine (power-up), and any errors that may occur.

Startup Routine

LED	INDICATION
Rapidly Flashing	CS Master is currently running the boot loader and/or being flash upgraded by Crimson.
Steady	CS Master is operating properly.

Error States

LED	INDICATION
1 blink, pause, repeat	One or more slave modules are missing from the system. CS Master and installed modules will perform normally in this state.
2 blinks, pause, repeat	Missing configuration, or configuration being updated by Crimson.
3 blinks, pause, repeat	Quantity of module bases does not match configuration file. CS Master will not communicate with the modules until the error is corrected.
4 blinks, pause, repeat	Termination plug not installed, or one or more bases are malfunctioning. CS Master will not communicate with the modules until the plug is reinstalled, and power is cycled.

CF LED

LED	INDICATION
Off	No CompactFlash Card is present.
Steady	Valid CompactFlash card is present.
Flashing Rapidly	CompactFlash card is being checked.
Flickering	Unit is writing to the CompactFlash, either because it is storing data, or because the PC connected via the USB port has locked the drive. ¹
Flashing Slowly	Incorrectly formatted CompactFlash card present.

1. Do not turn off power to the unit while this light is flickering. The unit writes data in two minute intervals. Later Microsoft operating systems will not lock the drive unless they need to write data; Windows 98 may lock the drive any time it is mounted, thereby interfering with logging. Refer to "Mounting the CompactFlash" in the Crimson User Manual.

USER COMMUNICATION PORTS - TX/RX LEADS

LED	INDICATION
GREEN	Transmitting
RED	Receiving

Note: LEDs are not available on the Programming Port: RS232/PG.

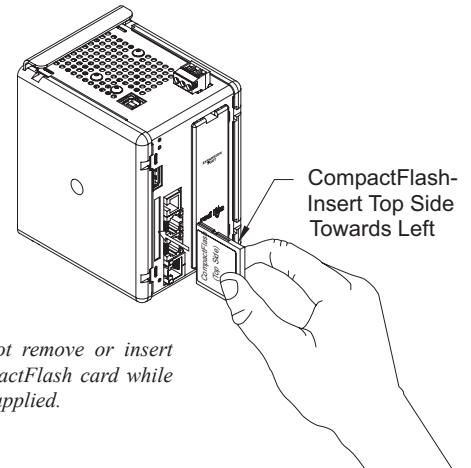
ETHERNET LEADS

LED	INDICATION
YELLOW (Solid)	Link Established
YELLOW (Flashing)	Network Activity
GREEN	10 BASE-T Communications
AMBER	100 BASE-TX Communications

COMPACTFLASH® CARD

CompactFlash socket is a Type II socket that can accept either Type I or II cards. Use cards with a minimum of 4 Mbytes and formatted to a maximum of 2 Gbytes (see Note box below) with the Master's CompactFlash socket. Cards are available at most computer and office supply retailers. CompactFlash can be used for configuration transfers, data logging, and trending.

Information stored on a CompactFlash card can be read by a card reader attached to a PC. This information is stored in IBM (Windows®) PC compatible FAT16 file format.



Note: Do not remove or insert the CompactFlash card while power is applied.

NOTE

For reliable operation of this and other Red Lion products, one of the following brands of CompactFlash card must be used...

SimpleTech SMART® Modular swissbit®
SanDisk® Silicon Systems

Not all of the above manufacturers offer CompactFlash cards recognized to UL standards, which may be required for your application. Although RLC products limit use of CompactFlash card memory to 2 GB, cards with a larger capacity can be used. They MUST be formatted to 2 GB and use the FAT 16 file system. It is recommended to format the CF card using the format utility from within Crimson.

ORDERING INFORMATION

TYPE	MODEL NO.	DESCRIPTION	PART NUMBER
Master	CSMSTRZR ¹	Enhanced Modular Controller Master	CSMSTRZR
Communications Cables (10 feet)	CBL	RS232 Programming Cable	CBLPROG0
		USB Cable	CBLUSB00
		Communications Cables ²	CBLxxxx
Power Supply	PSDR	DIN Rail Mounted Power Supply	PSDRxxxx
Accessories	XCCN	CANopen option card for ProductVity Station, Modular Controller or Data Station Plus	XCCN0000
	XCDN	DeviceNet option card for ProductVity Station, Modular Controller or Data Station Plus	XCDN0000
	XCENET	Ethernet option card for ProductVity Station, Modular Controller or Data Station Plus	XCENET00
	XCGSM	GSM Cellular option card for ProductVity Station, Modular Controller or Data Station Plus	XCGSM000
	XCPB	PROFIBUS option card for ProductVity Station, Modular Controller or Data Station Plus	XCPBDP00
	XCRS	RS232/485 option card for ProductVity Station, Modular Controller or Data Station Plus	XCRS0000
	G3CF	CompactFlash Card ³	G3CFxxxx
		Rail Stops (Qty 2)	RSRSTP00
	Replacement Base	CSBASE00	
	Replacement Termination Plug	CSTERM00	
	Replacement Rubber End Cap	CSBUNG00	

Notes:

¹ For a complete list of PID modules & data acquisition modules, go to www.redlion.net/link/wp.asp?ID=6162.

² For a complete list of communications drivers and cables, go to www.redlion.net/link/wp.asp?ID=6163.

³ Industrial grade two million write cycles. SMART Modular Technologies model SG9CF (UL Listed Directory Category NWGQ).

LIMITED WARRANTY

The Company warrants the products it manufactures against defects in materials and workmanship for a period limited to two years from the date of shipment, provided the products have been stored, handled, installed, and used under proper conditions. The Company's liability under this limited warranty shall extend only to the repair or replacement of a defective product, at The Company's option. The Company disclaims all liability for any affirmation, promise or representation with respect to the products.

The customer agrees to hold Red Lion Controls harmless from, defend, and indemnify RLC against damages, claims, and expenses arising out of subsequent sales of RLC products or products containing components manufactured by RLC and based upon personal injuries, deaths, property damage, lost profits, and other matters which Buyer, its employees, or sub-contractors are or may be to any extent liable, including without limitation penalties imposed by the Consumer Product Safety Act (P.L. 92-573) and liability imposed upon any person pursuant to the Magnuson-Moss Warranty Act (P.L. 93-637), as now in effect or as amended hereafter.

No warranties expressed or implied are created with respect to The Company's products except those expressly contained herein. The Customer acknowledges the disclaimers and limitations contained herein and relies on no other warranties or affirmations.

Red Lion Controls
Headquarters
20 Willow Springs Circle
York PA 17406
Tel +1 (717) 767-6511
Fax +1 (717) 764-0839

Red Lion Controls
Europe
Softwareweg 9
NL - 3821 BN Amersfoort
Tel +31 (0) 334 723 225
Fax +31 (0) 334 893 793

Red Lion Controls
India
201-B, 2nd Floor, Park Centra
Opp 32 Mile Stone, Sector-30
Gurgaon-122002 Haryana, India
Tel +91 984 487 0503

Red Lion Controls
China
Unit 1102, XinMao Plaza
Building 9, No.99 Tianzhou Road
ShangHai, P.R. China 200223
Tel +86 21 6113 3688
Fax +86 21 6113 3683