

# V2416A Series

*Compact, fanless, anti-vibration railway computers*



- > Intel Celeron/Core i7 high performance network video recorder for rolling stock applications
- > Two hot-swappable trays for 2.5" HDD/SSD storage expansion
- > API Library for easy development and storage volume notification
- > Dual independent DVI-I displays
- > 2 Gigabit Ethernet ports with M12 X-coded connectors
- > 2 CFast sockets for OS backup
- > M12 A-coded power connector
- > Compliant with EN 50121-4
- > Complies with a portion of EN 50155 specifications
- > IEC 61373 certified for shock and vibration resistance
- > -40 to 70°C wide temperature models available
- > Supports SNMP-based system configuration, control, and monitoring (Windows Embedded Standard 7 only)



## Introduction

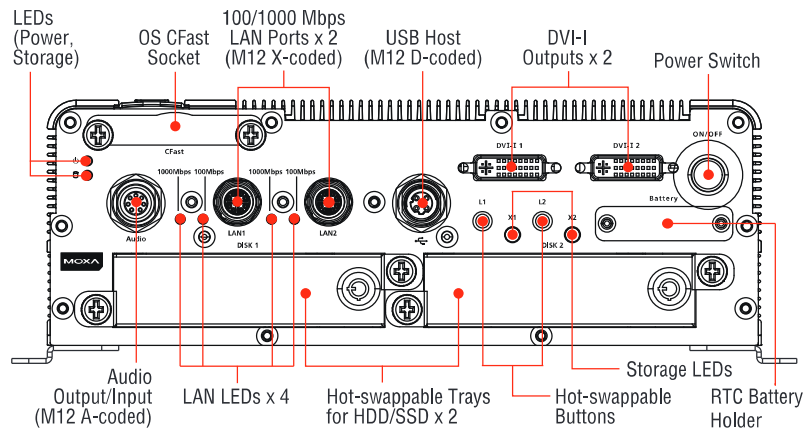
The V2416A Series embedded computers are based on the Intel 3rd generation processor and feature 4 RS-232/422/485 serial ports, dual LAN ports, and 3 USB 2.0 hosts. In addition, V2416A computers provide dual DVI-I outputs and comply with a portion of EN 50155 specifications, covering operating temperature, power input voltage, surge, ESD, and vibration, making them suitable for a variety of industrial applications.

The CFast socket, SATA connectors, and USB sockets provide the V2416A computers with further reliability, perfect for industrial

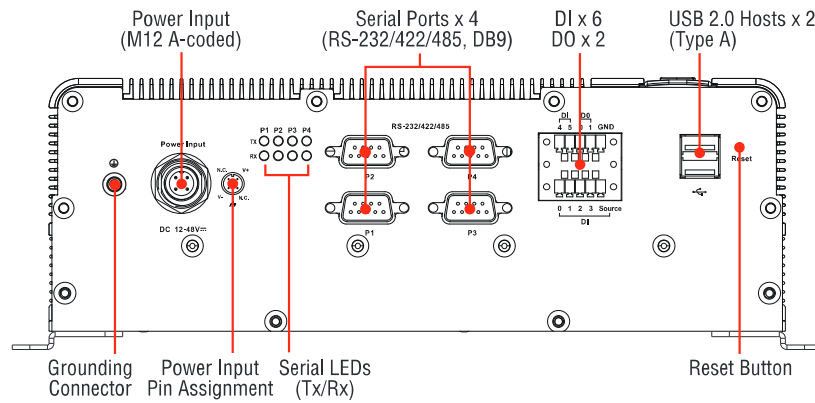
applications that require data buffering and storage expansion. Most importantly, the V2416A computers come with 2 hot-swappable storage trays for inserting additional storage media, such as hard disk or solid-state drives, and support hot swapping for convenient, fast, and easy storage replacement. Each storage tray has its own LED to indicate whether or not a storage module is plugged in V2416A series computers come pre-installed with a choice of Linux Debian 7 or Windows Embedded Standard 7 to provide programmers with a familiar environment in which to develop sophisticated, bug-free application software at a low cost.

## Appearance

Front View



Rear View



Hardware Specifications

Computer

CPU:

- Intel Celeron 1047UE processor (2M cache, 1.40 GHz) for the V2416A-C2 series
- Intel Core i7-3517UE processor (6M cache, 1.7 GHz) for the V2416A-C7 series

OS: Windows Embedded Standard 7 or Linux Debian 7

System Chipset: Mobile Intel® HM65 Express

System Memory: 1 DDR3-1600 SO-DIMM SDRAM slot, 8 GB max., 4 GB pre-installed

USB: 3 bootable USB 2.0 ports (2 type A, 1 M12 D-coded)

Storage

HDD/SSD Support: 2 hot-swappable trays for 2.5" HDD/SSD storage expansion\*

\*Storage drive not included. Must be purchased separately.

CFast Support: 1 slot for OS\*, 1 slot for backup storage

\*32-bit W7E requires at least an 8 GB CFast card

\*64-bit W7E requires at least a 16 GB CFast card (optional)

\*Linux Debian 7 requires at least an 8 GB CFast card (must be purchased separately)

Other Peripherals

Audio: Line-in, line-out interface (M12 A-coded)

Display

Graphics Controller: Intel® HD Graphics 4000 (integrated)

Connector Type: 2 DVI-I connectors

Display Interface:

DVI up to 1920x1200 resolution @ 60 Hz

VGA up to 1920x1200 resolution @ 60 Hz

VGA up to 2048x1536 resolution @ 75 Hz

Ethernet Interface

LAN: 2 auto-sensing 10/100/1000 Mbps ports (M12 X-coded)

Isolation Protection: 1.5 kV

Serial Interface

Serial Standards: 4 software-selectable RS-232/422/485 ports (DB9 male)

ESD Protection: 4 kV for all signals

Isolation Protection: 1.5 kV

Serial Communication Parameters

Data Bits: 5, 6, 7, 8

Stop Bits: 1, 1.5, 2

Parity: None, Even, Odd, Space, Mark

Flow Control: RTS/CTS, XON/XOFF, ADDC® (automatic data direction control) for RS-485

Baudrate: 50 bps to 921.6 kbps (non-standard baudrates supported; see user's manual for details)

Serial Signals

RS-232: TxD, RxD, DTR, DSR, RTS, CTS, DCD, GND

RS-422: TxD+, TxD-, RxD+, RxD-, GND

RS-485-4w: TxD+, TxD-, RxD+, RxD-, GND

RS-485-2w: Data+, Data-, GND

Digital Input

Input Channels: 6, source type

Input Voltage: 0 to 30 VDC at 25 Hz

Digital Input Levels for Dry Contacts:

- Logic level 0: Close to GND
- Logic level 1: Open

Digital Input Levels for Wet Contacts:

- Logic level 0: +3 V max.
- Logic level 1: +10 V to +30 V (Source to DI)

Isolation: 3 kV optical isolation

Digital Output

Output Channels: 2, sink type

Output Current: Max. 200 mA per channel

On-state Voltage: 24 VDC nominal, open collector to 30 VDC

Connector Type: 10-pin screw-fastened Euroblock terminal (6 inputs, 2 outputs, DI Source, GND)

Isolation: 3 kV optical isolation

LEDs

System: Power x 1, Storage x 1, hot-swappable trays x 2

LAN: 2 per port (10/100/1000 Mbps)

Serial: 2 per port (Tx and Rx)

Switches and Buttons

Power Switch: on/off (front panel)

Reset Button: For warm reboot (front panel)

Hot-swappable: trigger (on each removable tray)

Physical Characteristics

Housing: Aluminum

Weight: 4 kg

Dimensions:

Without ears: 250 x 86 x 154 mm (9.84 x 3.38 x 6.06 in)

With ears: 275 x 92 x 154 mm (10.83 x 3.62 x 6.06 in)

Mounting: DIN rail, wall, VESA

Environmental Limits

Operating Temperature\*:

Standard models: -25 to 55°C (-13 to 131°F)

Wide temp. models: -40 to 70°C (-40 to 158°F)

Storage Temperature\*: -40 to 85°C (-40 to 185°F)

\*without HDD installed

Ambient Relative Humidity: 5 to 95% (non-condensing)

Anti-Vibration: EN 50155 standard

Anti-Shock: EN 50155 standard

Conformal Coating: Available on request

Power Requirements

Input Voltage: 12 to 48 VDC (M12 A-coded)

Note: Compliant with EN 50155 at 24 VDC

Power Consumption:

• 3.3 A @ 12 VDC, 39.6 W

• 0.82 A @ 48 VDC, 39.4 W

## Standards and Certifications

**Safety:** UL 60950-1, EN 60950-1

**EMC:** EN 55022/24

**EMI:**

CISPR 22, FCC Part 15B Class A

**EMS:**

IEC 61000-4-2 ESD: Contact 6 kV; Air 8 kV

IEC 61000-4-3 RS: 20 V/m (80 MHz to 1 GHz)

IEC 61000-4-4 EFT: Power 2 kV; Signal 2 kV

IEC 61000-4-5 Surge: Power 2 kV; Signal 2 kV

IEC 61000-4-6 CS: 10 V

IEC 61000-4-8

**Green Product:** RoHS, CRoHS, WEEE

**Rail Traffic:** EN 50155\*, EN 50121-3-2, EN 50121-4, IEC 60571

\*Complies with a portion of EN 50155 specifications. Please contact Moxa or a Moxa distributor for details.

## Reliability

**Automatic Reboot Trigger:** Software-programmable watchdog timer configurable from 1 to 255 seconds

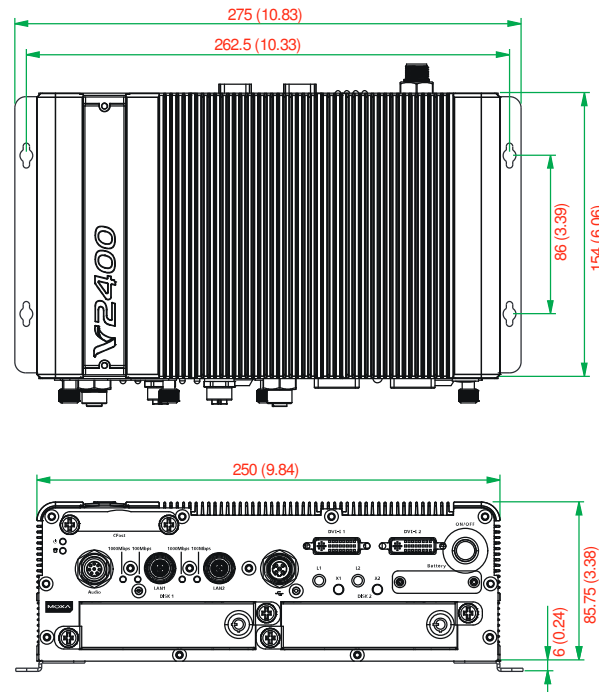
## Warranty

**Warranty Period:** 3 years

**Details:** See [www.moxa.com/warranty](http://www.moxa.com/warranty)

**Note:** These hardware specifications describe the embedded computer unit itself, but not its official accessories. In particular, the wide temperature specification

## Dimensions



Unit: mm (inch)

## Software Specifications

### Linux

**OS:** Linux Debian 7

**File System:** EXT 4

**Internet Protocol Suite:** TCP, UDP, IPv4, SNMPv1/v2c/v3, ICMP, ARP, HTTP, SSH 1.0/2.0, SSL, DHCP, NTP, NFS, Telnet, FTP, TFTP, PPP, PPPoE

**Internet Security:** OpenVPN, Netfilter/iptables

**Web Server (Apache):** Allows you to create and manage web sites; supports PHP and XML

**Secure Shell for Remote Access:** SSH allows remote logins to a secure encrypted console from any connected network dial-up

**Terminal Server (SSH):** Provides secure encrypted communications between two un-trusted hosts over an insecure network

**Dial-up Networking:** PPP Daemon for Linux that allows Unix machines to connect to the Internet through dialup lines, using the Point-to-Point Protocol (PPP). Works with 'chat', 'dip', and 'dialup', 'dip', and 'diald', among (many) others. Supports IP, TCP, UDP, and (for Linux) IPX (Novell)

**File Server:** Enables remote clients to access files and other resources over the network

**Watchdog:** A watchdog timer that triggers a system reset upon software freezes, for both specific applications and system-wide failures.

### Application Development Software:

- Moxa API Library (Watchdog timer, Moxa serial I/O control, Moxa DI/DO API)
- GNU C library
- Perl

### Windows Embedded Standard 7

#### Core OS:

- 32-bit or 64-bit supported
- Remote Client
- Remote Procedure Call

#### Applications and Services Development:

- .Net Framework 4.5
- Remote Desktop Protocol 7.1
- COM OLE Application Support
- COM+ Application Support
- MSMQ

#### Internet Services:

- Internet Explorer 11
- IIS 7.0

#### File Systems and Data Storage:

- Windows Data Access Components
- Windows Backup and Restore

**Diagnostics:**

- Common Diagnostic Tools
- Problem Reports and Solutions

**Fonts:** Chinese (Trad. and Simp.), Japanese, Korean, Western, Middle Eastern, South East Asian, and South Asian Fonts

**Graphics and Multimedia:**

- MPEG DTV-DVD Audio Decoder (MPEG-2, AAC)
- MPEG Layer-3 Audio Codecs (MP3)
- MPEG4 Decoders
- Windows Media Video VC-1 (WMV) Codecs
- DirectX and Windows Device Experience
- Windows Media Player 12

**Management:**

- Group Policy Management
- Windows Management Instrument (WMI)
- Windows Update

**Networking:**

- Extensible Authentication Protocol (EAP)
- Internet Authentication Service
- Telnet Server
- Bluetooth
- Domain Services

- Network Access Protection
- Network and Sharing Center
- Quality of Service
- Remote Access Service (RAS)
- Telephony API Client
- Windows Firewall
- Wireless Networking

**Security:**

- Credential Roaming Service
- Credentials and Certificate Management
- Windows Authorization Manager (AZMAN)
- Windows Security Center
- Active Directory Rights Management
- Security Base
- Encrypted File System (EFS)

**Embedded Features:**

- Enhanced Write Filter (EWF)
- File-Based Write Filter (FBWF)
- Message Box Default Reply
- Registry Filter
- WSDAPI for .NET

**Embedded Self-Health Diagnostic Software:** SNMP-based remote scripting layer for monitoring, reporting, and control

**SmartRecovery:** BIOS level system recovery tool

**Ordering Information**

Type	CTO Models						Pre-Configured Models		
Model	V2416A-C2	V2416A-C2-T	V2416A-C2-CT-T	V2416A-C7	V2416A-C7-T	V2416A-C7-CT-T	V2416A-C2-W7E	V2416A-C2-T-W7E	V2416A-C7-T-W7E
<b>Computer</b>									
CPU	Intel Celeron 1047UE 1.4 GHz			Intel Core i7-3517UE 1.7 GHz			Intel Celeron 1047UE 1.4 GHz		Intel Core i7-3517UE 1.7 GHz
Operating System (CTO*)	Optional Note: Windows Embedded Standard 7 (32-bit/64-bit) or Linux Debian 7 (64-bit)						Windows Embedded Standard 7 (32-bit)		
Memory (CTO*)	4 GB pre-installed, can be upgraded to 8 GB						4 GB pre-installed		
USB	USB 2.0 (Type A) x 2 USB 2.0 (M12 D-coded) x 1								
Power Input Voltage	12 to 48 VDC (M12 A-coded)								
<b>Storage</b>									
OS CFast Storage (CTO*)	Optional Note: 32-bit W7E requires at least an 8 GB CFast card, 64-bit W7E requires at least a 16 GB CFast card, and 64-bit Debian7 requires at least an 8 GB CFast card						8 GB CFast card pre-installed		
Backup CFast Storage (CTO*)	Optional								
SSD / HDD Storage (CTO*)	EN50155 Anti-vibration 2.5" SSD / HDD hot-swappable storage tray x 2 Note: Storage drive to be purchased separately								
<b>Interface</b>									
Display Interface	DVI-I x 2								
Audio Interface	Line in/out (M12 A-coded) x 1								
Ethernet Interface	10/100/1000 Mbps (M12 X-coded) x 2								
Serial Port	RS-232/422/485 (DB9) x 4								
Digital Input Channel	6								
Digital Output Channel	2								
<b>Environmental Limits</b>									
Operating Temperature	T1: -25 to 55°C	TX: -40 to 70°C		T1: -25 to 55°C	TX: -40 to 70°C		T1: -25 to 55°C	TX: -40 to 70°C	
Conformal Coating	-	Yes		-	Yes		-		

\*CTO = Configure To Order

Note:

Please refer to the Component Compatibility Guide (CCG) for the list of components that Moxa has validated to be compatible with this product. You can download the CCG from the Moxa product website.

For components with a Moxa P/N, you can order the components together with your product from Moxa and we will install the selected components in your product. Moxa guarantees the compatibility of the components installed in your product through CTO.

**Package Checklist**

- V2416A series embedded computer
- Wall mounting kit
- 8 screws for hot-swappable HDD trays
- 8 HDD soft washers
- 2 keys for hot-swappable HDD trays
- Documentation and software CD or DVD
- Quick installation guide (printed)
- Warranty card

**Optional Accessories (can be purchased separately)**

Type	Model	Description
 Cable & Connector	CBL-M12XMM8PRJ45-BK-100-IP67	1-meter X-coded M12-to-RJ45 Cat-5E UTP Gigabit Ethernet cable, 8-pin male M12 connector, IP67-rated
 Connector	M12X-8PMM-IP67	Field-installation X-coded screw-in Gigabit Ethernet connector, 8-pin male M12 connector, IP67-rated
<b>Mounting Kit</b>		
 Isolated Wall Mounting Kit	V2400 Isolated Wall Mounting Kit	Wall mounting kit with isolation protection. Including two wall mount brackets and four screws
 DIN-rail Mounting Kit	DK-DC50131-01	DIN-rail mounting kit. Including two DIN-rail brackets and eight screws
<b>Power</b>		
 Cable	CBL-M12(FF5P)/Open-100 IP67	1-meter A-coded M12-to-5-pin power cable, 5-pin female M12 connector, IP67-rated
 Connector	M12A-5P-IP68	Field-installation A-coded screw-in power connector, 5-pin female M12 connector, IP68-rated
 Adapter	PWR-24250-DT-S1	Power adapter with input: 100 to 240 VAC, 50 to 60 Hz, 1.5 A, output: 24 VDC, 2.5 A, 60 W, for test and system development in the office under ambient temperature
 Power Cord	PWC-C7US-2B-183	Power cord with 2-pin connector, USA plug
 Power Cord	PWC-C7EU-2B-183	Power cord with 2-pin connector, Euro plug
 Power Cord	PWC-C7UK-2B-183	Power cord with 2-pin connector, British plug
 Power Cord	PWC-C7AU-2B-183	Power cord with 2-pin connector, Australia plug
 Power Cord	PWC-C7CN-2B-183	Power cord with 2-pin connector, China plug
<b>Audio</b>		
 Connector	M12A-8PMM-IP67	Field-installation A-coded 8-pin male screw-in M12 connector, IP67-rated
<b>USB</b>		
 Connector	M12A-5PMM-IP68	D-coded screw-in USB connector, 5-pin male M12 connector, IP68-rated
<b>Battery</b>		
 Battery Kit	RTC Battery Kit	Lithium battery with built-in connector for easy replacement

