

ECN-380-QM87

- Intel® Core™ i5/Celeron® CPU
- Triple video outputs

New

Features

- ◆ Intel® Core™ i5/Celeron® CPU
Intel® Core™ i5-4400E 2.7 GHz/Celeron® 2000E 2.2 GHz
- ◆ Triple video outputs
2 x HDMI + VGA
- ◆ Two 2.5" SATA 6Gb/s HDD/SSD drive bays



Specifications

Model Name		ECN-380-QM87
Chassis	Color	Silver
	Dimensions (WxDxH) (mm)	265 x 134 x 56.7
	System Fan	Fanless
	Chassis Construction	Aluminum alloys with heavy duty metal
Motherboard	Motherboard Model	NANO-QM87i
	CPU	Intel® Core™ i5-4400E 2.7 GHz Intel® Celeron® 2000E 2.2 GHz
	Chipset	Intel® QM87
	System Memory	One 204-pin DDR3 4GB SO-DIMMs pre-installed (system max: 8GB)
IPMI	iRIS Solution	iRIS-1010
Storage	Hard Drive	2 x 2.5" SATA 6Gb/s HDD/SSD drive bay
	USB 3.0	2
I/O Interfaces	USB 2.0	4
	Ethernet	2 x RJ-45 Intel® I210 PCIe GbE controller Intel® Clarkvill-V PHY with Intel® AMT 9.0 support
	RS-232	2 x DB-9
	Display	2 x HDMI, 1 x VGA
	Resolution	VGA: Up to 1920 x 1200@60Hz HDMI: Up to 2500 x 1600@60Hz
	Audio	1 x Line-out, 1 x Mic-in
	Wireless	802.11b/g/n 2T2R (optional)
	Expansions	PCIe Mini
Power	Power Input	DC Jack: 12 V DC 3-pin terminal: 9 V~36 V DC
	Power Consumption	12 V@4.6 A (Intel® mobile Core™ Core i5-4400E with 4GB 1333MHz DDR3 memory)
Reliability	Mounting	Wall mount
	Operating Temperature	-20°C ~60°C with air flow (SSD), 5% ~ 95%, non-condensing
	Operating Shock	Half-sine wave shock 5G, 11ms, 3 shocks per axis
	Operating Vibration	MIL-STD-810F 514.5C-2 (with SSD)
	Weight (Net/Gross)	2.4 kg/4.2 kg

Removable 2.5" SATA HDD/SSD bay



The ECN-380 series is equipped with two 2.5" SATA HDD bays. One of the HDD bays is removable for easy installation.



Triple display outputs

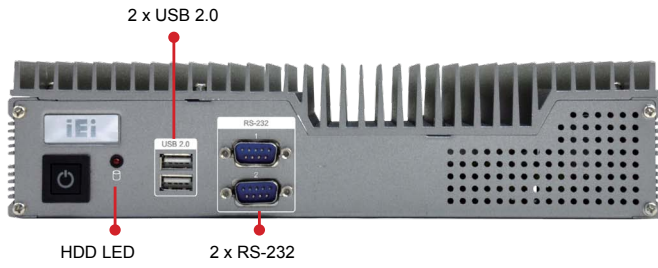


The ECN-380-QM87 contains two HDMI and one VGA. All of the display outputs support high resolution video, which can be applied widely in multi-monitor applications.

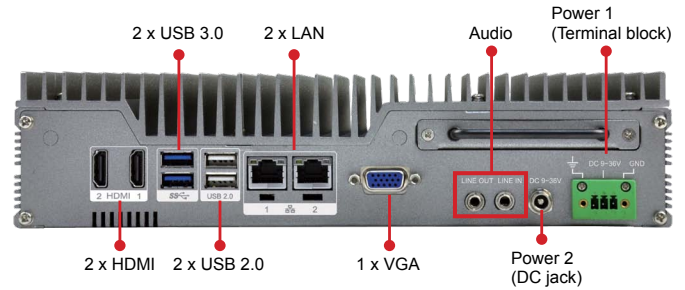


Fully Integrated I/O

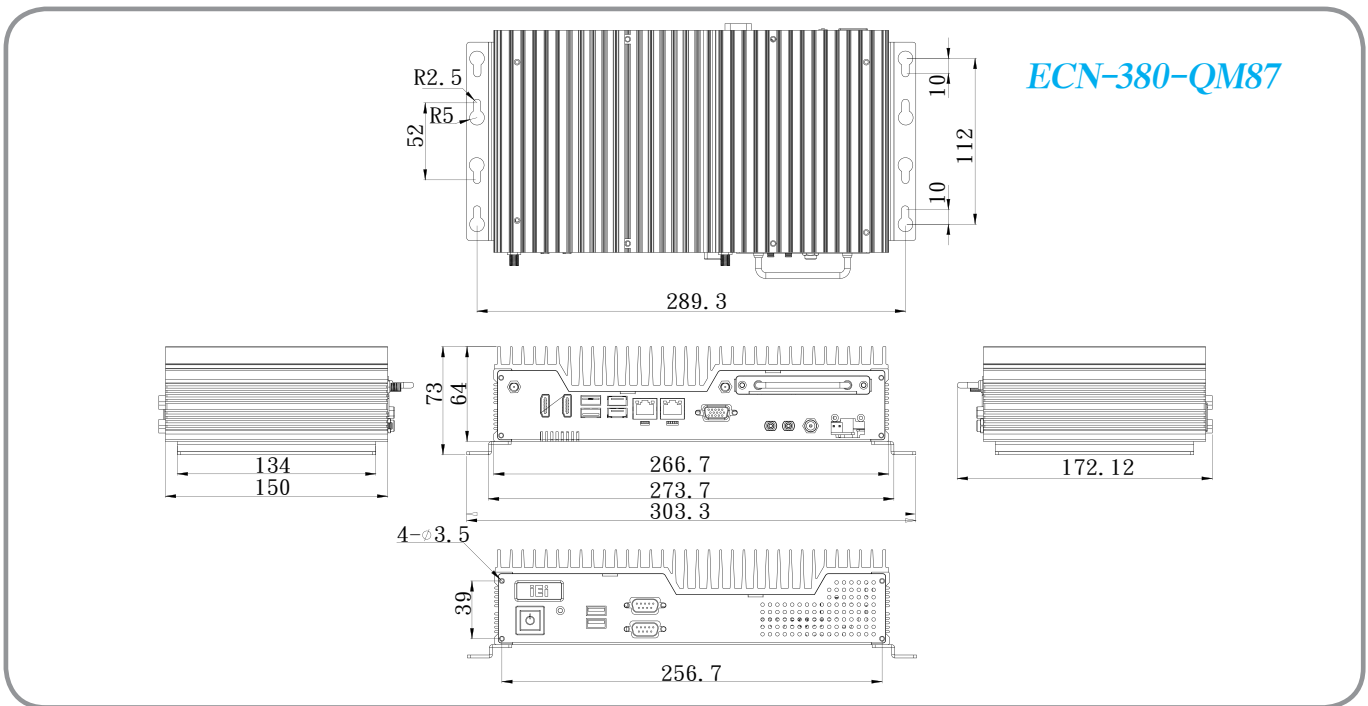
●ECN-380-QM87 Front I/O



●ECN-380-QM87 Rear I/O



Dimensions (Unit: mm)



Ordering information

Part No.	Description
ECN-380-QM87I-I5/4G-R10	Fanless embedded system with Intel® Core™ i5-4400E 2.7 GHz, TDP 37W, 2 x HDMI, 1 x VGA, 2 x 2.5" SATA HDD bay, 4GB memory pre-installed, iRIS-1010, 12 V DC, R10, RoHS
ECN-380-QM87I-C/4G-R10	Fanless embedded system with Intel® Celeron® 2000E 2.2 GHz, TDP 37W, 2 x HDMI, 1 x VGA, 2 x 2.5" SATA HDD bay, 4GB memory pre-installed, iRIS-1010, 12 V DC, R10, RoHS
ECN-380-QM87I-I5/WD/4G-R10	Fanless embedded system with Intel® Core™ i5-4400E 2.7 GHz, TDP 37W, 2 x HDMI, 1 x VGA, 2 x 2.5" SATA HDD bay, 4GB memory pre-installed, iRIS-1010, 9 V~36V DC, R10, RoHS
ECN-380-QM87I-C/WD/4G-R10	Fanless embedded system with Intel® Celeron® 2000E 2.2 GHz, TDP 37W, 2 x HDMI, 1 x VGA, 2 x 2.5" SATA HDD bay, 4GB memory pre-installed, iRIS-1010, 9 V~36 V DC, R10, RoHS

Options

Item	Part No.	Description
Wireless kit	EMB-WIFI-KIT01-R11	1T1R Wi-Fi module kit for embedded system, 1 x Wi-Fi module, 2 x RF cable, 2 x antenna, RoHS

Packing list

1 x Utility CD	1 x Power Adapter (with PSE/ErP Certified)	1 x Chassis Screw
1 x One Key Recovery CD	1 x Power Cord	1 x Mounting Bracket