

# aTCA-6200A

Dual Intel® Xeon® E5-2648L Processor  
10 Gigabit Ethernet AdvancedTCA® Processor Blade



## Features

- Two Intel® Xeon® E5-2648L (8C/16T) processors
- Eight memory sockets support DDR3-1600 REG/ECC up to 128 GB
- Intel® C604 PCH
- Single AMC.0 Mid-size bay
- Dual 10GBASE-KX4 Fabric Interface channels
- Intel® Hyper-Threading Technology
- Intel® QuickPath Interconnect

Intel® Ethernet **AdvancedTCA®**

## Specifications

### CPU / Chipset / Memory

CPU & FSB	Two Intel® Xeon® E5-2648L (8C/16T) (Socket R)
Chipset	Intel® C604 Chipset
Memory	Eight DDR3-1600 240-pin VLP RDIMM sockets, up to 128 GB

### BIOS

Chip	AMI BIOS on SPI flash memory
Features	Intel® PXE pre-boot Remote Console

### I/O Interfaces

Graphics	Silicon Image SM750, PCI-E x1, up to 1920 x 1440 resolution
AMC	AMC: AMC.0 Midsize, AMC.1 Type4, AMC.2 E2 link to internal GbE controller, AMC.3 S2
Ethernet	Dual 10/100/1000BASE-T Base Interface channels Dual 10GBASE-KX4 Fabric Interface channels Dual 10/1001000BASE-T egress ports
Storage	AMC.3 SATA/SAS ports On-board bootable CFast socket Onboard 2.5 inch HDD mounting space (optional: shares space with AMC bay)
USB	Three USB 2.0 ports on front panel
Front Panel I/O	AMC bay, VGA, USB1/2/3, LAN1/2, COM1

### PICMG Standards

AdvancedTCA	PICMG 3.0 R3.0 PICMG 3.1 Ethernet Over PICMG 3.0, Option 9
AdvancedMC	PICMG AMC.0: Advanced Mezzanine Card Specification R2.0 PICMG AMC.1: PCI Express and Advanced Switching R1.0 PICMG AMC.2: Gigabit Ethernet R1.0 PICMG AMC.3: Storage Interfaces R1.0

### Other Features

Operating System	Windows Server 2008 R2, Red Hat Enterprise Linux 6
------------------	--

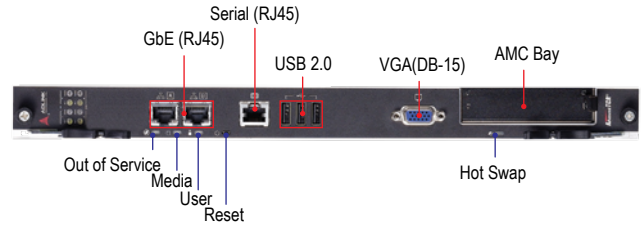
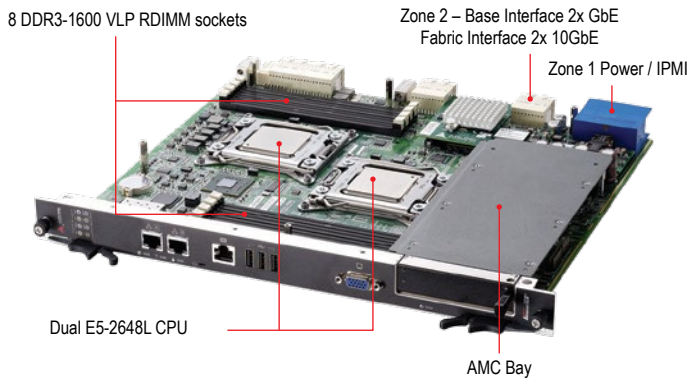
### Mechanical and Environmental

Form Factor	PICMG 3.0 R3.0 AdvancedTCA
Dimension	322.25mm x 280mm x 6HP (L x W x H)
Weight	3.7 kg.
Operating Temp.	0°C to +55°C
Storage Temp.	-40°C to +70°C
Humidity	5% to 95%, non-condensing
Shock	20G peak-to-peak, 11ms duration, non-operation
Vibration	Non-operating: 1.88Grms, 5-500Hz each axis Operation: 0.5Grms, 5-500Hz each axis
Power Consumption	Max 270W
Certification	FCC, CE, UL, NEBS Level 3 (design)

## Ordering Information

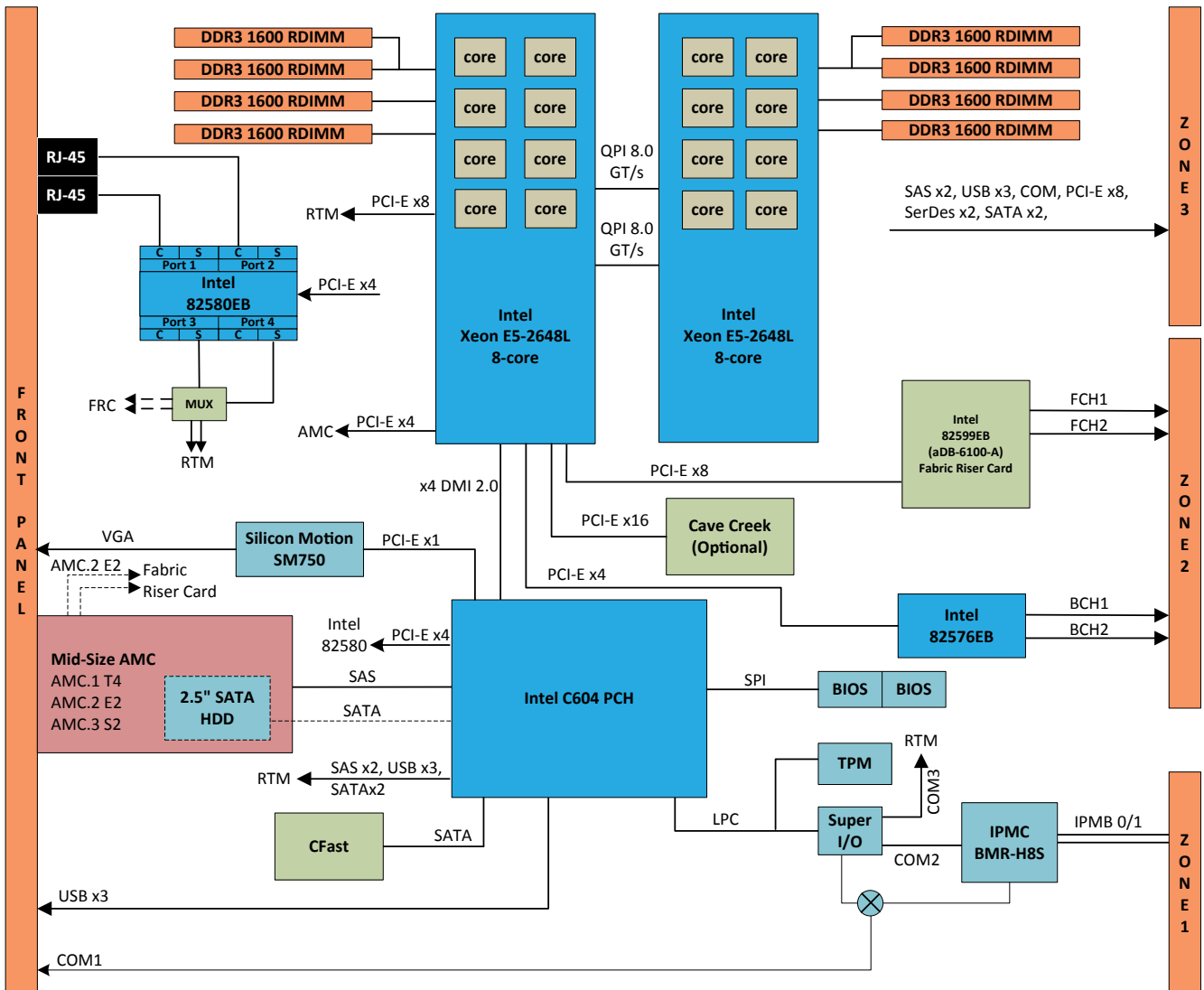
Model Number	Description/Configuration
<b>aTCA-6200A/D2648L/M64G</b>	Dual 8-core Intel® Xeon® E5-2648L 1.8GHz 10GbE processor blade, DDR3 RDIMM 64GB, AMC bay (8GB x8)
<b>aTCA-6200A/D2648L/M16G</b>	Dual 8-core Intel® Xeon® E5-2648L 1.8GHz 10GbE processor blade, DDR3 RDIMM 16GB, AMC bay (8GB x2)
<b>aTCA-6200A/S2648L/M8G</b>	Single 8-core Intel® Xeon® E5-2648L 1.8GHz 10GbE processor blade, DDR3 RDIMM 8GB, AMC bay
<b>aTCA-R6270</b>	aTCA-R6270 RTM with 1x RJ45 Serial Port, 2x USB 2.0 Port, 2x SFP+ 10GbE Port and 2x SAS/SATA HDD Bay (Hot Swappable)
<b>AMC-7000/SATA 320G</b>	Mid-size SATA 1.5 Gb/s 320GB AMC HDD module

# Mechanical Layout



Front Panel I/O Interfaces  
 Front Panel LED Indicators and Reset

# Functional Diagram



Note: All specifications are subject to change without further notice.