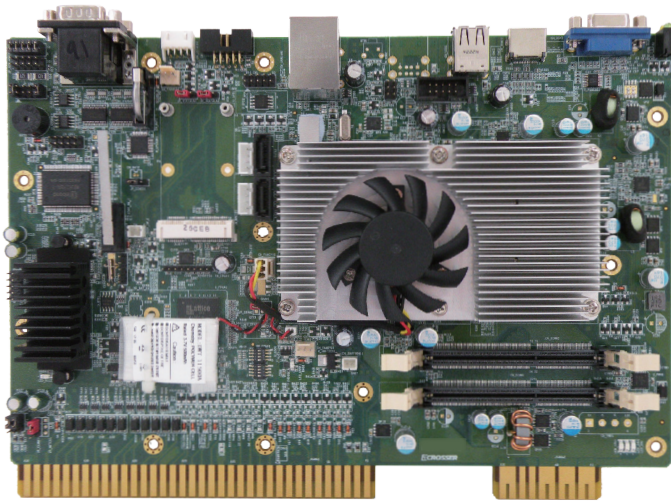


AMB-A55EG1

AMD Embedded G-Series T56N all-in-one gaming board with 2 x COM, 6 x USB, 1 x LAN, 2 x ccTalk, golden fingers for 17 protected input & 16 output, battery backup SRAM, 2 x Intrusion Detection.



Features



AMB-A55EG1 provides great computing and graphic performance which is suitable for casino gaming and amusement applications. It is designed to comply with the most of gaming regulations such as GLI & BMM.

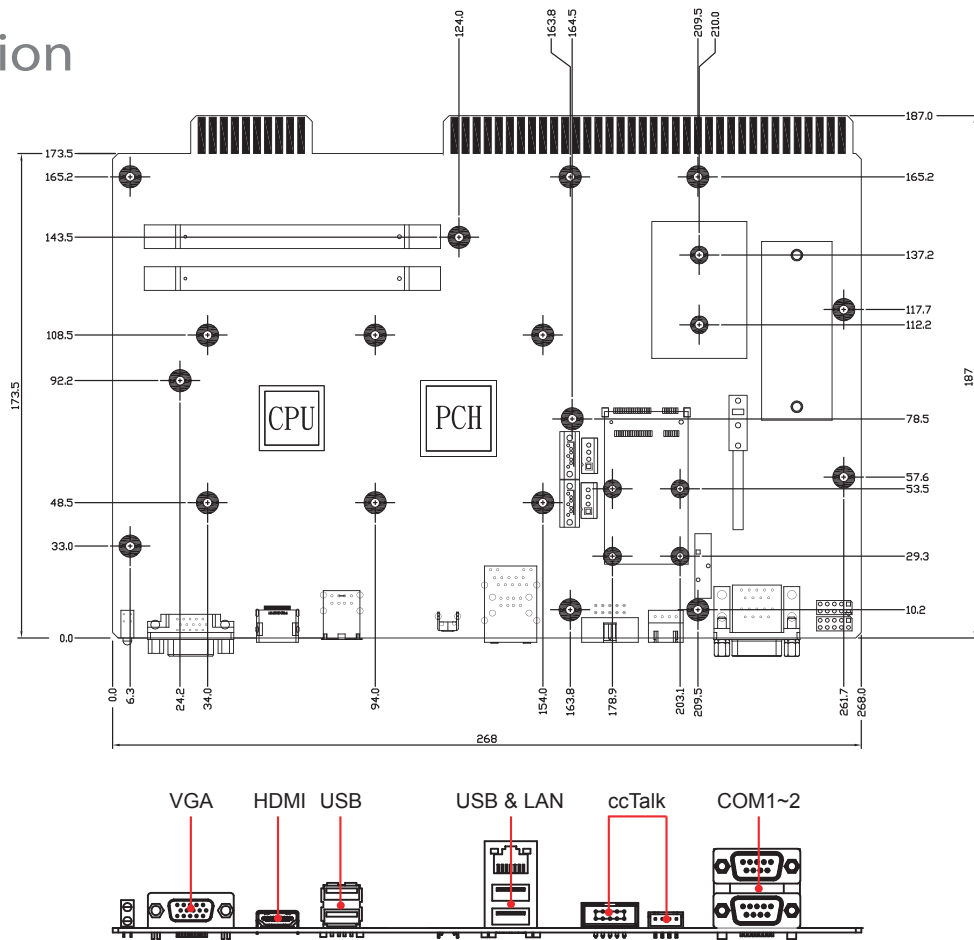


Specification

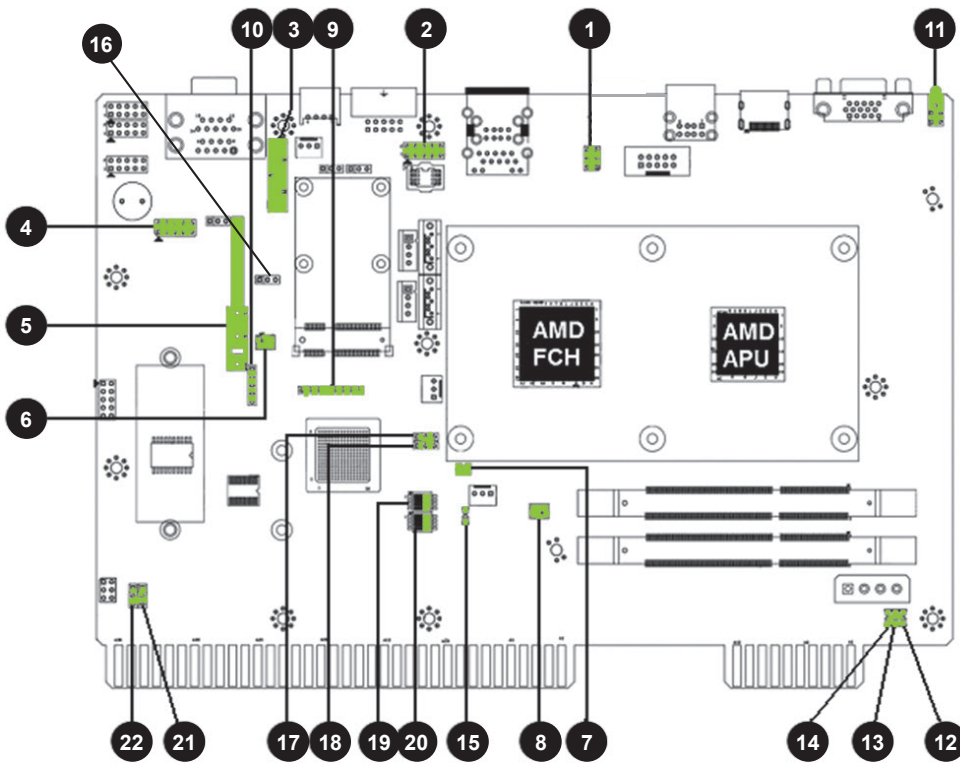
Specification	
CPU	AMD G-Series Dual Core T56N 1.65GHz processor
Chipset	AMD Fusion Control Hub A55E
Memory	2 x 204-pin SO-DIMM sockets support 1066/1333MHz DDR3, up to 8GB
Video	
Graphic Controller	Integrated Radeon HD 6320 supports OpenGL 4.0, DirectX 11
Video Memory	shared memory
Video Interface	<ul style="list-style-type: none"> 1 x VGA DB15 connector 1 x HDMI connector
Storage	
SATA	2 x SATA II port with SATA II power connector
mSATA	1 x mSATA connector
Communication	
Ethernet	1 x GbE LAN Port
USB	4 x USB 2.0 connector & 2 x USB 2.0 pin header
Serial Port	<ul style="list-style-type: none"> 1 x RS232 with DB9 connectors 1 x RS232/422/485 DB9 connector 1 x 4-pin cc-Talk 1 x 10-pin cc-Talk
Gaming I/O	
Digital Input	Follow golden fingers definition <ul style="list-style-type: none"> 14 x Button 2 x Coin 1 x Hopper
Digital Output	Follow golden fingers definition <ul style="list-style-type: none"> 10 x Lamp 5 x Meter 1 x Hopper
Intrusion Detection	<ul style="list-style-type: none"> 1 x onboard door switch 1 x pin header
SRAM	battery backup 256KB SRAM (max 1MB)
Audio	
Output Amplifier	5.1 channel audio without amplifier (pin header) 6W audio amplifier (golden finger)

Other feature	
Hardware Monitoring	CPU voltage and temperature
WatchDog Timer	Software programmable 1~255 sec.
Power Requirement	
Power Input	<ul style="list-style-type: none"> 5V (4.35A~5.8A) 12V (3.3A~4.4A)
Power Consumption	43W
Software	
OS Support	Windows XP, Fedora 14, Ubuntu 10
S/W Development Kit	<ul style="list-style-type: none"> Device Driver Application Program Interface (API) Demo Program
Mechanical & Environment	
Thermal Design	FAN
Dimension	187 mm x 268 mm
Weight	1 KG
Operating Temp.	0 ~ 60°C (32 ~ 140°F)
Storage Temp.	-40 ~ 80°C (-4 ~ 176°F)
Relative Humidity	0 ~ 90% @ 40°C, non-condensing
Safety	CE, FCC class A
Packing List	
	<ul style="list-style-type: none"> 1 x AMB-A55EG1 1 x System Driver CD 1 x Quick User Guide
Ordering Information	
AMB-A55EG1	AMD Embedded G-Series T56N all-in-one gaming board with 2 x COM, 6 x USB, 1 x LAN, 2 x cctalk, golden fingers for 17 protected input & 16 output, battery backup SRAM, 2 x Intrusion Detection (Door Switch), iButton and Security.

Dimension



Jumper Setting



1.	Reset Button connector
2.	SPI Interface connector
3.	CR2032 Battery socket
4.	LPC Interface connector
5.	Case open Log switch
6.	External Log input connector
7.	3.7V 500mAh Re-chargeable battery connector
8.	iButton signal connector
9.	FPGA firmware recoded Header
10.	PIC firmware recoded Header
11.	System status indicated
12.	5V Power IN LED
13.	24V Power IN LED
14.	12V Power IN LED
15.	Battery charging LED ON: Battery charging
16.	Clear CMOS
17.	SRAM1 data clear
18.	SRAM1 data clear
19.	METER OUT setting 1
20.	METER OUT setting 2 & HOPPER SSR setting
21.	(Reserved)
22.	Edge connector GPO pins Clamping voltage setting