

Display Panel-12T Series

Features

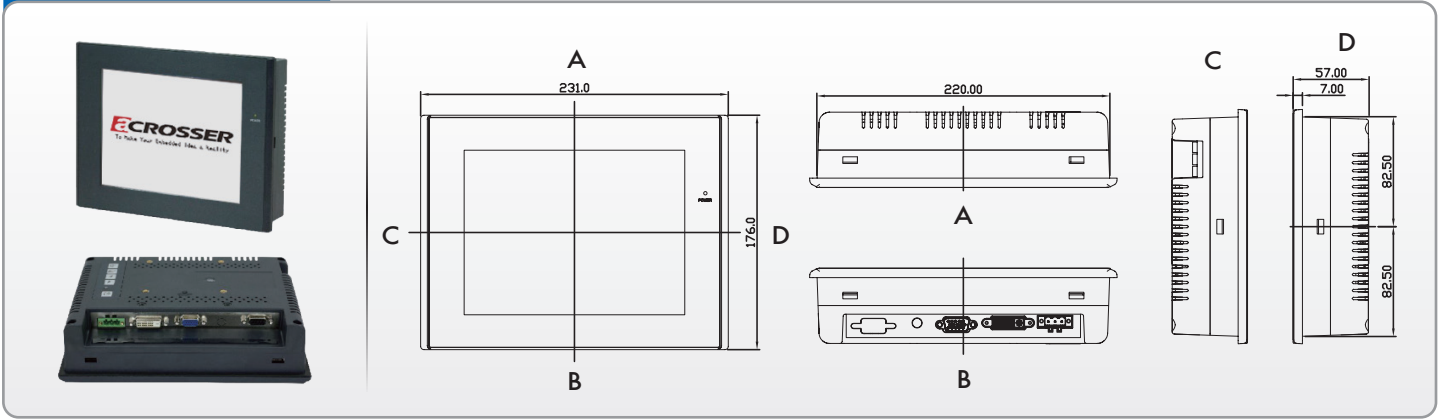
- ▶ Industrial Display
- ▶ 8", 10, & 12" with overlay (sealed) USB resistive touch
- ▶ 15" with USB resistive touch
- ▶ 8", 10, & 12" Monitor is with DC 12V power input & adapter
- ▶ 15" Monitoris with AC 100~240V input
- ▶ Default VGA input, optional for VGA/DVI input
- ▶ OSD at rear side
- ▶ Front Panel IP65

Specification

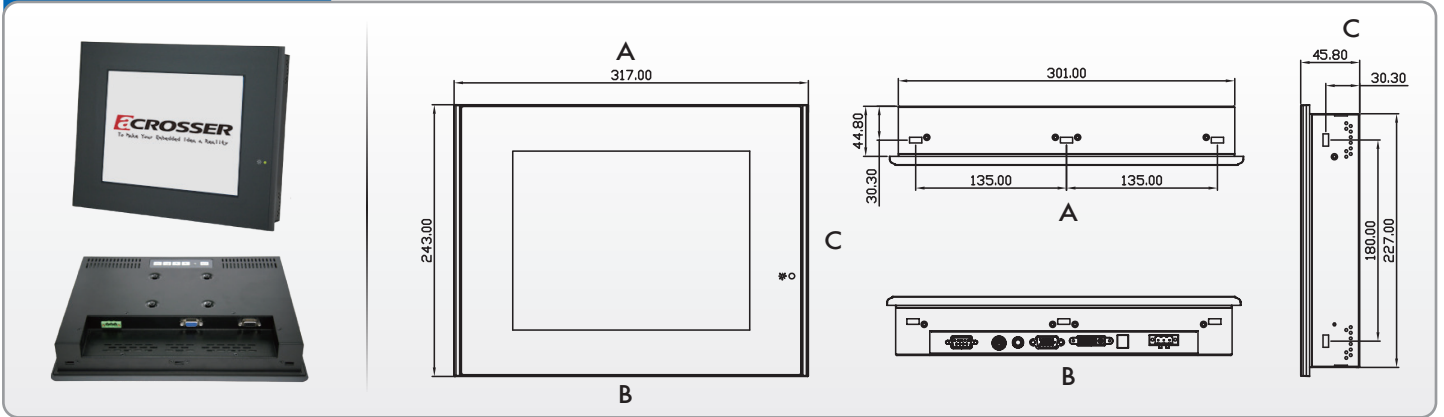
Model Name	AR-DP080-12T	AR-DP100-12T	AR-DP120-12T	AR-DP150-AT
LCD				
Panel Size	8" TFT-LCD	10.4" TFT-LCD	12.1" TFT-LCD	15" TFT-LCD
Max. Resolution	800 x 600			1024 x 768
Luminance (cd/m ²)	350	250	400	350
Backlight Lifetime	40,000hrs	30,000hrs	50,000hrs	50,000hrs
Viewing Angle	H:130° / V:110°			H:160° / V:140°
Touch Screen				
Type	Overlay Resistive Touch			Resistive Touch
Light Transmittion	80%			
I/O				
Video Interface	1 x VGA input			
Video Optional	1 x DVI	1 x DVI, 1 x S-Video		
USB	1 x USB 2.0 for Touch			
OSD	At Rear Side			
Power Requirement				
Power Input	12 V DC input with adapter			AC 100-240V
Mechanical & Environment				
Chassis Material	Plastic Casing	Heavy-duty metal chassis with plastic front		Metal Enclosure
Dimension (W x H x D)	231 mm x 176 mm x 57mm	317 mm x 243 mm x 45 mm	390 mm x 264 mm x 63mm	410 mm x 310 mm x 60mm
Net Weight	1.5 kgs	3.5 kgs	4.14 kgs	8.25kgs
IP Rating	Front panel IP65			
Mounting	Panel Mount / VESA 75 x 75			
Operating Temp.	0~50°C			
Storage Temp.	-20~60°C			
Relative Humidity	10 to 90% @ 40°C, non-condensing			
Safety	CE, FCC class A			

Dimension

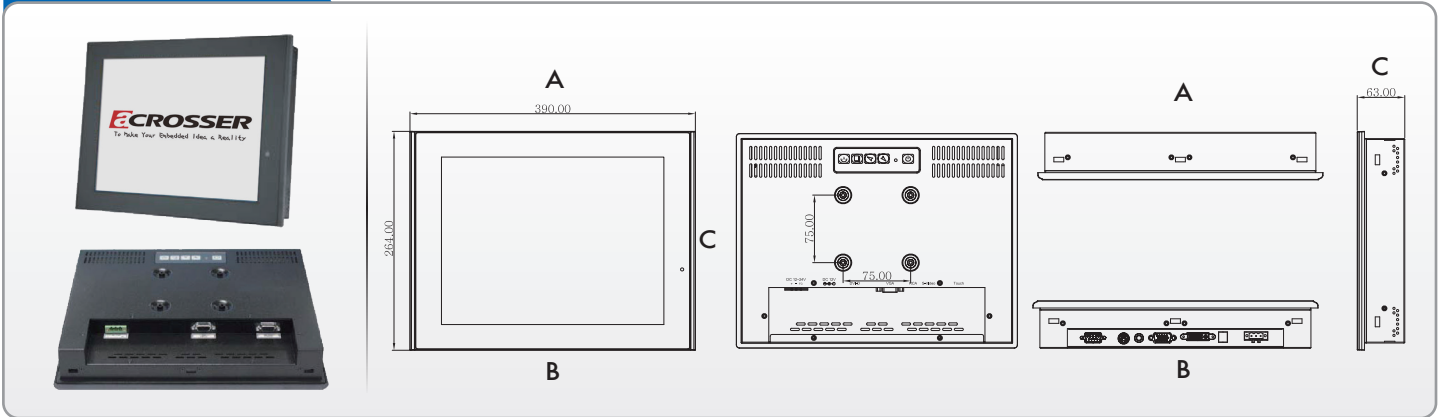
AR-DP080-12T



AR-DP100-12T



AR-DP120-12T



AR-DP150-AT

