

AFL2-17A-H61

Intel® Core™ i7/i5/i3 and Pentium® processor

AFL2-W19A-H61

Intel® Core™ i7/i5/i3 and Pentium® processor



AFL2-17A-H61

Optional CD-ROM available

Features

- Programmable colorful LED light bar
- Intel® Core™ i5/ i3 and Pentium® processor
- Two 204-pin DDR3 SO-DIMM slot (system max. 16GB) preinstalled with 4GB (2GB x 2)
- Projected capacitive touchscreen and 5-wire resistive type touchscreen supported
- Wi-Fi 802.11b/g/n 2T2R high speed wireless
- EM or Mifare RFID reader
- Built-in 2-megapixel webcam with AF, AE and AWB capabilities
- Built-in two 2W speakers and microphone
- IP 64 compliant front panel
- Auto dimming control
- Light fanless design
- Type K thermocouple temperature sensor
- Wide range 9~36 VDC input



Specifications

Model	AFL2-17A-H61	AFL2-W19A-H61		
LCD Specifications	Size	17" (4:3)	W18.9" (16:10)	
	Resolution	1280 (W) x 1024 (H)	1440 (W) X 900 (H)	
	Brightness (cd/m²)	350	250	
	Contrast Ratio	1000:1	1000:1	
	LCD Color	16.7M	16.7M	
	Pixel Pitch (mm)	0.264 (H) x 0.264 (V)	0.2835 (H) x 0.2835 (V)	
	Viewing Angle (H-V)	170° / 160°	170° / 160°	
	Backlight MTBF	50,000 (LED backlight)	30,000 (LED backlight)	
Touch	Touch Screen	5-wire rsistive type with RS-232 interface / projected capacitive type with USB interface		
	Touch Controller	PenMount DMC9000 / EETI EXC7200 & EXC5404		
System	CPU	2nd/3rd Generation Intel® Core™ i7/i5/i3 and Pentium® processors		
	Chipset	Intel® H61		
	RAM	Support two 204-pin DDR3 SO-DIMM slot (max. 16GB) preinstalled with 4GB (2GB x 2)		
	Ethernet	Realtek RTL8111E PCIe GbE controller supporting ASF 2.0		
	Audio Codec	Realtek ALC892 HD Audio codec		
	HDD	2.5" SATA 3Gb/s HDD bay		
	CD-ROM	1 x Slim Type CD-ROM bay		
	Input / Output	2 x RS-232 (DB-9 connector)	1 x Mic (on the left)	1 x VGA port (DB-15 connector)
		1 x RS-422/485 (DB-9 connector)	1 x GbE LAN (one on the bottom, one on the left)	1 x HDMI port
	Other Features	Expansion Interface	1 x PCIe Mini slot reserved	
Audio		AMP 2W + 2W (internal speaker)		
Camera		2 M pixels with low light function		
RFID Reader		EM 125 KHz or Mifare 13.56 MHz card reader (optional)		
MSR Card Reader		MSR card reader (optional)		
TPM		Reserved by pin-header		
OSD Function		LCD on/off, brightness up/down, volume up/down, Hot Key		
Ambient Light Sensor		Yes		
Infrared Remote Controller		Yes		
LED Light Bar		Yes		
Connectivity	System Cooling	Light fanless (smart fan operates above default temperature setting)		
	Wireless	IEEE 802.11b/g/n 2T2R module (WIFI-RT5392-SB-R10) Telec certified		
	Bluetooth	Bluetooth V2.0+EDR with USB interface (optional)		
Physical	Construction Front Panel	PC + ABS Plastic		
	Mounting	Panel, Wall, Rack, Stand, Arm VESA 100mm x 100mm	Panel, Wall, Stand, Arm VESA 100mm x 100mm	
	Color	Black		
	Dimensions (WxHxD)(mm)	418 x 378 x 65	488 x 361 x 65	
	Weight (N/G)	6.9 kg / 9.0 kg	7.3 kg / 10 Kg	
Environment	Operating Temperature (°C) (Ambient with air flow)	-20°C ~ 50°C		
	Storage Temperature (°C)	-20°C ~ 60°C		
	Humidity	10% to 95% (non-condensing)		
	IP Level	IP 64 compliant front panel		
	Safety&EMC	CE / FCC		
Power	Power Supply	120W power adapter , Input:100 V AC ~ 240 V AC, 50 / 60Hz, Output: 19 V DC		
	Power Requirement	9 ~ 36 VDC		
	Power Consumption	19V@5.3A (Intel® Core™ i3-2100T CPU with 4GB 1333 Mhz 4GB DDR3 memory)	19V@5.58A (Intel® Core™ i3-2100T CPU with 4GB 1333 Mhz 4GB DDR3 memory)	



Ordering Information

AFL2-17A-H61/AFL2-17AB-H61

LED Bar	Model	Description
LED Bar	AFL2-17A-H61-i5/R-R12	17" 350cd/m ² SXGA panel PC, Core i5 Dual Core 2xxxT CPU (Above 2.7GHz), TDP 35W, 4GB DDR3 (2GB x 2), 802.11b/g/n wireless module, resistive touch screen, 2M camera, microphone, R12
	AFL2-17A-H61-i5/PC-R12	17" 350cd/m ² SXGA panel PC, Core i5 Dual Core 2xxxT CPU (Above 2.7GHz), TDP 35W, 4GB DDR3 (2GB x 2), 802.11b/g/n wireless module, projected capacitive touchscreen, 2M camera, microphone, R12
	AFL2-17A-H61-i3/R-R12	17" 350cd/m ² SXGA panel PC, Core i3 Dual Core 2xxxT CPU (Above 2.5GHz), TDP 35W, 4GB DDR3 (2GB x 2), 802.11b/g/n wireless module, resistive touch screen, 2M camera, microphone, R12
	AFL2-17A-H61-i3/PC-R12	17" 350cd/m ² SXGA panel PC, Core i3 Dual Core 2xxxT CPU (Above 2.5GHz), TDP 35W, 4GB DDR3 (2GB x 2), 802.11b/g/n wireless module, projected capacitive touchscreen, 2M camera, microphone, R12
	AFL2-17A-H61-P/R-R12	17" 350cd/m ² SXGA panel PC, Pentium Dual Core G6xxT CPU (Above 2.2GHz), TDP 35W, 4GB DDR3 (2GB x 2), 802.11b/g/n wireless module, resistive touch screen, 2M camera, microphone, R12
	AFL2-17A-H61-P/PC-R12	17" 350cd/m ² SXGA panel PC, Pentium Dual Core G6xxT CPU (Above 2.2GHz), TDP 35W, 4GB DDR3 (2GB x 2), 802.11b/g/n wireless module, projected capacitive touchscreen, 2M camera, microphone, R12
Without LED Bar	AFL2-17AB-H61-i5/R-R12	17" 350cd/m ² SXGA panel PC, Core i5 Dual Core 2xxxT CPU (Above 2.7GHz), TDP 35W, 4GB DDR3 (2GB x 2), 802.11b/g/n wireless module, resistive touch screen, 2M camera, microphone, without LED bar, R12
	AFL2-17AB-H61-i5/PC-R12	17" 350cd/m ² SXGA panel PC, Core i5 Dual Core 2xxxT CPU (Above 2.7GHz), TDP 35W, 4GB DDR3 (2GB x 2), 802.11b/g/n wireless module, projected capacitive touchscreen, 2M camera, microphone, without LED bar, R12
	AFL2-17AB-H61-i3/R-R12	17" 350cd/m ² SXGA panel PC, Core i3 Dual Core 2xxxT CPU (Above 2.5GHz), TDP 35W, 4GB DDR3 (2GB x 2), 802.11b/g/n wireless module, resistive touch screen, 2M camera, microphone, without LED bar, R12
	AFL2-17AB-H61-i3/PC-R12	17" 350cd/m ² SXGA panel PC, Core i3 Dual Core 2xxxT CPU (Above 2.5GHz), TDP 35W, 4GB DDR3 (2GB x 2), 802.11b/g/n wireless module, projected capacitive touchscreen, 2M camera, microphone, without LED bar, R12
	AFL2-17AB-H61-P/R-R12	17" 350cd/m ² SXGA panel PC, Pentium Dual Core G6xxT CPU (Above 2.2GHz), TDP 35W, 4GB DDR3 (2GB x 2), 802.11b/g/n wireless module, resistive touch screen, 2M camera, microphone, without LED bar, R12
	AFL2-17AB-H61-P/PC-R12	17" 350cd/m ² SXGA panel PC, Pentium Dual Core G6xxT CPU (Above 2.2GHz), TDP 35W, 4GB DDR3 (2GB x 2), 802.11b/g/n wireless module, projected capacitive touchscreen, 2M camera, microphone, without LED bar, R12

Options

Item	AFL2-17A-H61	AFL2-W19A-H61
Panel Mounting Kit	AFL2PK-17A	AFL2PK-W19A
Wall Mounting Kit	AFLWK-19B	
Rack Mounting Kit	AFL2RK-17A	N/A
Arm	ARM-31-RS	
Stand	STAND-A19-RS/STAND-A21-R10/STAND-C19-R10/STAND-210-R11	
Magnetic Stripe Reader	AFL2P-W19AMSR-U-R10	
Slim DVD Burner	AFL2-DVD-KIT01-R10	
Bluetooth Module Kit	AFL2-BT-KIT01-R11	
Trusted Platform Module (TPM)	TPM-IN01-R11	
EM RFID Reader	AFL2-EM-RFID-KIT01-R10	
Mifare RFID Reader	AFL2-MF-RFID-KIT01-R11	
OS: Win 7 Embedded (DVD-ROM)	AFL2-17A-H61-WES7P-R10 (for Projected Capacitive Touch) AFL2-17A-H61-WES7E-R10 (for Resistive Touch)	AFL2-W19A-H61-WES7P-R10 (for Projected Capacitive Touch) AFL2-W19A-H61-WES7E-R10 (for Resistive Touch)



Ordering Information

AFL2-W19A-H61/AFL2-W19AB-H61

LED Bar	Model	Description
LED Bar	AFL2-W19A-H61-i5/R-R12	18.9" 250cd/m ² WXGA+ panel PC, Core i5 Dual Core 2xxxT CPU (Above 2.7GHz), TDP 35W, 4GB DDR3 (2GB x 2), 802.11b/g/n wireless module, resistive touch screen, 2M camera, microphone, R12
	AFL2-W19A-H61-i5/PC-R12	18.9" 250cd/m ² WXGA+ panel PC, Core i5 Dual Core 2xxxT CPU (Above 2.7GHz), TDP 35W, 4GB DDR3 (2GB x 2), 802.11b/g/n wireless module, projected capacitive touchscreen, 2M camera, microphone, R12
	AFL2-W19A-H61-i3/R-R12	18.9" 250cd/m ² WXGA+ panel PC, Core i3 Dual Core 2xxT CPU (Above 2.5GHz), TDP 35W, 4GB DDR3 (2GB x 2), 802.11b/g/n wireless module, resistive touch screen, 2M camera, microphone, R12
	AFL2-W19A-H61-i3/PC-R12	18.9" 250cd/m ² WXGA+ panel PC, Core i3 Dual Core 2xxxT CPU (Above 2.5GHz), TDP 35W, 4GB DDR3 (2GB x 2), 802.11b/g/n wireless module, projected capacitive touchscreen, 2M camera, microphone, R12
	AFL2-W19A-H61-P/R-R12	18.9" 250cd/m ² WXGA+ panel PC, Pentium Dual Core G6xxT CPU (Above 2.2GHz), TDP 35W, 4GB DDR3 (2GB x 2), 802.11b/g/n wireless module, resistive touch screen, 2M camera, microphone, R12
	AFL2-W19A-H61-P/PC-R12	18.9" 250cd/m ² WXGA+ panel PC, Pentium Dual Core G6xxT CPU (Above 2.2GHz), TDP 35W, 4GB DDR3 (2GB x 2), 802.11b/g/n wireless module, projected capacitive touchscreen, 2M camera, microphone, R12
Without LED Bar	AFL2-W19AB-H61-i5/R-R12	18.9" 250cd/m ² WXGA+ panel PC, Core i5 Dual Core 2xxxT CPU (Above 2.7GHz), TDP 35W, 4GB DDR3 (2GB x 2), 802.11b/g/n wireless module, resistive touch screen, 2M camera, microphone, without LED bar, R12
	AFL2-W19AB-H61-i5/PC-R12	18.9" 250cd/m ² WXGA+ panel PC, Core i5 Dual Core 2xxxT CPU (Above 2.7GHz), TDP 35W, 4GB DDR3 (2GB x 2), 802.11b/g/n wireless module, projected capacitive touchscreen, 2M camera, microphone, without LED bar, R12
	AFL2-W19AB-H61-i3/R-R12	18.9" 250cd/m ² WXGA+ panel PC, Core i3 Dual Core 2xxxT CPU (Above 2.5GHz), TDP 35W, 4GB DDR3 (2GB x 2), 802.11b/g/n wireless module, resistive touch screen, 2M camera, microphone, without LED bar, R12
	AFL2-W19AB-H61-i3/PC-R12	18.9" 250cd/m ² WXGA+ panel PC, Core i3 Dual Core 2xxxT CPU (Above 2.5GHz), TDP 35W, 4GB DDR3 (2GB x 2), 802.11b/g/n wireless module, projected capacitive touchscreen, 2M camera, microphone, without LED bar, R12
	AFL2-W19AB-H61-P/R-R12	18.9" 250cd/m ² WXGA+ panel PC, Pentium Dual Core G6xxT CPU (Above 2.2GHz), TDP 35W, 4GB DDR3 (2GB x 2), 802.11b/g/n wireless module, resistive touch screen, 2M camera, microphone, without LED bar, R12
	AFL2-W19AB-H61-P/PC-R12	18.9" 250cd/m ² WXGA+ panel PC, Pentium Dual Core G6xxT CPU (Above 2.2GHz), TDP 35W, 4GB DDR3 (2GB x 2), 802.11b/g/n wireless module, projected capacitive touchscreen, 2M camera, microphone, without LED bar, R12

Packing List

Item	P/N	Q'ty	Description
Utility CD	7B000-000956-RS	1	drivers and user manual
One Key Recovery CD	7B000-000781-RS	1	
Power Adapter	63000-FSP120AAB-RS	1	FSP120-AAB;90-264VAC input ; 120W ;19VAC output (Meet PSE)
Power Cord	32702-000401-100-RS	1	European, 1500mm
Power Transfer Cord	32000-089400-RS	1	
Infrared Remote Controller	7Z000-SLPCB005-RS	1	
M3 Screw Pack	44013-030041-RS	4	M3 x 4 for securing HDD
M4 Screw Pack	44033-040061-RS	4	M4 x 4 for VESA screw
I/O Bracket	41013-0290C2-00-RS	1	I/O Bracket
Temperature Sensor Cable	32133-004300-100-RS	1	
Pen	43125-0002C0-00-RS	1	For Resistive Touch

CD-RW/DVD-RW Driver Spec.

The drive is able to write CD-R/RW disks, DVD+R/RW disks and DVD-R/RW disks

Drive Type	Internal Slim CD-RW/DVD Combo Drive	
Data Transfer Rate	Write: DVD+R/DVD+RW/DVD-R: 8X DVD-RW: 6X CD-R/CD-RW: 24X	Read: DVD-ROM: 8X CD-ROM: 24X
Interface	SATA	
Buffer Memory	2MB	

Function Keys

- Fn
- Backlight On/Off Fn + RFID enable / disable
- Audio - Fn + Audio mute
- Audio + Fn + Camera enable / disable
- Brightness - Fn + Front side Mini USB&MicroSD enable / disable
- Brightness + Fn + Power on / off

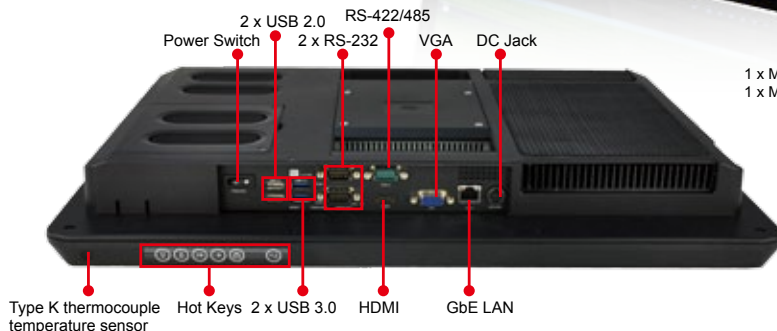


- Mic, Line-out
- 1 x USB 2.0
- 1 x GbE LAN



Micphone

- 1 x Mini USB port
- 1 x MicroSD card slot

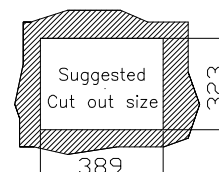
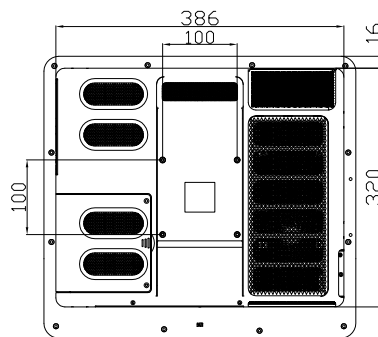
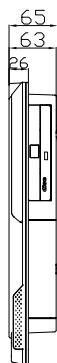
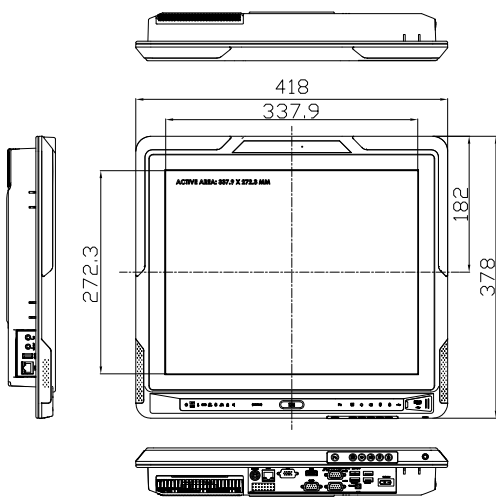


- Type K thermocouple temperature sensor
- Hot Keys
- 2 x USB 3.0
- HDMI
- GbE LAN

- 2 x USB 2.0
- RS-422/485
- 2 x RS-232
- VGA
- DC Jack

AFL2-17A-H61 Dimensions

(Unit: mm)



AFL2-W19A-H61 Dimensions

(Unit: mm)

