

ECN-360A-^{HM65} D2550

Fanless Embedded System
with Intel® Solution

New

Features

- ◆ On-board CPU
 - » ECN-360A-HM65: Intel® Celeron® 847E dual core 1.1 GHz
 - » ECN-360A-D2550: Intel® Atom™ D2550 dual core 1.86 GHz
- ◆ Rich video output solution
 - » ECN-360A-HM65: 2 x HDMI + 1 x VGA
 - » ECN-360A-D2550: 2 x VGA
- ◆ Ruggedized embedded computer
 - » Support -10°C~60°C (w/ SSD, air flow)



Specifications

Model Name		ECN-360A-HM65	ECN-360A-D2550
Chassis	Color	Black	Black
	Dimensions (WxDxH)	255 x 130 x 63 mm	255 x 130 x 63 mm
	System Fan	Fanless	Fanless
	Chassis Construction	SECC	SECC
Motherboard	Motherboard Model	NANO-HM651-847E	NANO-CV-D25502
	Processor CPU	Intel® Celeron® dual core 847E 1.1GHz	Intel® dual core Atom™ D2550 1.86GHz
	Chipset	Intel® HM65	Intel® NM10
	System Memory	2 x 204-pin DDR3 SDRAM SO-DIMM (System Max: 8GB) Pre-installed DDR3 4GB memory	1 x 204-pin DDR3 SDRAM SO-DIMM (System Max: 4GB) Pre-installed DDR3 2GB memory
Storage	Hard Drive	1 x 2.5" SATA HDD Bay	1 x 2.5" SATA HDD Bay
I/O interfaces	USB 3.0	2	0
	USB 2.0	2	6
	Ethernet	2 x Realtek RTL8111E PCIe GbE controller	2 x Realtek RTL8111E PCIe GbE controller
	RS-232	2 x DB-9	3 x DB-9
	RS-422/485	1 x DB-9	1 x DB-9
	Display	1 x VGA, 2 x HDMI	2 x VGA
	Resolution	VGA: Up to 2048 x 1536 @ 75Hz HDMI: Up to 1920 x 1200 @ 60Hz	VGA: Up to 1920 x 1200 @ 60Hz
	Audio	1 x Line-out	1 x Line-out
	Other	8-bit digital I/O (4-bit input, 4-bit output)	N/A
	Wireless	1 x 802.11b/g/n (optional)	1 x 802.11b/g/n (optional)
	Expansions	1 x Full size (reserved for Wi-Fi)	1 x Full size (support mSATA) 1 x Half size
Power	Power Input	9~36V DC Power 1: DC Jack, Power 2: Terminal block	9~ 28V DC Power 1: DC Jack, Power 2: Terminal block
	Power Consumption	12V@3.01A (Intel® Celeron® single core 827E 1.4GHz with 4GB DDR3 memory)	12V@1.59A (Intel® Atom™ D2550 with 2GB DDR3 memory)
Reliability	Mounting	Wall mount, VESA 100	Wall mount, VESA 100
	Operating Temperature	-10°C~60°C with air flow (SSD), 5% ~ 95%, non-condensing	-10°C~60°C with air flow (SSD), 5% ~ 95%, non-condensing
	Operating Shock	Half-sine wave shock 3G, 11ms, 3 shocks per axis	Half-sine wave shock 3G, 11ms, 3 shocks per axis
	Operating Vibration	MIL-STD-810F 514.5C-2 (SSD)	MIL-STD-810F 514.5C-2 (SSD)
	Weight (Net/Gross)	2.2Kg / 3Kg	2.2Kg / 3Kg

Friendly to Use



Easy for installation

- Hinge Design for rear Cover
- Easy assembly of storage/memory/PCIe Mini card

Wide range of DC power input

- ECN-360A-HM65: 9~36V DC
- ECN-360A-D2550: 9~28V DC



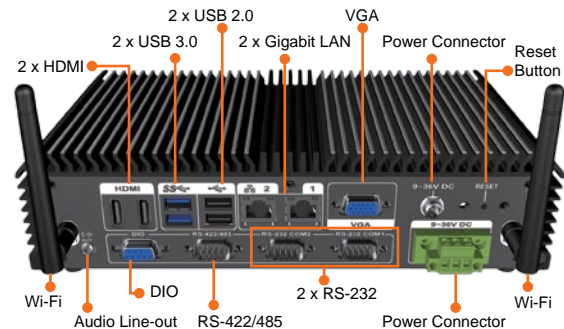
●ECN-360A-HM65 Front I/O



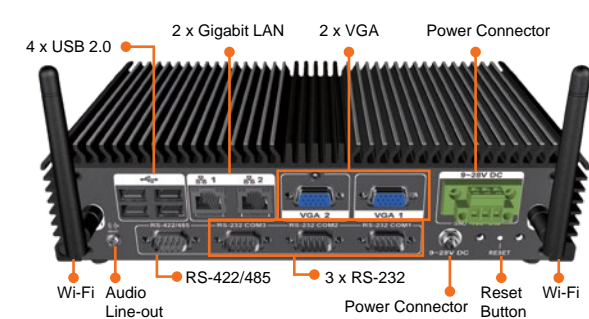
●ECN-360A-D2550 Front I/O



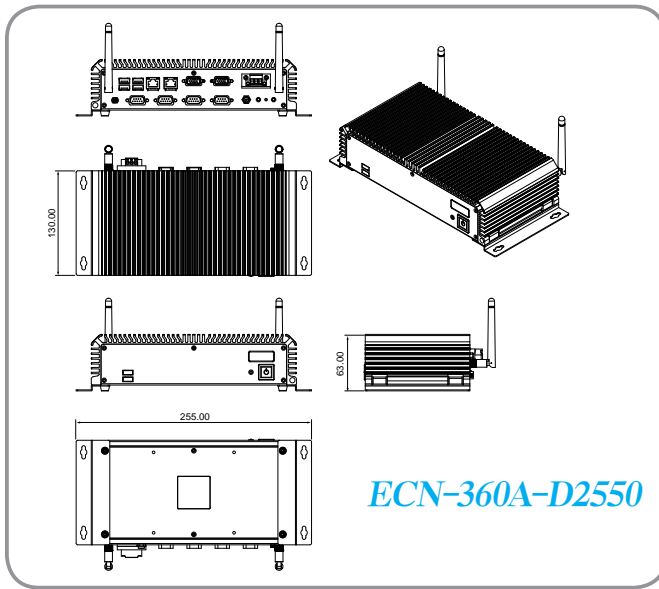
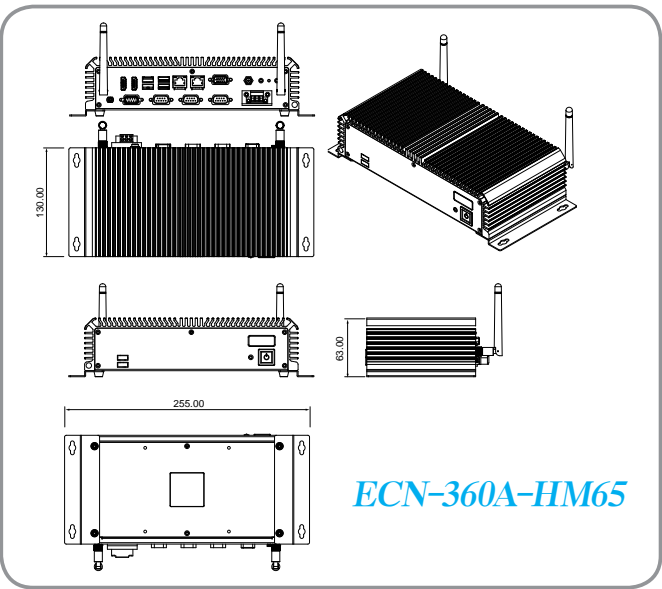
●ECN-360A-HM65 Rear I/O



●ECN-360A-D2550 Rear I/O



Dimensions (Unit: mm)



Ordering Information

Part No.	Description
ECN-360A-HM65/4G-R10	Embedded system with NANO-HM651-847E, Intel® Celeron® 847E dual core 1.1 GHz, with 2 x HDMI, 1 x VGA, 2 x RS-232, 1 x RS-422/485, 4GB DDR3 SO-DIMM pre-installed, dual Realtek LAN, DIO, 9~36V DC, R10, RoHS
ECN-360AW-HM65/4G-R10	Embedded system with NANO-HM651-847E, Intel® Celeron® 847E dual core 1.1 GHz, with 2 x HDMI, 1 x VGA, 2 x RS-232, 1 x RS-422/485, 4GB DDR3 SO-DIMM pre-installed, dual Realtek LAN, DIO, 802.11b/g/n wireless, 9~36V DC, R10, RoHS
ECN-360A-D2550/2G-R10	Embedded system with NANO-CV-D25502, Intel® Atom™ D2550 dual core 1.86 GHz, with 2 x VGA, 3 x RS-232, 1 x RS-422/485, 2GB DDR3 SO-DIMM pre-installed, dual Realtek LAN, 9~28V DC, R10, RoHS
ECN-360AW-D2550/2G-R10	Embedded system with NANO-CV-D25502, Intel® Atom™ D2550 dual core 1.86 GHz, with 2 x VGA, 3 x RS-232, 1 x RS-422/485, 2GB DDR3 SO-DIMM pre-installed, dual Realtek LAN, 802.11b/g/n wireless, 9~28V DC, R10, RoHS

Packing List

1 x QIG	1 x One Key Recovery CD
2 x wall mount bracket	1 x driver CD
1 x power adapter	1 x power cord
1 x screw set	1 x wireless antenna (for wireless model)