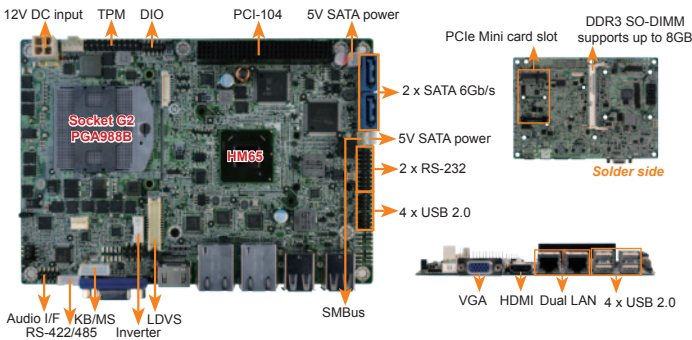


NANO-HM650

EPIC SBC Supports Socket G2 for 2nd Generation Intel® Core™ i7/i5/i3 and Celeron® CPU, VGA/HDMI, Dual PCIe GbE, USB 2.0, PCI-104, SATA 6Gb/s and Audio



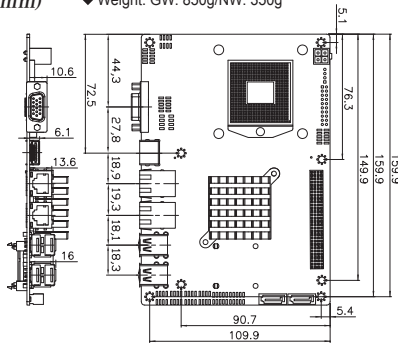
Features

1. EPIC SBC with Socket G2 for Intel® 2nd generation Core™ i7/i5/i3 and Celeron® processor
2. VGA/24-bit dual-channel LVDS/HDMI for dual display support
3. 1066/1333MHz DDR3 SDRAM supported (system max. 8GB)
4. Supports three COM, eight USB 2.0, two SATA 6Gb/s, PCI-104 and audio
5. TPM V1.2 hardware security function supported by TPM module
6. IEI One Key Recovery solution allows you to create rapid OS backup and recovery

Specifications

- ◆ CPU: Socket G2 for 2nd generation Intel® Core™ i7/i5/i3 and Celeron® mobile processor
- ◆ PCH: Intel® HM65
- ◆ BIOS: UEFI BIOS
- ◆ Memory: One 204-pin 1066/1333MHz DDR3 SO-DIMM supported (system max. 8GB)
- ◆ Display Output: Dual display supported
1 x VGA (up to 2048 x 1536 @75Hz)
1 x HDMI (up to 1920 x 1200 @60Hz)
1 x 18/24-bit dual-channel LVDS (up to 1920 x 1200 @60Hz)
- ◆ Ethernet: Dual LAN: Realtek RTL8111E PCIe GbE controller with ASF 2.0 support
- ◆ I/O Interface: 8 x USB 2.0, 1 x 6-pin header for KB/MS, 2 x RS-232, 1 x RS-422/485, 2 x SATA 6Gb/s with 5V SATA power connector
- ◆ Super I/O: Fintek F81866
- ◆ Audio: Realtek ALC662 HD audio codec
- ◆ Expansions: 1 x PCIe Mini card slot, 1 x PCI-104 slot (PCI signal)
- ◆ Watchdog Timer: Software programmable supports 1~255 sec. system reset
- ◆ Programmable GPIO: 8-bit digital I/O (4-bit input / 4-bit output)
- ◆ Fan Connector: 1 x 4-pin CPU fan connector, 1 x 3-pin system fan connector
- ◆ Power Supply: 12V only, AT/ATX support
- ◆ Power Consumption: 12V@4.85A (2.6GHz Intel® Core i5-2540M with 1333MHz 4GB DDR3 memory)
- ◆ Operating Temperature: -10°C ~ 60°C
- ◆ Storage Temperature: -20°C ~ 70°C
- ◆ Operating Humidity: 5% ~ 95%, non-condensing
- ◆ Dimensions: 115 mm x 165 mm
- ◆ Weight: GW: 850g/NW: 350g

Dimensions (Unit: mm)



Packing List

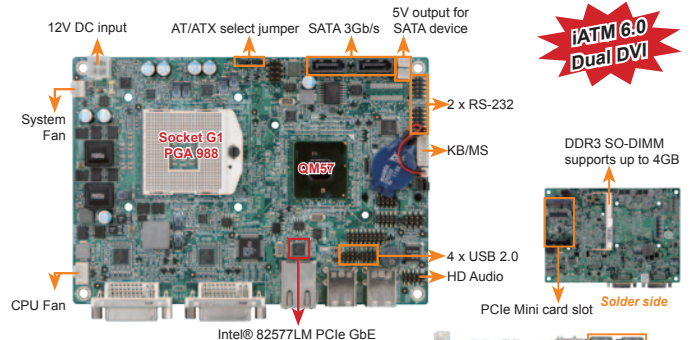
1 x NANO-HM650 single board computer	
2 x SATA with power cable (P/N: 32801-000201-300-RS)	
2 x RS-232 cable (P/N: 32200-000049-RS)	
1 x Audio cable (P/N: 32000-072100-RS)	1 x Mini jumper pack
1 x Power cable (P/N: 32100-087100-RS)	1 x Utility CD
1 x One Key Recovery CD	1 x QIG (Quick Installation Guide)

Ordering Information

Part No.	Description
NANO-HM650-R11	EPIC SBC supports Socket G2 for Intel® 2nd generation Core™ i7/i5/i3 and Celeron® CPU, VGA/HDMI, USB 2.0, dual PCIe GbE, PCI-104, SATA 6Gb/s and Audio
32000-070301-RS	Dual-port USB cable
32205-003800-300-RS	RS-422/485 cable, 200mm
32000-023800-RS	KB/MS cable
CF-989A-RS-R12	CPU cooler for mobile socket-G up to 55W processor, copper, 60mm x 60mm x 27.6mm

NANO-QM57A

EPIC SBC with Intel® Core™ i7/i5/i3 and Celeron® mobile processor, Dual DVI, PCIe GbE, USB 2.0, PCIe Mini, SATA 3Gb/s, Audio and RoHS



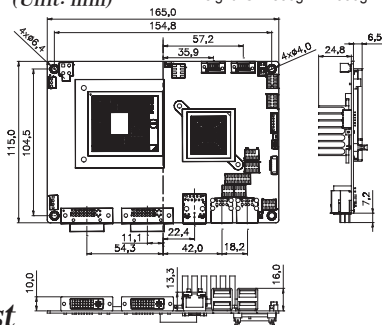
Features

1. EPIC SBC supports Socket G1 Intel® Core i7/i5/i3 and Celeron® mobile processor
2. Dual independent display supported by DVI+DVI or DVI+VGA
3. One 800/1066MHz DDR3 SO-DIMM slot supports up to 4GB
4. Support dual SATA 3Gb/s with RAID 1, 0 function, two serial ports and eight USB 2.0 ports
5. One Intel® 82577LM GbE PHY with Intel® AMT 6.0 support. IEZman tool is bundled for remote control under Windows® environment
6. IEI One Key Recovery solution allows you to create rapid OS backup and recovery

Specifications

- ◆ CPU: Socket G1 for Intel® mobile Core™ i7/i5/i3 and Celeron® processor (Socket 988)
- ◆ PCH: Intel® QM57
- ◆ BIOS: UEFI BIOS
- ◆ Memory: One 204-pin 800/1066MHz DDR3 SDRAM SO-DIMM up to 4GB
- ◆ Graphic: Gen 5.75 with 12 Execution Units DirectX* 10, OpenGL* 2.1, Support MPEG2, WMV9/VC-1, AVC and Hardware acceleration
- ◆ Display Output: Dual display supported
1 x DVI-D
1 x DVI-I
- ◆ Ethernet Chipset: One Intel® 82577LM PCIe GbE PHY with Intel® AMT 6.0 support
- ◆ Super I/O: Fintek F81801U
- ◆ Audio: Realtek ALC888 HD Audio codec
- ◆ I/O Interface: 8 x USB 2.0, 2 x RS-232, 2 x SATA 3Gb/s with RAID 0, 1 support, 1 x 6-pin header for KB/MS
- ◆ Expansion: 1 x PCIe Mini card slot
- ◆ Watchdog Timer: Software programmable supports 1~255 sec. system reset
- ◆ Fan Connector: 1 x 4-pin CPU fan connector, 1 x 3-pin system fan connector
- ◆ Power Supply: 12V only, AT/ATX support by jumper
- ◆ Power Consumption: 12V@4.66A (Intel® Core™ i7 620M 2.66G, DDR3 2GB/1333MHz)
- ◆ Operating Temperature: -10°C ~ 60°C
- ◆ Storage Temperature: -20°C ~ 70°C
- ◆ Operating Humidity: 5% ~ 95%, non-condensing
- ◆ Dimensions: 115mm x 165mm
- ◆ Weight: GW:850g/NW:350g

Dimensions (Unit: mm)



Packing List

1 x NANO-QM57A single board computer	
1 x SATA with 5V output cable (P/N: 32801-000201-300-RS)	
1 x DVI-I to VGA adapter (P/N: 33200-000031-RS)	1 x One Key Recovery CD
1 x Audio cable (P/N: 32000-072100-RS)	1 x Mini jumper pack
1 x Power cable (P/N: 32100-087100-RS)	1 x Utility CD
2 x RS-232 cable (P/N: 32200-000049-RS)	1 x QIG

Ordering Information

Part No.	Description
NANO-QM57A-R10	EPIC SBC supports Socket G for Intel® Core™ i7/i5/i3 and Celeron® mobile CPU, Dual DVI, PCIe GbE, USB 2.0, PCIe Mini, SATA 3Gb/s and Audio, RoHS
32000-070301-RS	Dual port USB cable
32000-023800-RS	KB/MS cable
CF-989A-RS-R12	CPU cooler for mobile socket-G (PGA988) up to 55W processor, Copper, 60mm x 60mm x 27.6mm, RoHS