

PICMG 1.3 Backplane

Selection Guide

PAC series wall-mount chassis 4U rack-mount chassis

Backplane		SPE-4S	SPE-6S	SPE-9S	SPXE-9S	SPXE-14S
Total	Slot	4	6	7	7	14
PCIe	x16					
	x8	2 (x16 connector)		1 (x16 connector)	1 (x16 connector)	1 (x16 connector)
	x4	1	5	3	2	
	x1					12
	PCI-X PCI			3	2	
PSU Type		24+4-pin ATX	24+4-pin ATX	24+4-pin ATX	24+4-pin ATX	24+8-pin ATX
Chassis Option		PAC-106G PAC-107G PAC-1000G	PAC-106G PAC-107G PAC-1000G	PAC-125G	PAC-125G	RACK-305G RACK-360G RACK-3000G



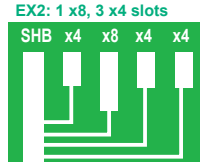
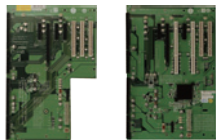
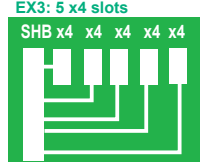

IEI Server Grade Backplane Solution

Server grade backplane accommodates PCIe x8 and multiple PCIe x4 add-on cards. It is specially designed for intensive data transfer applications such as server data storage and any application that requires more than one PCIe x4 or four PCIe x1 cards. Given the multiple PCIe x4 and x1 support, it provides a more cost effective solution for end-users by reducing the number of systems required.

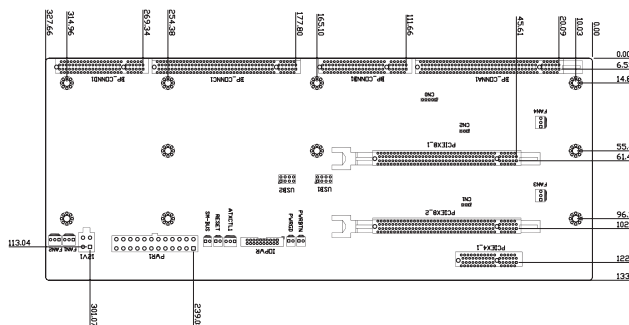
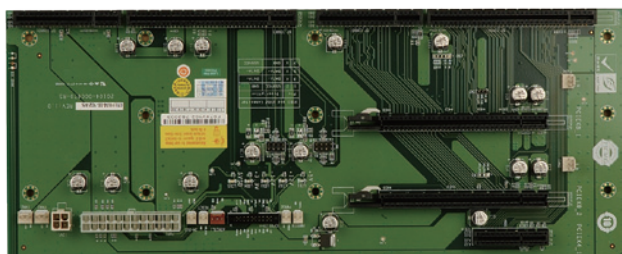
System Solution for options

Backplane	Total	PCIe						PSU Type	Chassis Option
	Slot	x16	x8	x4	x1	PCI-X	PCI		
SPE-4S	4	-	2 (x16 connector)	1	-	-	24+4-pin ATX	PAC-106G, PAC-1000G	
SPE-6S	6	-		5	-	-	24+4-pin ATX	PAC-106G, PAC-1000G	
SPE-9S	7	-	1 (x16 connector)	3		3	24+4-pin ATX	PAC-125G	
SPXE-9S	7	-	1 (x16 connector)	2		2	24+4-pin ATX	PAC-125G	
SPXE-14S	14	-	1 (x16 connector)	-	12	-	24+4-pin ATX	RACK-305G, RACK-360G, RACK-3000G	

Server Grade Backplane

Example	Corresponding Model
<p>EX1: 2 x8 & 1 x4 slots</p> 	<p>SPE-4S</p> 
<p>EX2: 1 x8, 3 x4 slots</p> 	<p>SPE-9S SPXE-9S</p> 
<p>EX3: 5 x4 slots</p> 	<p>SPE-6S</p> 

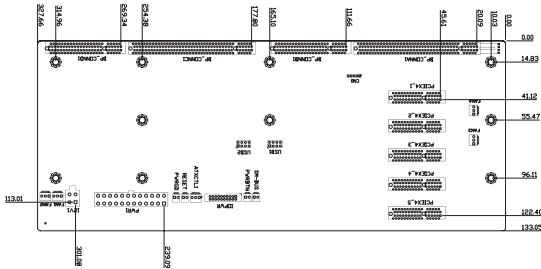
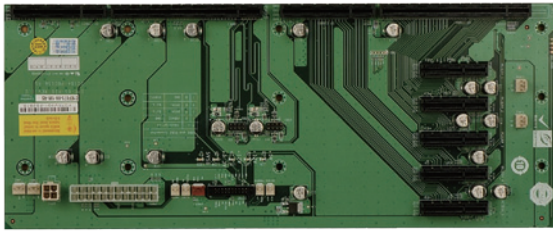
SPE-4S-R10



Ordering Information

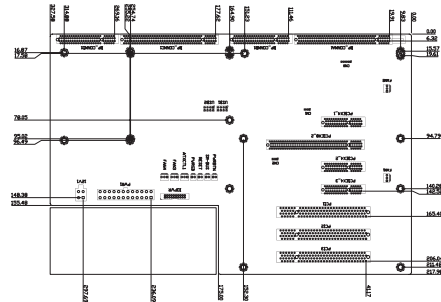
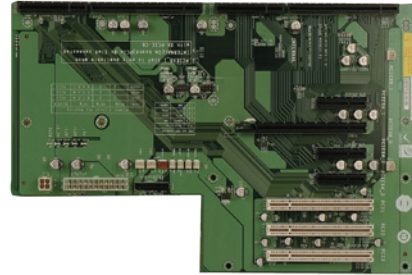
SPE-4S-R10	4-slot PICMG 1.3 backplane with 2 PCIe x16 (x8 signal) and 1 PCIe x4 slots
PAC-106G	6-slot full-size compact chassis
PAC-107G	6-slot full-size compact chassis
PAC-1000G	6-slot full-size compact chassis

SPE-6S-R10



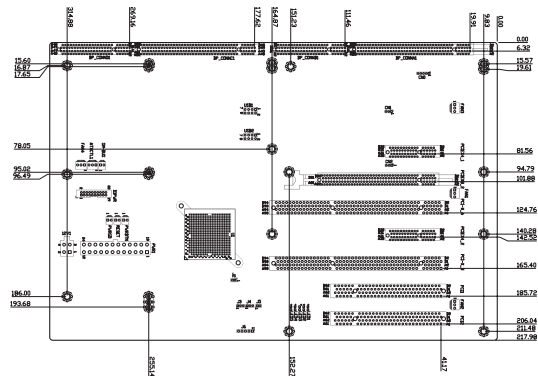
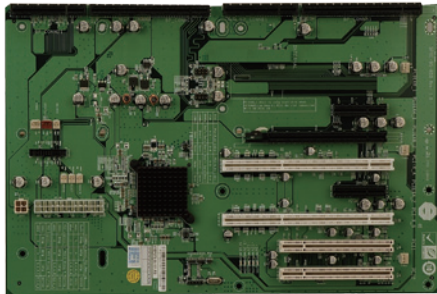
Ordering Information	
SPE-6S-R10	6-slot PICMG 1.3 backplane with 5 PCIe x4 slots
PAC-106G	6-slot full-size compact chassis
PAC-107G	6-slot full-size compact chassis
PAC-1000G	6-slot full-size compact chassis

SPE-9S-R11



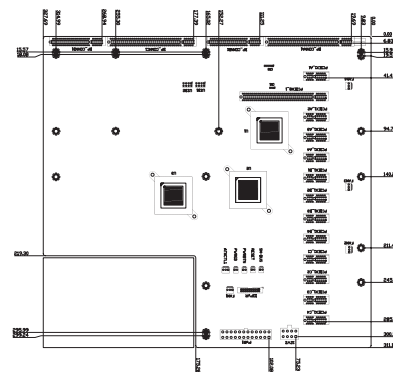
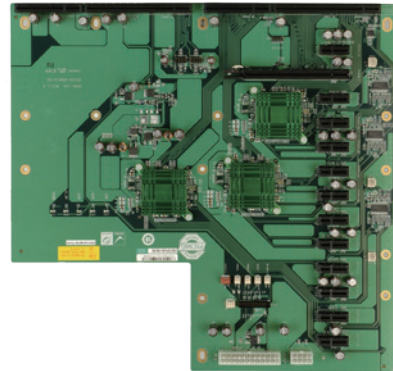
Ordering Information	
SPE-9S-R11	7-slot PICMG 1.3 backplane with 1 PCIe x16 (x8 signal), 3 PCIe x4, and 3 PCI
PAC-125G	10-slot full-size compact chassis

SPXE-9S-R11



Ordering Information	
SPXE-9S-R11	7-slot PICMG 1.3 backplane with 1 PCIe x16 (x8 signal), 2 PCIe x4, 2 PCI-X and 2 PCI
PAC-125G	10-slot full-size compact chassis

SPXE-14S-R10



Ordering Information	
SPXE-14S-R10	14-slot PICMG 1.3 backplane with 1 PCIe x16 (x8 signal) and 12 PCIe x1
RACK-305G	4U 14-slot full-size rack-mount chassis
RACK-360G	4U 14-slot full-size rack-mount chassis
RACK-3000G	4U 14-slot full-size rack-mount chassis