

EBC-3220 Compact Embedded Chassis for IEI Single Voltage Mini-ITX SBC



Features

- ◆ Design for Mini-ITX SBC with single voltage input
- ◆ Space critical application
- ◆ One 2.5" hard drive capacity
- ◆ Cost-effective, RoHS compliant design

Specifications

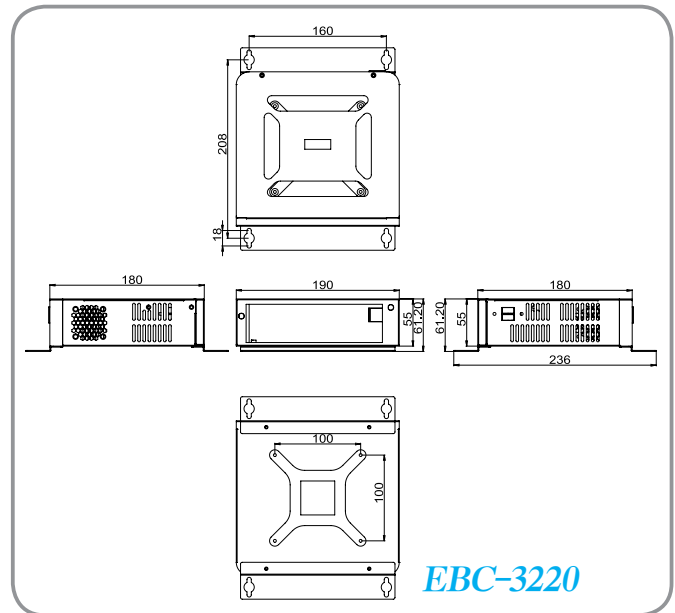
| | |
|--------------------------------|---------------------------------|
| Model Name | EBC-3220 |
| SBC Form Factor | Mini-ITX (Single Voltage input) |
| Cooling Fan | 1 x 4 cm |
| Storage | 1 x 2.5" HDD Bracket |
| Buttons | Power switch |
| Color | Black |
| Dimensions (WxDxH) (mm) | 190 x 180 x 55 |
| Weight | 1KG/2KG |
| Operating temperature | -10°C ~ 50°C with air flow* |
| Mounting | Desktop, wall mount, VESA mount |

*Ambient air speed pre IEC-68-2-2 standard

Compatible Mini-ITX SBC

| Part No. | Recomand CPU cooler |
|-----------------------|----------------------------|
| KINO-DQM871 | CF-989A-RS-R12 |
| KINO-QM770 | CF-989A-RS-R12 |
| KINO-CV/D25501/N26001 | Fanless |
| KINO-QM670 | CF-989A-RS-R12 |
| KINO-QM57A | CF-989A-RS-R12 |
| KINO-HM551 | CF-989A-RS-R11 |
| KINO-PVN-D5251 | 19FFD124010HB2A7-000001-RS |
| KINO-PV-D4252/D5252 | 19FFD124010HB2A7-000001-RS |

Dimensions (Unit: mm)



Packing list

| |
|----------------------------|
| 1 x QIG |
| 1 x Wall mount bracket kit |
| 1 x Screw set |

Ordering information

| Part No. | Description |
|--------------------------------|--|
| EBC-3220-R10 | Mini-ITX embedded chassis, for DC input model only, with one 2.5" HDD, w/o power adapter, Black, RoHS |
| EBC-3220W-R10 | Mini-ITX embedded chassis, for DC input model only, with one 2.5" HDD drive bay, TELEC Certified 802.11b/g/n 2T2R wireless LAN, w/o power adapter, Black, R10, RoHS |
| 63040-010060-050-RS | Adapter Power, FSP060-DBAE1, 90 V~264 V AC, 60W, 1500mm, 12 V DC, Din 4Pin/lock, CCL, ErP, PSE,RoHS |
| 63000-FSP084DMBA1308-RS | Adapter Power, FSP084-DMBA1, 90 V~264 V AC, 84W, 1800mm, 12 V DC, Din 4Pin/lock, CCL, ErP, RoHS |
| 32001-010800-100-RS | Dual port USB cable, 200mm, w/o bracket |
| 19FR124010BL-000003-RS | Fan Module, L=200MM, 4cm, 3 pin, CCL, RoHS |
| EBC-3220-DH610-R10 | Embedded chassis with KINO-DH610, support Intel® Core™ i7/i5/i3, Pentium®, Celeron® CPU, one 2.5" HDD drive bay, w/ 19 V/6.32 A 120W power adapter (support up to 65W CPU), Black, R10, RoHS |
| CPU-DT-i5-2500T | Intel® Core™ i5-2500T processor, LGA1155, quad core 2.3 GHz, 6M cache, 45W, compatible with CF-1156D-RS CPU cooler |
| CPU-DT-i5-2390T | Intel® Core™ i5-2390T processor, LGA1155, dual core 2.7 GHz, 3M cache, 35W, AMT, compatible with CF-1156D-RS CPU cooler |
| CPU-DT-i3-2100T | Intel® Core™ i3-2100T processor, LGA1155, dual core 2.5 GHz, 3M cache, 35W, compatible with CF-1156D-RS CPU cooler |
| CPU-DT-P-G620T | Intel® Pentium® G620T processor, LGA1155, dual core 2.2 GHz, 3M cache, 35W, compatible with CF-1156D-RS CPU cooler |
| CPU-DT-C-G440 | Intel® Celeron® G440 processor, LGA1155, single core 1.6 GHz, 1M cache, 35W, compatible with CF-1156D-RS CPU cooler |
| CF-1156D-RS | LGA1155/LGA1156 cooler kit, 1U chassis compatible 65W |