

# AR-V6005FL

Fanless In-Vehicle system, Intel Atom E640  
with smart power onboard, GPS/3.5G/WiFi/Bluetooth option



## Features



- Rugged fanless design
- Support Intel Atom E640 processors with EG20T chipset
- 2GB DDR2 Memory Onboard
- Support CAN 2.0A/2.0B protocol and i-Button for driver ID
- VGA/DVI-D output
- Variety Wireless Communication
- Combo connector to simplify touch monitor installation



In-Vehicle Computer

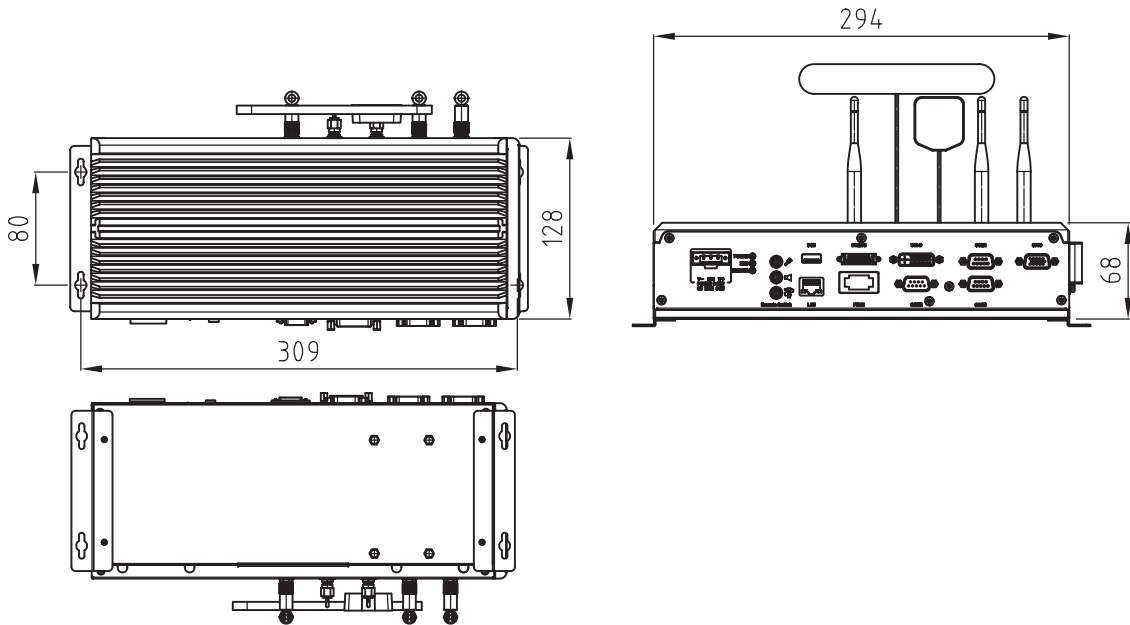
www.acrosser.com

## Specification

System	
<b>CPU</b>	Intel Atom E640 1.0 GHz
<b>Chipset</b>	Intel EG20T
<b>Memory</b>	DDR2 memory, 2GB on board
Video	
<b>Graphic Controller</b>	Integrated with Processor
<b>Video Memory</b>	DVMT, Maximum 64MB
<b>Video Interface</b>	1 x DVI connector 1 x Combo connector (VGA/USB/Audio/12VDC)
Storage	
<b>SATA</b>	1 x SATAII connector with power connector
<b>CF</b>	1 x CF slot (Type I/Type II), support UDMA
<b>Disk Bay</b>	1 x 2.5" HDD bay with Anti-vibration / Anti-shock solution
I/O	
<b>Expansion Slot</b>	2 x Mini PCIe (For Optional 3.5G / WiFi module only)
<b>Ethernet</b>	1 x Intel GbE Chip via RJ-45 connector
<b>USB</b>	2 x USB 2.0 (1 x External port, 1 * COMBO connector)
<b>Serial Port</b>	2 x RS232 (2 x DB9) 1 x RS232/422/485 (DB9, switch selectable)
<b>GPIO</b>	8-bit GPIO (4 In, 4 Out)
<b>Antenna Hole</b>	1 x SMA for GPS, 1 x SMA for 3.5G, 2 x SMA for WiFi, 1 x SMA for Bluetooth
<b>SIM</b>	1 x SIM Slot, SIM card changeable without opening case
<b>iButton</b>	1-Wire interface for driver ID and sensors
<b>CAN BUS</b>	Support CAN 2.0A/2.0B protocol
Others	
<b>Audio</b>	Audio Codec (Line-out & MIC)
<b>Hardware Monitoring</b>	CPU voltage and temperature
<b>WatchDog Timer Indicator</b>	1~255 sec. software programmable Power / HDD / Status LED

Software	
<b>OS Support</b>	Fedora 14, Ubuntu 10
Power Requirement	
<b>Power Input</b>	9~32 V (+/-5%) single voltage input, 3 poles terminal block
<b>Power Consumption</b>	Max 19W
Mechanical & Environment	
<b>Thermal Design</b>	Fanless
<b>Chassis Material</b>	Metal SPGC
<b>Vibration</b>	IEC 60068-2-64, 5~500Hz, 3GRMS(CF/SSD), Operating with SSD
<b>Shock</b>	IEC 60068-2-27, 50G 500m/s <sup>2</sup> 11MS, Operating with SSD
<b>Dimension</b>	294mm x 128mm x 68mm
<b>Weight</b>	2.4KG
<b>Operating Temp.</b>	0~60°C (32~140°F) for SSD
<b>Storage temp.</b>	-40~80°C (-40~176°F)
<b>Relative Humidity</b>	0 ~ 90% @ 40°C, non-condensing
<b>Safety</b>	CE, FCC class B, E-Mark, ISO 7637-2
Smart In-Vehicle Power Management	
<b>O/S Anti-Crash</b>	Smart O/S boot/shut-down control by power subsystem
<b>System boot / Shut-down delay</b>	Delay time from 0 seconds to 60 minutes setting in BIOS
<b>System boot fail retry</b>	3 times boot fail retry
<b>Power on/off switches</b>	<ul style="list-style-type: none"> <li>● System power switch by remote cable switch</li> <li>● System power input serial connection to car battery and ignition switch</li> </ul>
<b>Car battery protection</b>	Low battery voltage monitoring and configurable auto shutdown low battery voltage level

## Dimension



## I/O Connector



### Packing List

- 1 x AR-V6005FL
- 1 x User Guide & System Driver CD
- 2 x Wall Mount Bracket
- 1 x Screw pack(2.5" HDD bracket: 4pcs)
- 1 x Terminal block female 3pin
- 1 x Spare Fuse 7.5A
- 1 x SATA & SATA power cable
- 1 x Remote Switch Cable
- 1 x GPIO/CAN/Driver ID DB15 Cable
- 1 x One to Many Combo Cable

### Ordering Information

**AR-V6005FL** AR-V6005FL with Intel Atom E640 1.0GHz, 2GB on board

### Optional Modules

- **100070072** Sierra MC8705 with RF cable, Cable Antenna
- **100070074-01** Wision G5020-1 GPS module with RF Cable, Cable Antenna (L=5M)
- **100070070** Qcom QBTM400-01 bluetooth module with RF Cable, Antenna
- **100070092** Sparklan WPEA-252NI WiFi Module Industrial Temperature, RF Cable Antenna x 2