

ACE-S7400

AMD eOntario All-in-One Gaming system

Gaming Platform



Features



- AMD Radeon HD 6310 Integrated Graphic Controller
- Supports DX11 & OpenGL 4.1
- 32 digital inputs and 32 digital outputs with Micro fit 3.0 connector
- 6 serial ports, 4 x RS-232C, 2 x RS-232C/485/ccTalk
- 2MB SRAM memory (max. 4MB)
- Timer & Meter pulse generator, counters
- Intrusion Logger



Specification

Invention Patent I334065

Specification	
CPU	AMD Dual Core:T48N 1.4GHz
Chipset	AMD Fusion Control Hub A55E
Memory	2 x DDR3 SO-DIMM up to 8GB, 1GB pre-installed
Video	
Graphic Controller	Integrated Radeon HD 6310, support DX11, OpenGL 4.1
Video Memory	Max. 984MB
Video Interface	1 x DVI-I (DVI or VGA) + 1 x DVI, Dual display supported
Storage	
SATA	2 x SATA 2.0 connectors
CF	2 x Compact Flash Type II socket
I/O	
Ethernet	2 x Gbps LAN with RJ45 connector
USB	8 x USB 2.0 (6 x external, 2 x internal)
Serial Port	<ul style="list-style-type: none"> ● 4 x RS-232C with male DB9 ● 2 x RS-232C/RS-485/ccTalk with Micro fit 3.0 connector
Audio	
Output	<ul style="list-style-type: none"> ● 2.1 channel from micro fit 3.0 connector ● 5.1 channel from box header
Amplifier	<ul style="list-style-type: none"> ● 2.1 channel (10W x 2 + 20W) ● 5.1 channel un-amplified
Other feature	
Watchdog Timer	1 to 255 seconds programmable
Indicator	HDD and Power LED
PCI Express Slot	1 x Mini PCIe slot
Reset	1 x system reset connector
Gaming Function	
I/O Interface	Micro fit 3.0 connector
Digital Input	<ul style="list-style-type: none"> ● 32 x external inputs (Features 4 counters, 5 intrusion loggers) ● 8-bit DIP switch ● Programmable debounce time ● State Change interrupt
Digital Output	<ul style="list-style-type: none"> ● 29 x 500 mA outputs (features 8 pulse generators) ● 3 x 1000 mA outputs ● Meter outputs support pulse generator
Readable DIP Switch	8-bit (Optional)
GPIO	16-bit TTL level GPIOs
Timer	4 x 16-bit programmable timer

Gaming Function

Battery backup SRAM	<ul style="list-style-type: none"> ● 2 x 1M bytes (optional 2 x 2M bytes) ● 2 x 500mAh re-chargeable battery
EEPROM	1 K bytes
Event Logger	<ul style="list-style-type: none"> ● 5 x external, 1 x internal, 1x chassis door intrusion inputs ● 2 x SRAM battery low detections ● Power and Reset event
Smart Card Reader	N/A
Secured Real Time Clock	Password protected
Software Security	<ul style="list-style-type: none"> ● 1x DS2404 on board iButton chip ● 1 x external 1 wire interface for iButton ● ProtectU 2.0: AES, HASH

Power Requirement

Power Input	<ul style="list-style-type: none"> ● 12V for system ● 12V or 24V for ccTalk
Power Consumption	max. 36W

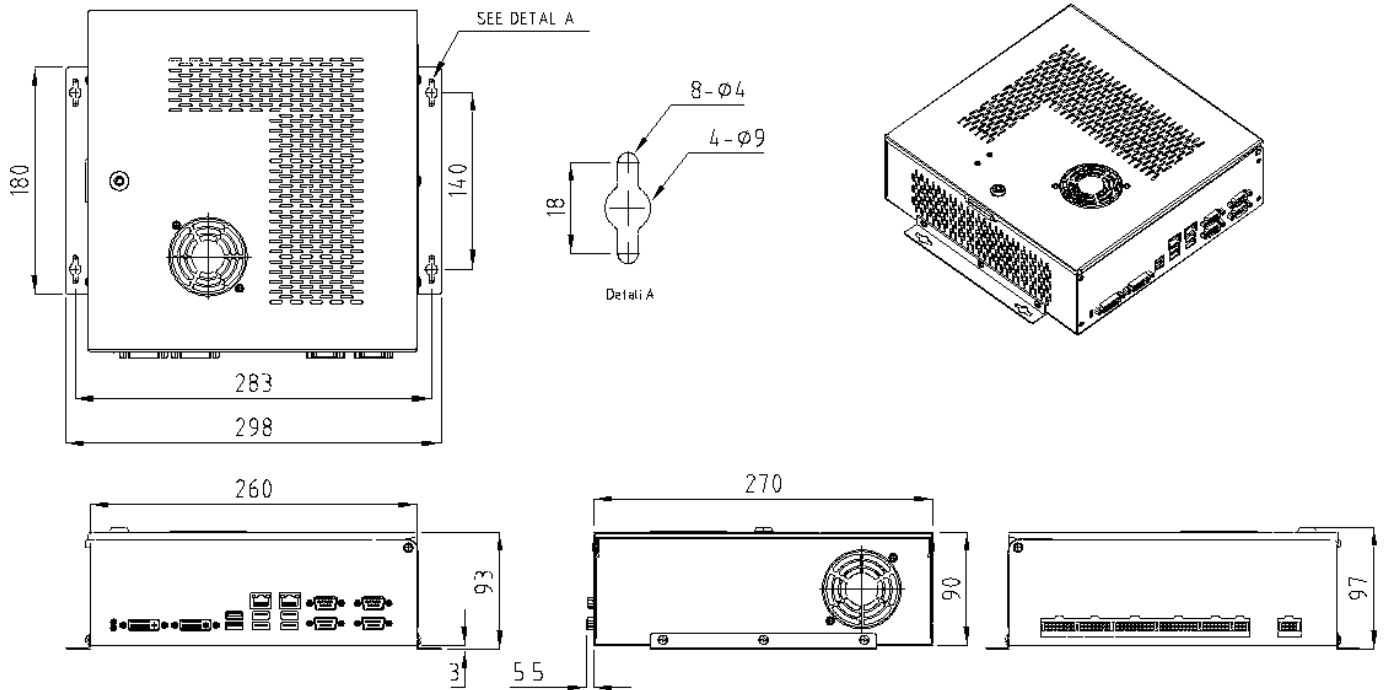
Software

Software	<ul style="list-style-type: none"> ● Device driver
Development Kit	<ul style="list-style-type: none"> ● Application Program Interface (API) ● Demo program
OS Support	Windows XP, Windows 7 (32/64 bit), Linux Fedora 14 (32 bit), Ubuntu 10.04 (32 bit)

Mechanical & Environment

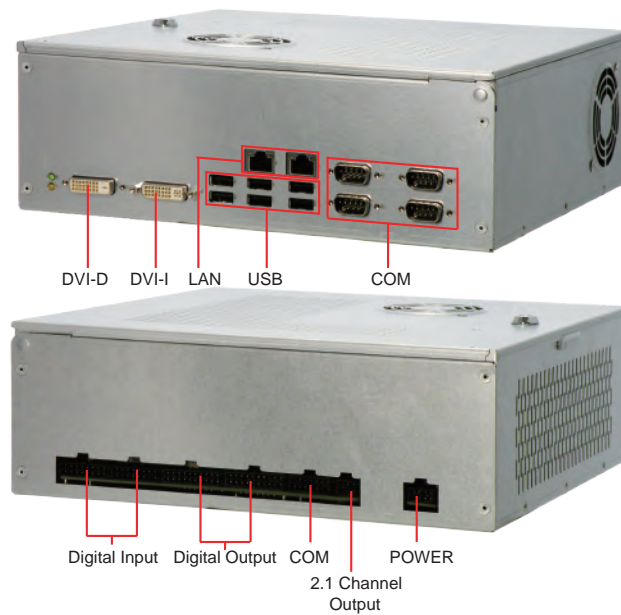
Thermal Design	1 x CPU fan, 2 x system fan
Dimension	270 mm x 260 mm x 89 mm (10.63" x 10.236" x 3.504")
Operation Temp.	0 ~ 60°C (32 ~ 140°F)
Storage Temp.	-20 ~ 85°C (-4 ~ 185°F)
Relative Humidity	0 to 90% @ 40°C, non-condensing
Safety	CE, FCC class A

Dimensions



Gaming Platform

I/O Connectors



Ordering Information

ACE-S7400T48 ACE-S7400 with AMD T48N 1.4GHz Dual Core processor