

ARK-6610/6620

Compact Embedded Chassis for Mini-ITX Motherboard

NEW



CE FCC RoHS COMPLIANT PRODUCT

Features

- Front I/O interfaces with one expansion slot
- Reserves various cutouts for COM, DVI/LVDS, S/C-video, USB, and WLAN antenna
- Shockproof disk drive bay for one slim CD/DVD-ROM and one 3.5" hard disk
- Bottom door for access to CF or mini-PCI on the solder side of motherboard
- Optional 180 W or 270 W AC ATX PFC power supply with power cord hook
- LED indicators for system fault detection
- Easy-to-maintain system fan and reusable filter
- Optional WLAN 802.11 b/g module
- Bare version supports dedicated motherboard: AIMB-212/213

Specifications

		ARK-6610	ARK-6620
Disk Drive Bay	Slim Optical Drive	1	-
	3.5" (internal)	1	1
I/O Interface	COM	5	2
	USB	2	-
	DVI/LVDS	2	1
	S/C-Video	1	1
	WLAN Antenna	1	1
Cooling	Fan	1 (9 cm / 52.5 CFM)	2 (6 cm / 27.7 CFM, each)
	Air Filter	Yes	Yes
Miscellaneous	LED Indicators	Power, HDD, temperature	Power, HDD, temperature
	Control	Power switch	Power switch
Environment	Temperature	Operating 0 ~ 40° C (32 ~ 104° F)	Non-operating -20 ~ 60° C (-4 ~ 140° F)
	Humidity	10 ~ 85%, 40° C, non-condensing	10 ~ 95%, @ 40° C, non-condensing
	Vibration (5 ~ 500 Hz)	1 Grms	2 G
	Shock	10 G (with 11ms duration, half sine wave)	30 G
Physical Characteristics	Dimensions (W x H x D)	250 x 156 x 253 mm (9.8" x 6.1" x 10")	272 x 88 x 232 mm (10.7" x 3.5" x 9.1")
	Weight	4.76 kg (10.47 lb)	3.49 kg (7.68 lb)

Front View

ARK-6610

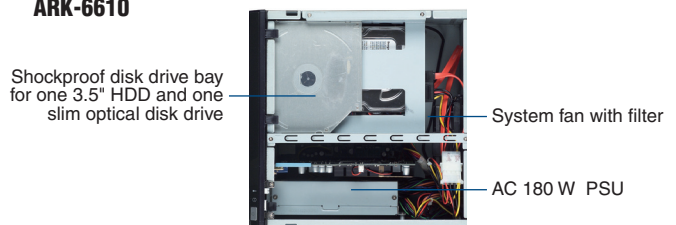


ARK-6620

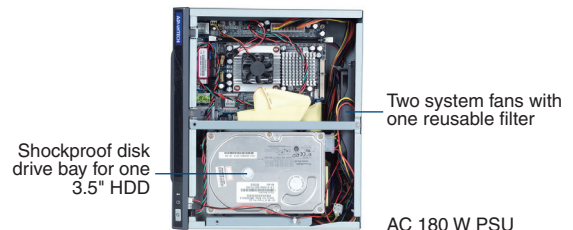


Inside View

ARK-6610



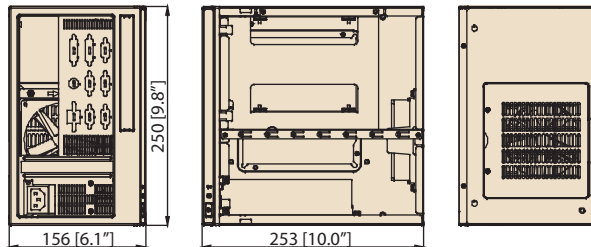
ARK-6620



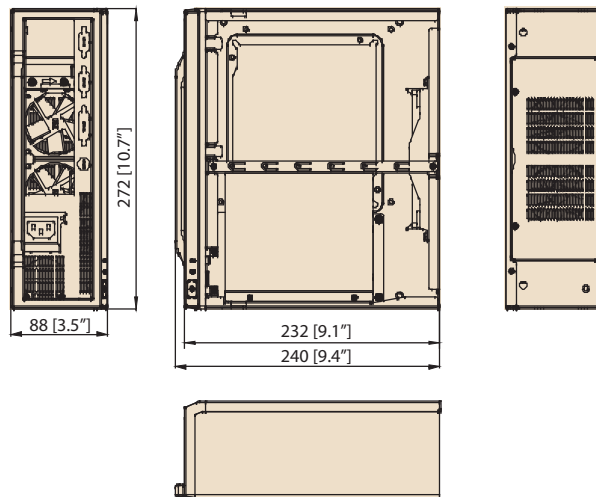
Dimensions

Unit: mm [inch]

ARK-6610



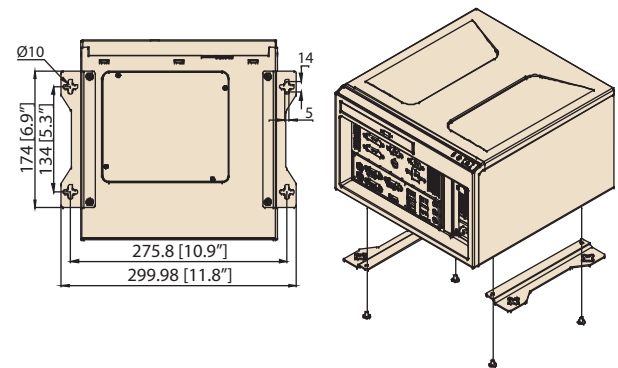
ARK-6620



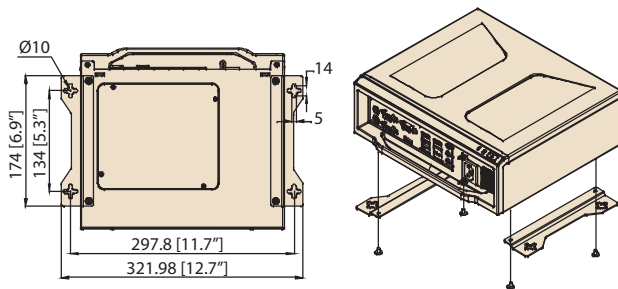
Installation

Unit: mm [inch]

ARK-6610



ARK-6620



Chassis Ordering Information

Part Number	Power Supply	Motherboard	Regulation
ARK-6610-00XBE	-	AIMB-212/213	CE, FCC
ARK-6610-18ZBE	1757000878	-	CE, FCC
ARK-6620-00XBE	-	AIMB-212/213	CE, FCC
ARK-6620-18ZBE	1757000878	-	CE, FCC

Optional Accessories

Part Number	Description
1700003434	TV-out cable
1700003435	DVI cable
1750002561	52.5 CFM, 92 x 92 x 25.4 mm system cooling fan (For ARK-6610)
1750002580	27.7 CFM, system cooling fan 60 x 60 x 13 mm (For ARK-6620)
989K008732	VESA mounting kit for ARK-6620
1700008982	SATA power cable for slim ODD
ARK-WLAN-USBE	Frame module to support wireless LAN with USB interface