

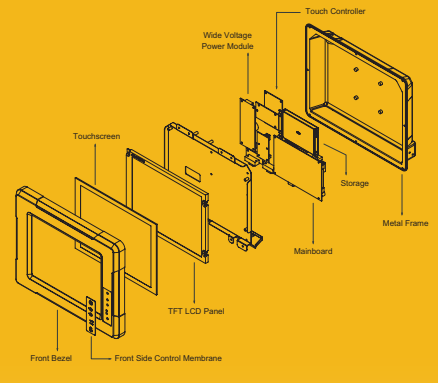
# A-WIN<sup>®</sup> Ruggedized Panel PC

Model Number : VM08IA3S-M2



Optional for Mounting Bracket

### Modularized Construction



FRONT VIEW

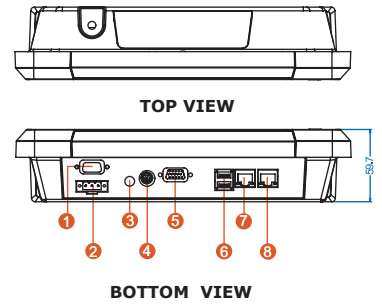
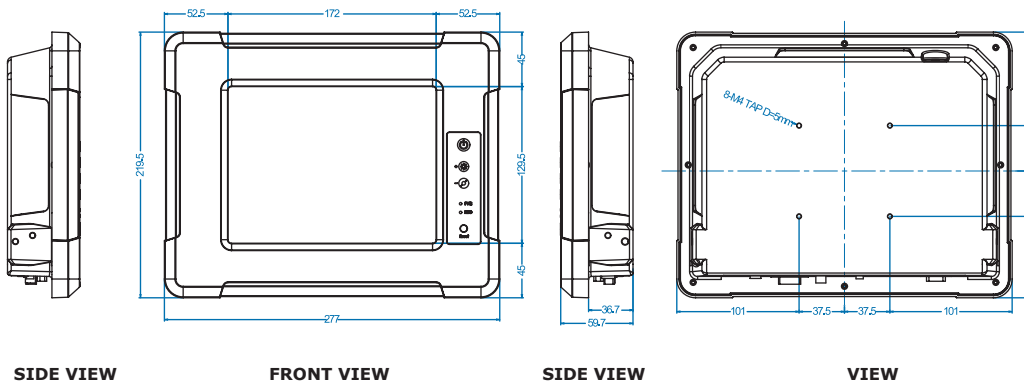


BOTTOM VIEW



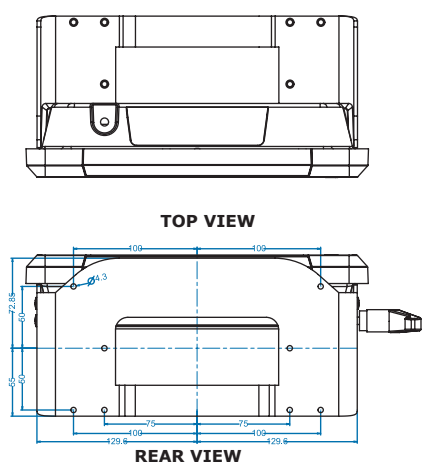
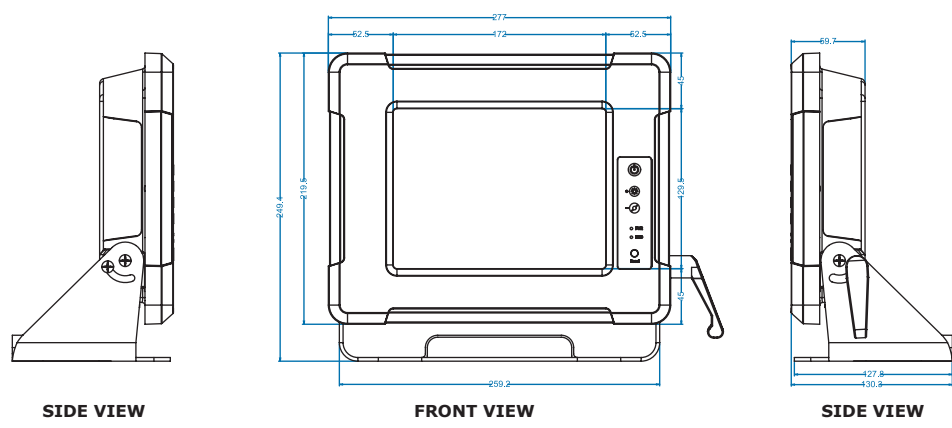
### Features :

- Intel<sup>®</sup>Atom N270 1.6 GHz Processor Fanless Design
- High Quality 8.4" Panel, 1024x768 resolution
- Full IP65 Dust/water resistant Protection (Except I/O parts)
- Aluminum Housing with Anti-Corrosion Treatments
- Anti-Shock and Vibration Standard according to MIL810F & IEC60068-2-27
- 5 Wire Resistive Touchscreen / Anti-Reflection Protection Glass (Optional)
- 802.11b/g Wireless LAN with Antenna(Optional)
- Wide Range 8 to 36V DC Input Acceptable(Optional)
- Transflective Sunlight Readable and Extended Wide Temperature Range(Optional)



- 1.COM1
- 2.DC Terminal Block (optional)
- 3.DC Lockable Input (Default)
- 4.PS/2
- 5.VGA
- 6.USB 1.2
- 7.LAN1
- 8.LAN2

Drawing w / Mounting Bracket



Measurements shown in mm / All Dimensions are  $\pm 0.5$  mm

\* Note: this is a simplified drawing and some components are not marked in detail. Please contact our sales representative if you need further product information.

### TFT Characteristics

Pixel Number	: 1024x768
Pixel Pitch(mm)	: 0.16725 (H) x 0.16725 (V)
Contrast Ratio	: 400:1(typ.)
Brightness	: 300 (typ.)
Viewable Angle(CR $\geq$ 10)	: -65~65 (H); -50~60 (V)
Active Display Area	: 171.264 (H) x 128.448 (V)
Max Colors	: 262,144 (6bits/color)

### SBC Specifications

Processor	: Intel <sup>®</sup> Atom N270 1.6 GHz Processor
BIOS	: AMI 4Mbit Flash
System Chipset	: Intel <sup>®</sup> 945GSE / ICH7M Chipset
System Memory	: 1 x SODIMM, Max 2GB DDR2 667/533
Wireless (Optional)	: 1 x Mini PCI base Wireless LAN card with SMA antenna
LAN Controller	: Dual Realtek RTL8111B GigaLAN
Storage	: 4G Compact Flash Card
Expansion Slot	: 1 x Mini PCI, 1 x CF

### I/O Connectors

Back Panel I/O Port : 2 x RJ-45(10/100 Mbps, Optional GigaLAN),  
 1 x PS/2, 1 x VGA(DB-15),  
 1 x DC-in Jack(Lockable),  
 2x USB 2.0,  
 1x RS232/422/485,  
 WLAN antenna SMA in top (Optional)

### In front Control

Control Button	: Power On/ Off Reset Brightness Up Brightness Down
LED indicator	: Power On/ Off HDD Status

### Mechanical and Environment

Dimensions (W x L x H)	: 277 mm x 219.5 mm x 59.7 mm
Power Input	: 12V DC w/ lockable connector
Power Consumption	: 54.5W typ.
Operation Temperature	: -10 deg.C to 55 deg.C
Operation Humidity	: 10% to 95% (non condensing)
Shock*	: Operating:30g for 18ms, 300m/s <sup>2</sup>
Vibration*	: Operating: 1.60/1.96/2.18 g rms for XYZ / 5-500Hz

\* When use Industrial Compact Flash

### Certifications

CE/FCC ClassB  
 MIL810F/ IEC60068-2-27 for Vibration /Shock

### Product Optional Items

Mounting Bracket and Kits	One robust bracket with locking handle (Can adjust from -5deg. to 90deg.)
Sunlight Readable	Transflective film enhancement for optional
Wide Temperature Range	Extended temperature -20 to 60 deg. C module build-in for optional
Operation System	Windows XP embedded, Windows XP, Windows CE 5.0, Linux 2.6.11
Storage	4G Industrial Compact Flash Card
Anti-reflective Glass	3mm Anti-reflective Protection Glass (w/o Touch)
WLAN	Mini PCI base Wireless LAN card with SMA antenna
Wide Power Input Range	8V to 36V wide range acceptable for optional
Terminal Block	Pluggable 3pin terminal block power input

Rev.	Reasons	Revised Date
1.0	New Add	JAN-20-09