

EBC-3200

Embedded Chassis for Variety of IEI Mini-ITX SBC



- ◆ Design for Mini-ITX SBC with single voltage input
- ◆ Flexible storage with CF or 2.5" HDD (optional)
- ◆ One PCI or PCIe expansion slot (optional)

Mini-ITX

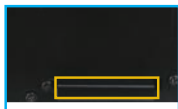


Flexible design with five optional module for storage and expansion slot.



Flexible storage by Optional module

2 x internal 2.5" HDD (Default)



1 x internal 2.5" HDD
1 x CF slot



1 x Expansion slot (PCI/PCIe)
1 x internal 2.5" HDD



1 x Expansion slot (PCI/PCIe)
1 x CF slot

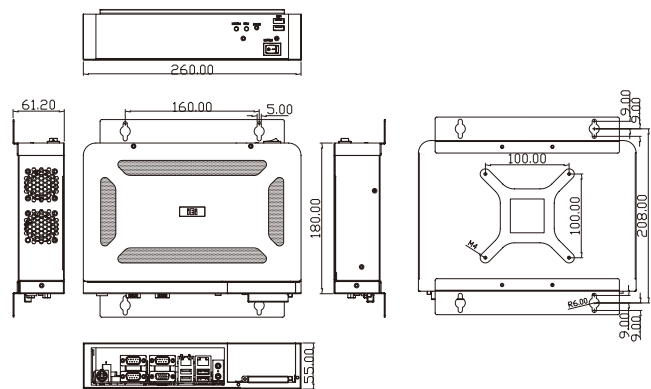
Optional module	
Part No.	Description
EBCKIT-01-R10/PCI-HDD	EBC-3200 optional module with 1xPCI slot and 1x2.5" HDD, RoHS
EBCKIT-02-R10/PCIe-HDD	EBC-3200 optional module with 1xPCIe slot and 1x2.5" HDD, RoHS
EBCKIT-03-R10/PCI-CF	EBC-3200 optional module with 1xPCI slot and 1xCompactFlash slot, RoHS
EBCKIT-04-R10/PCIe-CF	EBC-3200 optional module with 1xPCIe slot and 1xCompactFlash slot, RoHS
EBCKIT-05-R10/CF-HDD	EBC-3200 optional module with 1xCompactFlash slot and 1x2.5" HDD, RoHS

Specifications

SBC Form Factor:	Mini-ITX SBC(Single Voltage input)
Cooling Fans	2 x 4cm
Storage	2 x 2.5" HDD (Default) or 1 x 2.5" HDD + 1 x CF kit (Optional)
Indicates	Power, HDD LED
Buttons	Power switch, reset
Expansion	1 x PCI / PCIe (Optional)
Color	Black
Dimensions	260mm(W) x 180mm(D) x 55 mm (H)
Weight (Net/Gross)	1.1KG/2KG
Operating temperature:	-10~ 50°C with air flow*
Mounting	Desktop, wall mount, VESA mount

(*Ambient air speed pre IEC-68-2-2 standard)

Dimensions (unit: mm)



Compatible SBC

Part No.	Expansion Type (optional)
KINO-945GSE2	PCI
KINO-780EB	PCI
KINO-GM45A	PCI
KINO-QM57A	PCIe x16

Packing List

1 x QIG	1 x screw set
2 x wall mount bracket	1 x driver CD
1 x Power cord	

Ordering Information

Part No.	Description
EBC-3200-R10	Mini-ITX embedded chassis, compatible two 2.5" HDD, w/o power adapter, Black, RoHS
63000-FSP060DBAB1554-RS	Power Adapter;FSP060-DBAB1554;VAC:90V~264V;12V/5A;60W; DIN 4 PIN/WITH LOCK;1800MM; FSP; RoHS
32000-000002-RS	Round Cable;power Cord;2;1830MM; (A)PLUG(16A 250V); (B)CONNECTOR(10A 250V); European Power Cord(CEE);RoHS
32000-000025-RS	Power Cord;power Cable;2;1830MM;18AWG;(A)PLUG 10A/125V;(B)CONNECTOR 10A/125V;america Power Cord(UL); RoHS