

# EDS-P206A-4PoE Series

## 6-port IEEE 802.3af/at PoE+ unmanaged Ethernet switches



- > 4 IEEE 802.3af/at compliant PoE and Ethernet combo ports
- > Up to 30 watts per PoE port
- > 24/48 VDC wide range redundant power inputs
- > Intelligent power consumption detection and classification
- > Redundant dual VDC power inputs
- > -40 to 75°C operating temperature range (T models)



### Introduction

The EDS-P206A-4PoE switches are smart, 6-port, unmanaged Ethernet switches supporting PoE (Power-over-Ethernet) on ports 1 to 4. The switches are classified as power source equipment (PSE), and when used in this way, the EDS-P206A-4PoE switches enable centralization of the power supply and provide up to 30 watts of power per port. The

switches can be used to power IEEE 802.3af/at compliant powered devices (PD), eliminating the need for additional wiring, and support IEEE 802.3/802.3u/802.3x with 10/100M, full/half-duplex, MDI/MDI-X auto-sensing to provide an economical solution for your industrial Ethernet network.

### Specifications

#### Technology

##### Standards:

- IEEE 802.3at for Power-over-Ethernet
- IEEE 802.3 for 10BaseT
- IEEE 802.3u for 100BaseT(X)
- IEEE 802.3x for Flow Control

**Processing Type:** Store and Forward

**Flow Control:** IEEE 802.3x flow control, back pressure flow control

#### Switch Properties

##### Interface

**Fiber Ports:** 100BaseFX ports (SC/ST connector)

**RJ45 Ports:** 10/100BaseT(X) auto negotiation speed, Full/Half duplex mode, and auto MDI/MDI-X connection

**LED Indicators:** PWR1, PWR2, 10/100M, PoE

##### Optical Fiber

	100BaseFX	
	Multi-mode	Single-mode
Wavelength	1300 nm	1310 nm
Max. TX	-10 dBm	0 dBm
Min. TX	-20 dBm	-5 dBm
RX Sensitivity	-32 dBm	-34 dBm
Link Budget	12 dB	29 dB
Typical Distance	5 km <sup>a</sup> 4 km <sup>b</sup>	40 km <sup>c</sup>
Saturation	-6 dBm	-3 dBm

- a. 50/125 μm, 800 MHz\*km fiber optic cable
- b. 62.5/125 μm, 500 MHz\*km fiber optic cable
- c. 9/125 μm single-mode fiber optic cable

#### Power Requirements

**Input Voltage:** 24/48 VDC

**Input current:** Max 7.5 A @ 24 VDC (supports up to 4 ports at 30 watts per PoE port)

**Overload Current Protection:** Present

**Connection:** 1 removable 4-contact terminal block

**Reverse Polarity Protection:** Present

#### Physical Characteristics

**Housing:** Metal, IP30 protection

**Dimensions:** 50 × 115 × 70 mm (1.96 x 4.52 x 2.76 in)

**Weight:** 375 g

**Installation:** DIN-Rail mounting, wall mounting (with optional kit)

#### Environmental Limits

**Operating Temperature:**

Standard Models: 0 to 60°C (32 to 140°F)

Wide Temp. Models: -40 to 75°C (-40 to 167°F)

**Storage Temperature:** -40 to 85°C (-40 to 185°F)

**Ambient Relative Humidity:** 5 to 95% (non-condensing)

#### Regulatory Approvals

**Safety:** UL508 (Pending)

**EMI:** FCC Part 15, CISPR (EN55022) class A

**EMS:**

EN61000-4-2 (ESD), level 3; EN61000-4-3 (RS), level 3;

EN61000-4-4 (EFT), level 4; EN61000-4-5 (Surge), level 4;

EN61000-4-6 (CS), level 3; EN61000-4-8

**Shock:** IEC 60068-2-27

**Freefall:** IEC 60068-2-32

**Vibration:** IEC 60068-2-6

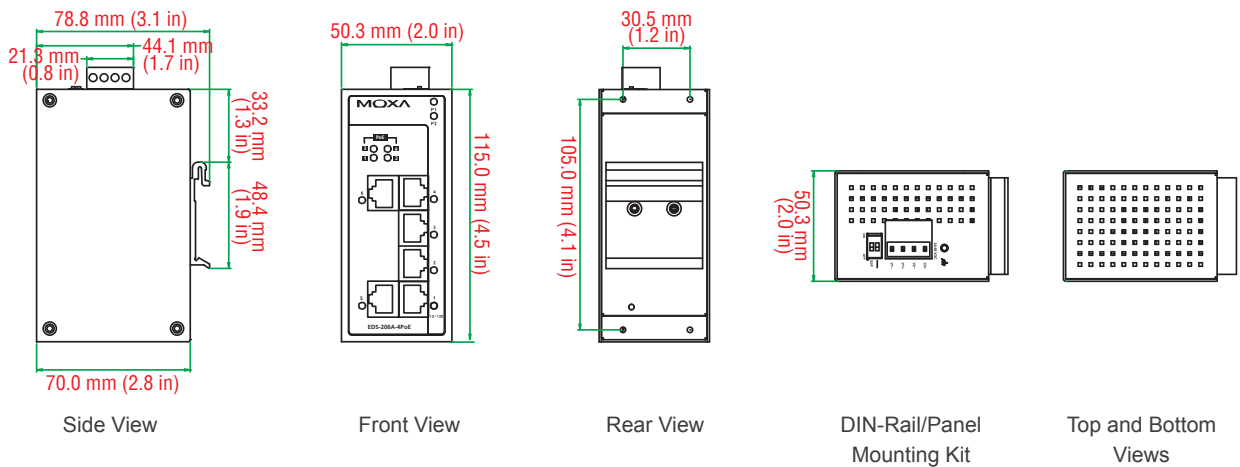
*Note: Please check Moxa's website for the most up-to-date certification status.*

#### Warranty

**Warranty Period:** 5 years

**Details:** See [www.moxa.com/warranty](http://www.moxa.com/warranty)

## Dimensions



## Ordering Information

Available Models		Port Interface			
Standard Temperature (0 to 60°C)	Wide Temperature (-40 to 75°C)	10/100BaseT(X)	100BaseFX		
			Multit-mode, SC Connector	Multit-mode, ST Connector	Single-mode, SC Connector
EDS-P206A-4PoE	EDS-P206A-4PoE-T	6	–	–	–
EDS-P206A-4PoE-M-SC	EDS-P206A-4PoE-M-SC-T	5	1	–	–
EDS-P206A-4PoE-M-ST	EDS-P206A-4PoE-M-ST-T	5	–	1	–
EDS-P206A-4PoE-MM-SC	EDS-P206A-4PoE-MM-SC-T	4	2	–	–
EDS-P206A-4PoE-MM-ST	EDS-P206A-4PoE-MM-ST-T	4	–	2	–
EDS-P206A-4PoE-S-SC	EDS-P206A-4PoE-S-SC-T	5	–	–	1
EDS-P206A-4PoE-SS-SC	EDS-P206A-4PoE-SS-SC-T	4	–	–	2

### Optional Accessories (can be purchased separately)

**SPL-24:** PoE splitter, maximum output of 12.95 W at 24 VDC, 0 to 60°C operating temperature (see page 1-61 for details)

**SPL-24-T:** PoE splitter, maximum output of 12.95 W at 24 VDC, -40 to 75°C operating temperature (see page 1-61 for details)

**DR-75-48/120-48:** 75W/120W DIN-Rail 48 VDC power supplies

**WK-46:** Wall mounting kit

**RK-4U:** 4U-high 19" rack mounting kit