

# IOVU-570M ARM-based Panel PC

**NEW**

**Built-in WiFi function**


WiFi function supports 802.11b/g



SD card

Preinstalled Windows® CE5.0 or ARM-Linux boot from secure digital card

2 x USB1.1 host  
 12~36 V DC-IN  
 Reset button  
 10/100Mbps LAN  
 RS-232/422/485  
 (software controllable)



## Features:

- 5.7" TFT VGA LCD with resistive touch screen
- MARVELL XScale PXA270 520MHz processor and 128MB SDRAM
- Default 1GB secure digital card for OS and user data/programs
- Built-in 802.11b/g Wireless LAN
- Built-in 1.5W speakers
- IP64 compliant front panel
- Fan-less design for rigorous environments
- Preinstalled Windows® CE5.0 operating system.
- Windows® CE5.0 SDK for user application software development.

## Packing List

1 x IOVU-570M
1 x Utility CD includes application tools, SDK, and technical document.
1 x Null modem cable
1 x Touch pen

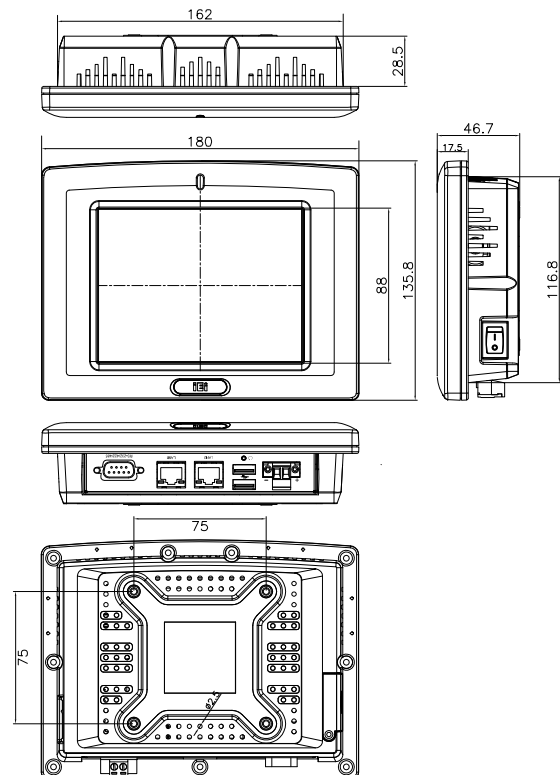
## Ordering Information

Part No.	Description
IOVU-570M-CE5/-R10	5.7", VGA fan-less touch panel PC with MARVELL XScale PXA270 CPU, 128MB SDRAM, 802.11b/g wireless LAN and built-in Windows® CE5.0 Operating System

## Options

Part No.	Description
ALFPK-08	Panel mount kit
AFLWK-07	VESA 75 wall mount kit
ARM-11-RS	LCD Monitor/PPC Arm kit loading capacity from 3kg~7kg
STAND-A08-RS	LCD Monitor/PPC Stand kit for VESA 75 and support up to 5 Kg
VSTAND-A07	LCD Monitor/PPC STAND V type for VESA 75, 0~90 degree adjustable hinge and support up to 2.5 Kg
AFLP-12BMSR-U	USB Magnetic Card Reader
AFLP-BRW01-U / AFLPB01-U	USB Barcode Reader (White / Black)
AFLP-CDB01 / AFLP-CDW01	VFD Customer Display (Green) 5 x 7 dot matrix (Black / White)
63000-FSP0601AD101C760-RS	12V DC 60W power adapter with bare wire, 90~264V AC input

## Dimensions (Unit : mm)



# IOVU RISC-based Panel PC specifications



Model Name	IOVU-430M	IOVU-570M	IOVU-571N	IOVU-700M	IOVU-1000M	IOVU-1500M	IOVU-751R	IOVU-1051R
<b>SYSTEM</b>								
CPU	XScale® PXA270 416 MHz	XScale® PXA 520 MHz	Nuvoton (Winbond) W90P910CBG 200 MHz	XScale® PXA 520 MHz	XScale® PXA 520 MHz	XScale® PXA 520 MHz	Alchemy™ AU1250 500 MHz	Alchemy™ AU1250 500 MHz
Bootloader Storage	2 MB	2 MB	N/A	2 MB	2 MB	2 MB	2 MB	2 MB
RAM	128 MB SDRAM	128 MB SDRAM	128MB SDRAM	256 MB SDRAM	128 MB SDRAM	128 MB SDRAM	256 MB DDR2	128 MB DDR2
OS/Program Storage	1GB Mini secure digital card	1GB secure digital card	64MB NAND flash	128MB compact flash card	128MB compact flash card	256MB compact flash card	1GB secure digital card	256MB compact flash card
<b>DISPLAY</b>								
LCD Size	4.3"	5.7"	5.7"	7"	10.4"	15"	7"	10.4"
LCD Color	262 K	262 K	262K	262 K	262K	262K	262 K	262K
Display Resolution	WQVGA	VGA	VGA	WVGA	SVGA	XGA	WVGA	SVGA
LCD Brightness (cd/m <sup>2</sup> )	500	400	400	400	230	350	400	230
Dot Pitch (mm)	0.066(H) x 0.198(V)	0.06(H) x 0.18(V)	0.06(H) x 0.18(V)	0.064(H) x 0.191(V)	0.264 x 0.264	0.297 x 0.297	0.064(H) x 0.191(V)	0.264 x 0.264
Viewing Angle (H-V)	100 / 60	140 / 100	140/ 100	140 / 100	120 / 100	120 / 100	140 / 100	120 / 100
Backlight MTBF	10000	25000	25000	50000	20000	50000	50000	20000
Touch Screne	Projective-Capacitor Type	Resistor Type	Resistor Type	Resistor Type	Resistor Type	Resistor Type	Resistor Type	Resistor Type
Multimedia Support	MPEG 1	MPEG 1	MPEG 1	MPEG 1	MPEG 1	MPEG 1	MPEG 1/2/4 and WMV9	MPEG 1/2/4 and WMV9
<b>I/O and COMMUNICATION</b>								
I/O Interface	1 x RS-232/422/485 (software controllable) 1 x Reset button 1 x 10/100Mbps LAN 1 x USB1.1 host 1set CAN bus 6sets GPIO 1 x 2pin Terminal block DC input	1 x RS-232/422/485 (software controllable) 2 x 10/100Mbps LAN 2 x USB1.1 host 1 x SD card slot 1 x Reset button 1 x On/Off power switch 1 x 2pin Terminal block power input	1 x USB2.0 host 1 x USB client 1 x SD card slot 1 x 10/100Mbps LAN 1 x RS-232 1 x 10/100Mbps LAN 1 x USB1.1 host 1 x Reset button 1 x On/Off power switch 1 x 2pin Terminal block power input 1set CAN bus	1 x RS-422/485 (Software Controllable) 1 x RS-232 1 x 10/100Mbps LAN 1 x USB1.1 host 1 x Reset button 1 x On/Off power switch 1 x 2pin Terminal block power input 1set CAN bus	1 x RS-232/422/485 1 x RS-232 2 x 10/100Mbps LAN 2 x USB1.1 host 1 x Reset button 1 x On/Off power switch 1 x AC input (IOVU-1000M) 1 x 12V DC input (IOVU-1002M) 1 x 24V DC input (IOVU-1004M)	3 x RS-232/422/485 2 x 10/100Mbps LAN 2 x USB2.0 host 1 x Reset button 1 x On/Off power switch 8 x Digital input 8 x Digital output 1 x VGA output 1 x 2pin Terminal block power input	1 x RS-232/422/485 (Software Controllable) 1 x RS-232 2 x 10/100Mbps LAN (one supports POE) 2 x USB2.0 host 1 x Reset button 1 x On/Off power switch 1 x 2pin Terminal block power input 1 x AC input	1 x RS-232/422/485 1 x RS-232 2 x 10/100Mbps LAN 2 x USB1.1 host 1 x Reset button 1 x On/Off power switch 1 x AC input
Audio	1.5W Speaker x 2	1.5W Speaker	1.5W Speaker x 1	1.5W Speaker	1 x Mic-in, 1 x Line-out	1 x Line-out	1.5W Speaker	1 x Mic-in, 1 x Line-out
Wireless LAN	802.11 b/g	802.11 b/g	N/A	802.11 b/g	N/A	KAMIO-WL01 optional module (802.11 b/g)	N/A	N/A
<b>DIMENSION</b>								
Construction Material	ABS + PC Plastic	ABS + PC Plastic	ABS + PC Plastic	ABS + PC Plastic	ABS + PC Plastic	Aluminum	ABS + PC Plastic	ABS + PC Plastic
Net Weight (kg)	0.6	0.7	0.8	0.85	2.62	4	0.8	2.62
Front Panel Colco	Black	Black	Black	Black	Cool Gray	Sliver	Black	Cool Gray
Dimension (W x H x D mm)	145 x 104 x 34	180 x 135 x 45	180 x 132 x 40	226 x 140 x 41	312.5 x 242.6 x 68	410 x 309 x 85.2	226 x 140 x 41	312.5 x 242.6 x 68
<b>ENVIRONMENTAL / POWER</b>								
Operating Temperature (°C)	-20°C~60°C	-20°C~60°C	0°C~50°C	-20°C~60°C	0°C~50°C	0°C~50°C	-20°C~60°C	0°C~50°C
Front Panel Protection	IP65 Compliant	IP64 Compliant	IP64 Compliant	IP64 Compliant	IP65 Compliant	IP65 Compliant	IP64 Compliant	IP65 Compliant
Power Mode	AT	AT	AT	AT	AT	ATX	AT	AT
Power Requirement	12~36V DC input	12~36 V DC-IN	9~28 V DC-IN	12~36 V DC-IN	100~240 V AC-IN	9~36 V DC-IN	6~30 V DC-IN	100~240 V AC-IN
Power Consumption	7 W	8 W	8 W	10 W	13 W	24W	8.5 W	13 W
Vibration and Shock	MIL-STD-810F 1. Axes: 3 axes (Vertical / Transverse / Longitudinal) 2. 10 ~ 500Hz, 60min/axis 3. Equivalent to Z: 2.18Grms, X: 1.6Grms, Y: 1.96Grms							
Humidity	5%-90%RH	5%-90%RH	5%-90%RH	5%-90%RH	5%-90%RH	5%-90%RH	5%-90%RH	5%-90%RH