

EDS-205A/208A Series

5 and 8-port entry-level unmanaged Ethernet switches



- > 10/100BaseT(X) (RJ45 connector), 100BaseFX (multi mode, SC or ST connector)
- > Supports IEEE 802.3/802.3u/802.3x
- > Redundant dual 12/24/48 VDC (9.6 to 60 VDC), 18 to 30 VAC power inputs
- > IP30 aluminum housing
- > -10 to 60°C operating temperature range



Introduction

The EDS-205A/208A are entry-level 5 and 8-port industrial Ethernet switches that support IEEE 802.3 and IEEE 802.3u/x with 10/100M full/half-duplex and MDI/MDI-X auto-sensing. The EDS-205A/208A switches provide 12/24/48 VDC (9.6 to 60 VDC), 18 to 30 VAC redundant power inputs that can be connected simultaneously to live AC/DC power sources. In addition, the EDS-205A/208A switches are rated to operate at temperatures ranging from -10 to 60°C, and the IP30-rated aluminum housing is rugged enough for any harsh industrial environment.

The EDS-205A/208A have DIP switches for enabling or disabling broadcast storm protection, providing another level of flexibility for different industrial applications, and are easy to install on a DIN-rail, or in distribution boxes. The DIN-rail mounting capability and the IP30 housing with LED indicators make these plug-and-play switches easy to use and extremely reliable.

Specifications

Technology

Standards: IEEE 802.3 for 10BaseT, IEEE 802.3u for 100BaseT(X) and 100BaseFX, IEEE 802.3x for Flow Control

Processing Type: Store and Forward

Flow Control: IEEE 802.3x flow control, back pressure flow control

Interface

RJ45 Ports: 10/100BaseT(X) auto negotiation speed, Full/Half duplex mode, and auto MDI/MDI-X connection

Fiber Ports: 100BaseFX ports (SC/ST connector, multi-mode)

LED Indicators: Power, 10/100M (TP port), and 100M (fiber port)

Optical Fiber

Distance: 0 to 5 km, 1300 nm (50/125 μm, 800 MHz*km)
0 to 4 km, 1300 nm (62.5/125 μm, 500 MHz*km)

Min. TX Output: -20 dBm

Max. TX Output: -14 dBm

RX Sensitivity: -34 to -30 dBm

Power Requirements

Input Voltage: 12/24/48 VDC (9.6 to 60 VDC), 18 to 30 VAC (47 to 63 Hz)

Connection: Removable 4-contact terminal block

Reverse Polarity Protection: Present

Physical Characteristics

Housing: Aluminum, IP30 protection

Dimensions (W x H x D):

EDS-205A: 30 x 115 x 70 mm (1.18 x 4.52 x 2.76 in)

EDS-208A: 50 x 115 x 70 mm (1.96 x 4.52 x 2.76 in)

Weight: EDS-205A: 175 g

EDS-208A: 275 g

Installation: DIN-Rail and wall mounting

Environmental Limits

Operating Temperature: -10 to 60°C (14 to 140°F)

Storage Temperature: -40 to 85°C (-40 to 185°F)

Ambient Relative Humidity: 5 to 95% (non-condensing)

Regulatory Approvals

Safety: EDS-205A: UL508 (Pending)

EDS-208A: UL508 (Pending)

EMI: FCC Part 15, CISPR (EN55022) class A

EMS: EN61000-4-2 (ESD)

EN61000-4-3 (RS)

EN61000-4-4 (EFT)

EN61000-4-5 (Surge)

EN61000-4-6 (CS)

EN61000-4-8

EN61000-4-11

Shock: IEC 60068-2-27

Freefall: IEC 60068-2-32

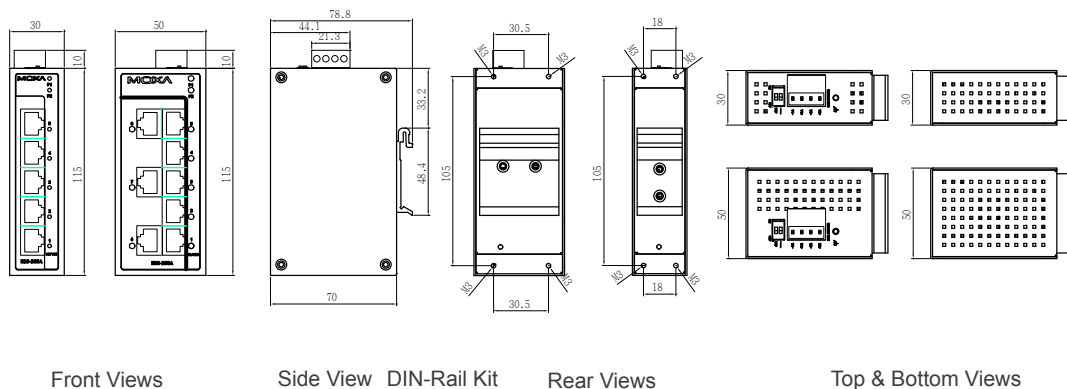
Vibration: IEC 60068-2-6

*Please check Moxa's website for the most up-to-date certification status.

Warranty

5 years (see www.moxa.com/warranty for details)

Dimensions (unit = mm)



Ordering Information

Product Model	Port Interface		Housing Material	Power Range
	Standard Temperature (-10 to 60°C)	100BaseFX		
10/100BaseT(X)		Multi-Mode, SC Connector	Multi-Mode, ST Connector	
EDS-205A/208A Series				
EDS-205A	5		Aluminum	12/24/48 VDC (9.6 to 60 VDC)
EDS-208A	8		Aluminum	12/24/48 VDC (9.6 to 60 VDC)
EDS-208A-M-SC	7	1	Aluminum	12/24/48 VDC (9.6 to 60 VDC)
EDS-208A-M-ST	7		Aluminum	12/24/48 VDC (9.6 to 60 VDC)

Optional Accessories

- **DR-4524:** 45W/2A DIN-Rail 24 VDC power supply, 85 to 264 VAC input
- **DR-75-24:** 75W/3.2A DIN-Rail 24 VDC power supply, 85 to 264 VAC input
- **DR-120-24:** 120W/5A DIN-Rail 24 VDC power supply, 88 to 132 VAC/176 to 264 VAC input by switch
- **DR-120-48:** 120W/2.5A DIN-Rail 48 VDC power supply with 88 to 132 VAC/176 to 264 VAC input by switch
- **WK-46:** Wall mounting kit
- **RK-4U:** 4U-high 19" rack mounting kit