

SFP-1G Series

1G-port Gigabit Ethernet SFP modules



- > Compliant with IEEE 802.3z
- > Differential LVPECL inputs and outputs
- > Single 3.3 V power supply
- > TTL signal detect indicator
- > Hot pluggable
- > Class 1 laser product, complies with EN60825-1

The certification logos shown here apply to some or all of the products in this section. For details, see "Regulatory Approvals" under "Specifications" below.



3

Managed Ethernet Switches > SFP-1G Series

Specifications

Optical Fiber

	Gigabit Ethernet											
	SFP-SX	SFP-LSX	SFP-LX	SFP-LHX	SFP-ZX	SFP-EZX	SFP-10A	SFP-10B	SFP-20A	SFP-20B	SFP-40A	SFP-40B
Wave-length	850 nm	1310 nm	1310 nm	1310 nm	1550 nm	1550 nm	TX 1310 nm, RX 1550 nm	TX 1550 nm, RX 1310 nm	TX 1310 nm, RX 1550 nm	TX 1550 nm, RX 1310 nm	TX 1310 nm, RX 1550 nm	TX 1550 nm, RX 1310 nm
Max. TX	-4 dBm	-1 dBm	-3 dBm	1 dBm	5 dBm	5 dBm	-3 dBm	-2 dBm	-2 dBm	-2 dBm	2 dBm	2 dBm
Min. TX	-9.5 dBm	-9 dBm	-9.5 dBm	-4 dBm	0 dBm	0 dBm	-9 dBm	-8 dBm	-8 dBm	-8 dBm	-3 dBm	-3 dBm
RX Sensitivity	-18 dBm	-19 dBm	-20 dBm	-24 dBm	24 dBm	-30 dBm	-21 dBm	-23 dBm	-23 dBm	-23 dBm	-23 dBm	-23 dBm
Link Budget	8.5 dB	10 dB	10.5 dB	20 dB	24 dB	30 dB	12 dB	15 dB	15 dB	15 dB	20 dB	20 dB
Typical Distance	550 m ^a 275 m ^b	2 km ^b 1 km ^a	1100 m ^c 550 m ^d 10 km ^e	40 km ^e	80 km ^f	110 km ^f	10 km ^{ef}	10 km ^{ef}	20 km ^{ef}	20 km ^{ef}	40 km ^{ef}	40 km ^{ef}
Saturation	0 dBm	-3 dBm	-3 dBm	-3 dBm	-3 dBm	-3 dBm	-1 dBm	-1 dBm	-1 dBm	-1 dBm	-1 dBm	-1 dBm

- a. 50/125 μm, 400 MHz*km fiber optic cable
- b. 62.5/125 μm, 200 MHz*km fiber optic cable
- c. 50/125 μm, 800 MHz*km fiber optic cable
- d. 62.5/125 μm, 500 MHz*km fiber optic cable
- e. 9/125 μm, 3.5 PS/(nm*km) fiber optic cable
- f. 9/125 μm, 19 PS/(nm*km) fiber optic cable

Interface

Gigabit: 1 port

Connector: Duplex LC Connector or Simplex LC Connector (WDM-type only)

Note: WDM-type SFP modules must be used in pairs (e.g., SFP-1GXXALC and SFP-1GXXBLC)

Environmental Limits

Operating Temperature:

Standard Models: 0 to 60°C (32 to 140°F)

Wide Operating Temp. Models: -40 to 85°C (-40 to 185°F)

Storage Temperature: -40 to 85°C (-40 to 185°F)

Ambient Relative Humidity: 5 to 95% (non-condensing)

Regulatory Approvals

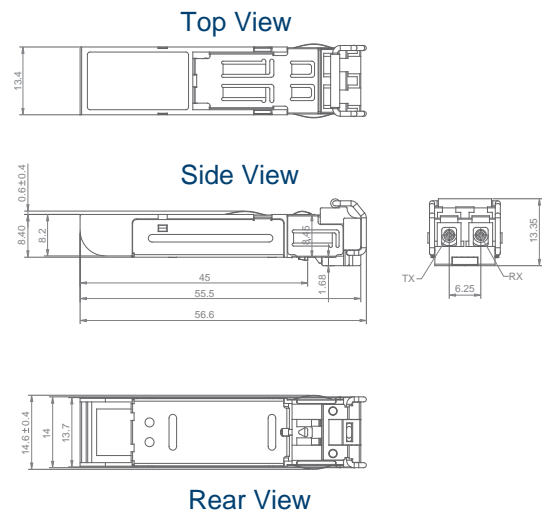
Safety: UL, TÜV

Warranty

Warranty Period: 3 years

Details: See www.moxa.com/warranty

Dimensions (unit = mm)



Ordering Information

SFP Modules

Available Models		Port Interface					
Standard Temperature (0 to 60°C)	Wide Temperature (-40 to 85°C)	1000BaseSX, LC Connector, 0.5 km	1000BaseLSX, LC Connector, 2 km	1000BaseLX, LC Connector, 10 km	1000BaseLHX, LC Connector, 40 km	1000BaseZX, LC Connector, 80 km	1000BaseEZ, LC Connector, 110 km
SFP-1GSXLC	SFP-1GSXLC-T*	1	---	---	---	---	---
SFP-1GLSXLC	SFP-1GLSXLC-T	---	1	---	---	---	---
SFP-1GLXLC	SFP-1GLXLC-T	---	---	1	---	---	---
SFP-1GLHXLC	SFP-1GLHXLC-T	---	---	---	1	---	---
SFP-1GZXLC	SFP-1GZXLC-T	---	---	---	---	1	---
SFP-1GEZLC	---	---	---	---	---	---	1

Note: SFP-1GSXLC-T: -20 to 75°C operating temperature

WDM-type (BiDi) SFP Modules

Available Models		Port Interface					
Standard Temperature (0 to 60°C)	Wide Temperature (-40 to 85°C)	1000BaseSFP, LC Connector, 10 km		1000BaseSFP, LC Connector, 20 km		1000BaseSFP, LC Connector, 40 km	
		TX 1310 nm, RX 1550 nm	TX 1550 nm, RX 1310 nm	TX 1310 nm, RX 1550 nm	TX 1550 nm, RX 1310 nm	TX 1310 nm, RX 1550 nm	TX 1550 nm, RX 1310 nm
SFP-1G10ALC	SFP-1G10ALC-T	1	---	---	---	---	---
SFP-1G10BLC	SFP-1G10BLC-T	---	1	---	---	---	---
SFP-1G20ALC	SFP-1G20ALC-T	---	---	1	---	---	---
SFP-1G20BLC	SFP-1G20BLC-T	---	---	---	1	---	---
SFP-1G40ALC	SFP-1G40ALC-T	---	---	---	---	1	---
SFP-1G40BLC	SFP-1G40BLC-T	---	---	---	---	---	1

The SFP-1G series modules can be used with the following products

EDS-728/828 series: IM-2GSFP series Gigabit Ethernet interface modules

EDS-G509 series: 9G-port full Gigabit managed Ethernet switches

EDS-518A series: 16+2G-port Gigabit managed Ethernet switches

EDS-510A series: 7+3G-port Gigabit managed Ethernet switches

EDS-P510 series: 7+3G-port Gigabit PoE managed Ethernet switches

PT and IKS series: PM-7200-2G/4G series Gigabit Ethernet interface modules

EDS-G308 series: 8G-port full Gigabit unmanaged Ethernet switches

IMC-101G series: Industrial Gigabit media converters