

# VPort 25 Series

**IP66, day-and-night vandal-proof fixed dome IP camera for outdoors**



- > -40 to 50°C operating temperature; heater or fan not required
- > IP66-rated for protection from rain and dust
- > Direct-wired power input and PoE for power redundancy
- > Up to 30 frames/sec at 720 x 480 resolution
- > One camera lens for both day and night use



## Introduction

The VPort 25 is a vandal-proof, IP66-rated, fixed dome IP camera for use in harsh, outdoor environments. With maximum resolution of 520 TVL and day-and-night CCD camera lens, the VPort 25 is especially well-suited for high performance video surveillance applications. To meet the outdoor environment requirements, the VPort 25 is IP66-rated

to protect it against dust and rain. In addition, the vandal-proof form factor design prevents damage from unexpected external forces, and the case-open sensor sends an alarm message when the VPort 25's outer case is opened.

## Heater and fan not required, supports direct-wired power input and PoE for power redundancy

The VPort 25's no-heater/fan-less embedded system provides greater reliability for outdoor use. In addition, the camera comes with

redundant power inputs: (1) direct power connection (12/24 VDC and 24 VAC) and (2) PoE (IEEE 802.3af) power input.

## High performance video, with full motion MJPEG/MPEG4 video stream

The VPort 25 uses the ASIC compression chip, which provides video performance up to full D1 (720 x 480) @ 30 FPS. To meet a wider

range of customer requirements, the VPort 25 supports dual-codecs, including the MJPEG and MPEG4 algorithms.

## Specifications

### Camera

**Sensor:** 1/3" Sony Super HAD or 1/3" Sony ExView

**Lens:** Wide-end: F1.4, diagonal 115.4°, horizontal 90.3°

Tele-end: F2.4, diagonal 39.8°, horizontal 31.9°

Focal length: F= 3-9 mm

**Modulation:** NTSC or PAL

**Camera Angle:** Pan: ±180°; tilt: ±85°, rotation: ±170° (manual control)

**Illumination:** Color: 0.2 Lux at F1.2

Black and white: 0.03 Lux at F1.2

**Synchronization:** Internal

**Gamma Correction:** 0.45

**White Balance:** Auto tracking white balance

**Electronic Shutter Speed:** Auto: 1/60 (50) second to 1/100,000 second

**S/N Ratio:** More than 50 dB (AGC off)

**AGC Control:** On/Off

**Flickerless Control:** On/Off

**Backlight Compensation:** On/Off

**Mirror:** On/Off

**Auto Exposure, Auto Iris:** On: Auto exposure  
Off: Auto iris

### Video

**Video Compression:** MJPEG or MPEG4 (ISO/IEC 14496-2)

**Video Resolution:**

	NTSC		PAL	
	Size	Max. FPS	Size	Max. FPS
<b>QVGA</b>	320 x 240	30	320 x 288	25
<b>CIF</b>	352 x 240	30	352 x 288	25
<b>VGA</b>	640 x 480	30	640 x 576	25
<b>4CIF</b>	704 x 480	30	704 x 576	25
<b>Full D1</b>	720 x 480	30	720 x 576	25

### Video Viewing:

- Adjustable image size and quality
- Timestamp and text overlay

**Video Output:** Via Ethernet port or BNC connector (1.0 Vpp, 75 ohms)

### Audio

**Audio Input:** 1 Line-in or MIC-in with 2-pin terminal block connector

**Audio Output:** 1 Line-out with 2-pin terminal block connector

**Network**

**Protocols:** TCP, UDP, HTTP, SMTP, FTP, Telnet, NTP, DNS, DHCP, UPnP, RTP, RTSP, ICMP, IGMPv3, SNMPv1/v2c/v3, DDNS

**Ethernet:** 1 10/100BaseT(X) auto negotiating RJ45 port

**GPIO**

**Digital Input:** 1, max. 8 mA  
 “High”: +13 to +30V  
 “Low”: -30 to +3V

**Relay Output:** 1, max. 24 VDC @ 1A

**LED Indicators**

**Network:** 1 LED for 10 Mbps, 1 LED for 100 Mbps

**Power:** Power On/Off

**STAT:** Indicates if the system booted properly

**DIP Switch:** To turn the LED light On/Off

**Power Requirements**

**Input Voltage:** Redundant power inputs

- 12/24 VDC or 24 VAC with 2-pin terminal block connector
- Power-over-Ethernet (IEEE 802.3af)

**Physical Characteristics**

**Casing:** IP66-rated for rain and dust protection, vandal-proof supports

**Dimensions (ø x H):** 142 x 118.9 mm (5.60 x 4.68 in.)

**Weight:** 1100 g

**Installation:** Surface mounting, wall mounting

**Environmental Limits**

**Operating Temperature:** -40 to 50°C (-40 to 122°F)

**Storage Temperature:** -40 to 85°C (-40 to 185°F)

**Ambient Relative Humidity:** 5 to 95% (non-condensing)

**Regulatory Approvals**

**Safety:** UL508 (Pending)

**EMI:** FCC Part 15, CISPR (EN55022) class A

**EMS:** EN61000-4-2 (ESD), level 2

EN61000-4-3 (RS), level 3

EN61000-4-4 (EFT), level 3

EN61000-4-5 (Surge), level 3

EN61000-4-6 (CS), level 3

EN61000-4-12 (Oscillatory wave immunity), level 3

**Shock:** IEC 60068-2-27

**Freefall:** IEC 60068-2-32

**Vibration:** IEC 60068-2-6

**Warranty**

1 year (see [www.moxa.com/warranty](http://www.moxa.com/warranty) for details)

**Alarm Features**

- Video motion detection with sensitivity tuning
- Video loss alarm
- Built-in case-open sensor alarm
- Daily repeat timing schedule
- JPEG snapshots for pre/trigger/post alarm images
- HTTP event servers for setting customized alarm actions

**Security**

- User level password protection
- IP address filtering

**System Requirements**

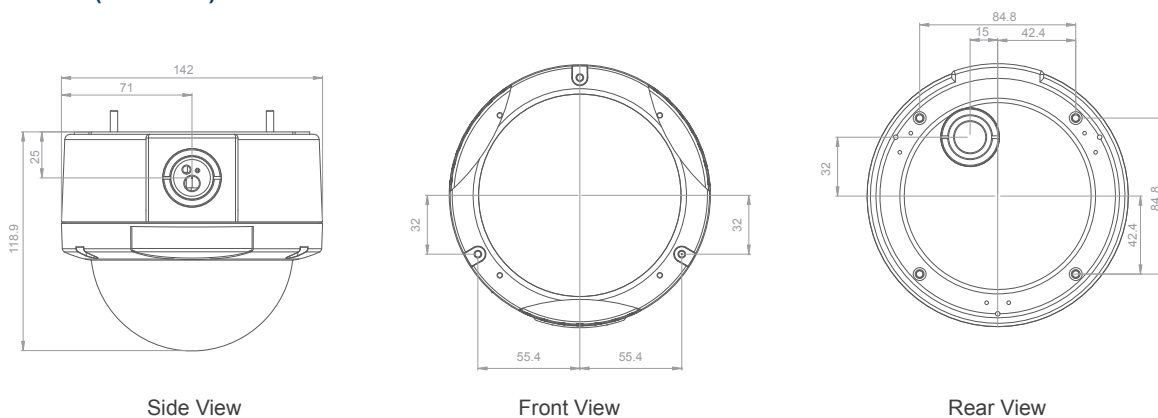
- Pentium 4, 2.4 GHz or above
- 512 MB memory or above
- Windows XP/2000 with SP2 or above
- Internet Explorer 6.x or above
- DirectX 9.0c or above

**Software Bundled Free**

**SoftDVR™ Lite:** 1- to 4-ch IP surveillance software for viewing and recording

**VPort SDK PLUS:** Includes CGI commands and ActiveX Control for customized application or system integration for third-party developer (Please go to Moxa’s website to download the latest SDK version.)

**Dimensions (unit = mm)**



**Ordering Information**

Product Model	Camera Sensor		Modulation	
	SuperHAD	Exview	NTSC	PAL
VPort 25-CAM3S52N	√		√	
VPort 25-CAM3S52P	√			√
VPort 25-CAM3E52N		√	√	
VPort 25-CAM3E52P		√		√

