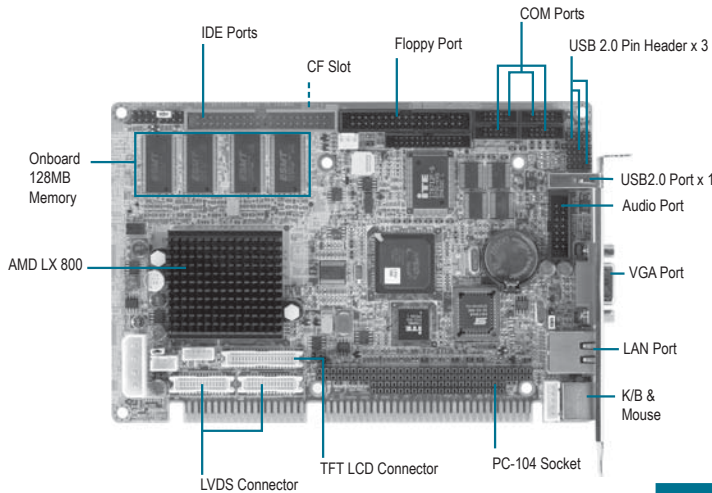


AMD LX800 ISA Half-size SBC

02

Half-size SBCs - ISA



Features

- **AMD LX800 Processor**
- **On Board 128MB DDR400 Memory**
- **Integrated 2D/3D Graphics Accelerator, VGA Support CRT/TFT**
- **10/100/1000Base-TX Ethernet x 1 (10/100 & GbE Optional)**
- **USB 2.0 x 4/ RS-232 x 3; RS-232/422/485 x 1/ Parallel x 1/ IrDA Port x 1**
- **Ultra ATA 33 x 1**
- **Digital I/O; AC97; PC/104**
- **CompactFlash™ Type II Socket**
- **Watchdog Function 1~255 Sec.**



Specifications

System	
Form Factor	ISA
Processor	AMD LX800
System Memory	On board 128MB DDR400 Memory
Chipset	AMD LX800 + CS 5536
Ethernet	PCI 10/100Mb or 10/100/1000Mb LAN x 1 (optional), RJ-45 x 1 , Realtek 8100C/8110S controller optional
BIOS	Award Plug & Play FWH BIOS – 8Mb ROM
IDE Interface	ATA-33 x 1 channel
SSD	CFD Type II Connector x 1
Expansion Interface	ISA / PC-104
Watchdog Timer	1~255 step, can be set with software on Super I/O
RTC	Internal RTC
Battery	Lithium Battery
Power Requirement	AT 5V , 12V
Operating Temperature	0°C ~ 60°C
Board Size	7.3" (L) x 4.8" (W) (185 mm x 121 mm)
Gross Weight	0.71 lb (0.3 kg)
MTBF (Hours)	—
Power Consumption (Typical)	—
Display	
Supports CRT and LCD simultaneous display	
VGA Controller	LX800
Memory	Shared memory up to 16M
Resolutions	16001200@32bpp at 100MHz for CRT 16001200@24bpp for LCD
LCD Interface	Up to 24 bit, LVDS/TTL LCD Support
I/O	
CS 5536	
Serial Port	COM port x 4: (Internal Pin Header x 4) COM 1, COM 3, COM 4: RS-232 COM 2: RS-232/422/485
Parallel Port	Supports SPP/ EPP/ ECP mode
Universal Serial Bus	USB 2.0 port x 4 5 x 1 pin header x 3 Type A Connector x 1
Floppy Drive Interface	Standard FDD port x 1, support up to one floppy devices
Keyboard and Mouse	Mini-DIN PS/2 K/B and Mouse connector x 1 Internal keyboard pin header x 1
IrDA	Supports One IrDA header
Audio	Realtek ALC203 AC97 Codec / MIC-in / Line-in / Line-out / CD-in

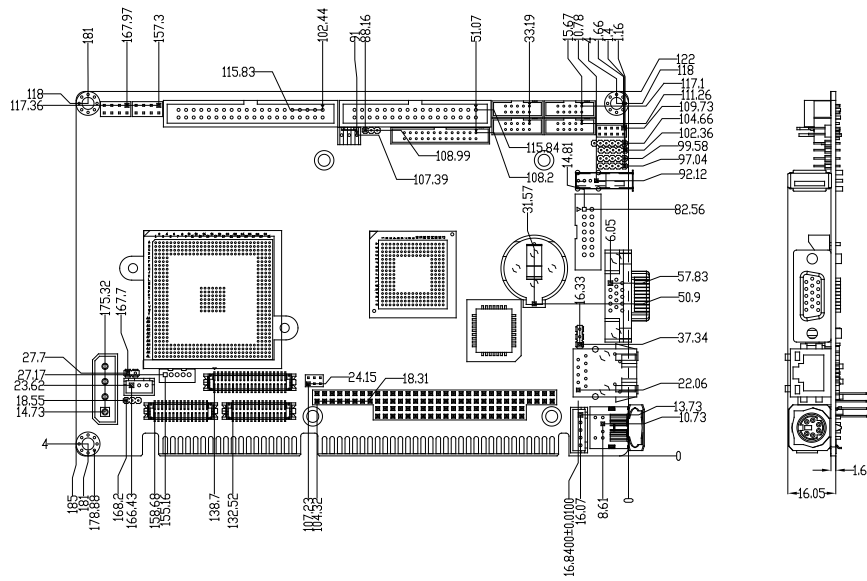
Packing List

- **1701340704**
Flat Cable, 34P, 70cm, GRAY for FDD
- **1701400453**
Cable, 40P 2.54mm IDC W/Nose W/Fold, 40P 2.54mm IDC W/Nose W/Fold, 45cm, Blue ATA-100
- **1700060192**
Cable, 6P-6P-6P, 19cm, IVORY PS2/KB&Mouse
- **1709140302**
Cable, Phone Jack x 3, to 14P, 2.54mm Housing, DB9P(M) 10P 2.0mm IDC, 4P 2.54mm Housing, 30 cm W/BRACKET
- **1701200301**
Flat Cable, 9P DB9P MALE, 10P 2.0mm Pitch x 2, 30cm, IDC No Fold, W/BRACKET
- **170910020A**
USB Cable, 22cm 2.54mm, W/Bracket
- **1703030501**
Wire, 3P 2.5mm Housing, 3P 2.5mm Housing, 50cm
- **1701010302**
Flat Cable, 1S/1P, D-SUB W/BRACKET 26-25 10-9 2P
- **Quick Installation Guide**
- **Utility CD**
- **HSB-8001**

Ordering Information

- **TF-HSB-8001-A10-VE**
Half-Size ISA CPU Card, AMD LX800,VGA,1 LAN, 4 USB, CF, PC/104, Digital I/O, AC97, AT, Rev.A1.0
- **TF-HSB-8001-A10-VG**
Half-Size ISA CPU Card, AMD LX800,VGA,1 Gbe, 4 USB, CF, PC/104, Digital I/O, AC97, AT, Rev.A1.0

Dimension Unit: mm



Passive Backplane Options

P/N	Description	Master Interface	Slots (PCI/ISA/PICMG)	Power Connector, ATX Extend Function
TF-BP-204SI-A13	Wallmount, ISA 4-slot Backplane, 4 ISA Single Segment, AT, Rev.A1.3	ISA	(0/4/0)	AT
TF-BP-206SI-A11	Wallmount, ISA 6-slot Backplane, 6 ISA Single Segment, AT/ATX, Rev.A1.1	ISA	(0/6/0)	AT/ATX
BP-208SI-A00	Wallmount, ISA 8-slot Backplane, 8 ISA Single Segment, AT, Rev.A0.0	ISA	(0/8/0)	AT
BP-214SI-V61	Wallmount, ISA 14-slot Backplane, 14 ISA Single Segment, AT, Rev.A0.0	ISA	(0/14/0)	AT