

# SPL-24 Series

## IEEE 802.3af PoE splitter



- > IEEE 802.3af compliant, splits power and data from PoE equipment
- > Supports output power up to 12.95 W at 24 VDC
- > Short circuit protection for power output
- > Auto disconnection if power input voltage is too high
- > -40 to 75°C operating temperature range (T models)
- > DIN-Rail mounting ability

The certification logos shown here apply to some or all of the products in this section. Please see the **Specifications** section or Moxa's website for details.



3

Industrial Ethernet Infrastructure > SPL-24 Series

### Specifications

#### Technology

Standards: IEEE 802.3af

#### Interface

RJ45 Ports: 10/100BaseT(X) for PoE IN and DATA OUT

LED Indicators: Power

#### Power Requirements

Input Voltage: 44 to 75 VDC

Output Voltage: 24 VDC

Output Power: 12.95W (0.54A @ 24 VDC)

Connection: Removable 3-pin terminal block for output

Overload Current Protection: 400 mA (@ 48 VDC input)

Efficiency: 85% (at 25°C, fully loaded)

#### Physical Characteristics

Housing: Plastic, IP30 protection

Dimensions (W x H x D): 24.87 × 109 × 88 mm (0.98 x 4.29 x 3.46 in)

Weight: 95 g

Installation: DIN-Rail mounting

#### Environmental Limits

Operating Temperature: 0 to 60°C (32 to 140°F)  
-40 to 75°C (-40 to 167°F) for T model

Storage Temperature: -40 to 85°C (-40 to 185°F)

Ambient Relative Humidity: 5 to 95% (non-condensing)

#### Regulatory Approvals

Safety: UL508 (Pending)

Hazardous Location:

UL/cUL Class I, Division 2, Groups A, B, C, and D (Pending);

ATEX Class I, Zone 2, Ex nC IIC (Pending)

EMI: FCC Part 15, CISPR (EN55022) class A

EMS: EN61000-4-2 (ESD), level 3

EN61000-4-3 (RS), level 3

EN61000-4-4 (EFT), level 3

EN61000-4-5 (Surge), level 3

EN61000-4-6 (CS), level 3

EN61000-4-8

EN61000-4-11

Shock: IEC60068-2-27

Freefall: IEC60068-2-32

Vibration: IEC60068-2-6

MTBF: 5,100,000 hrs

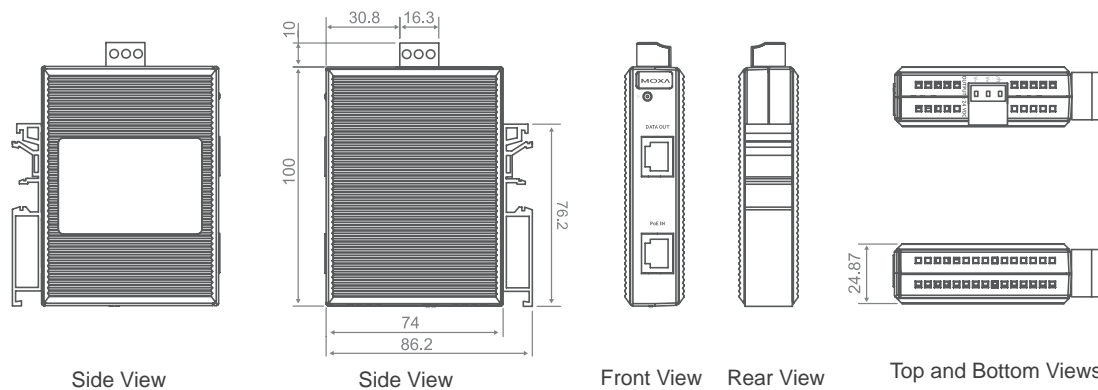
Database: MIL-HDBK-217F, GB 25°C

\*Please check Moxa's website for the most up-to-date certification status.

#### Warranty

5 years (see [www.moxa.com/warranty](http://www.moxa.com/warranty) for details)

#### Dimensions (unit = mm)



### Ordering Information

- **SPL-24:** PoE splitter, maximum output of 12.95W at 24 VDC, 0 to 60°C
- **SPL-24-T:** PoE splitter, maximum output of 12.95W at 24 VDC, -40 to 75°C