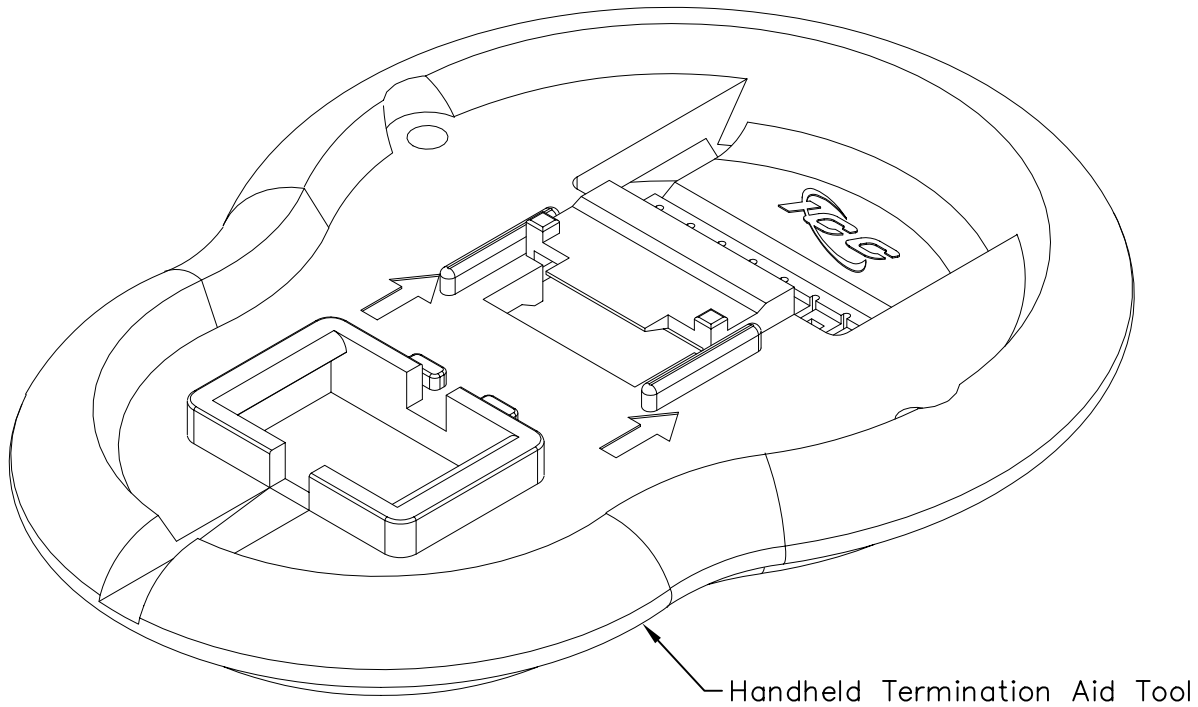


Handheld Termination Aid Tool

PRODUCT SPECIFICATION


Package includes:

- A. Handheld Termination Aid Tool, 1 pc
- B. Instructions, 1 sheet

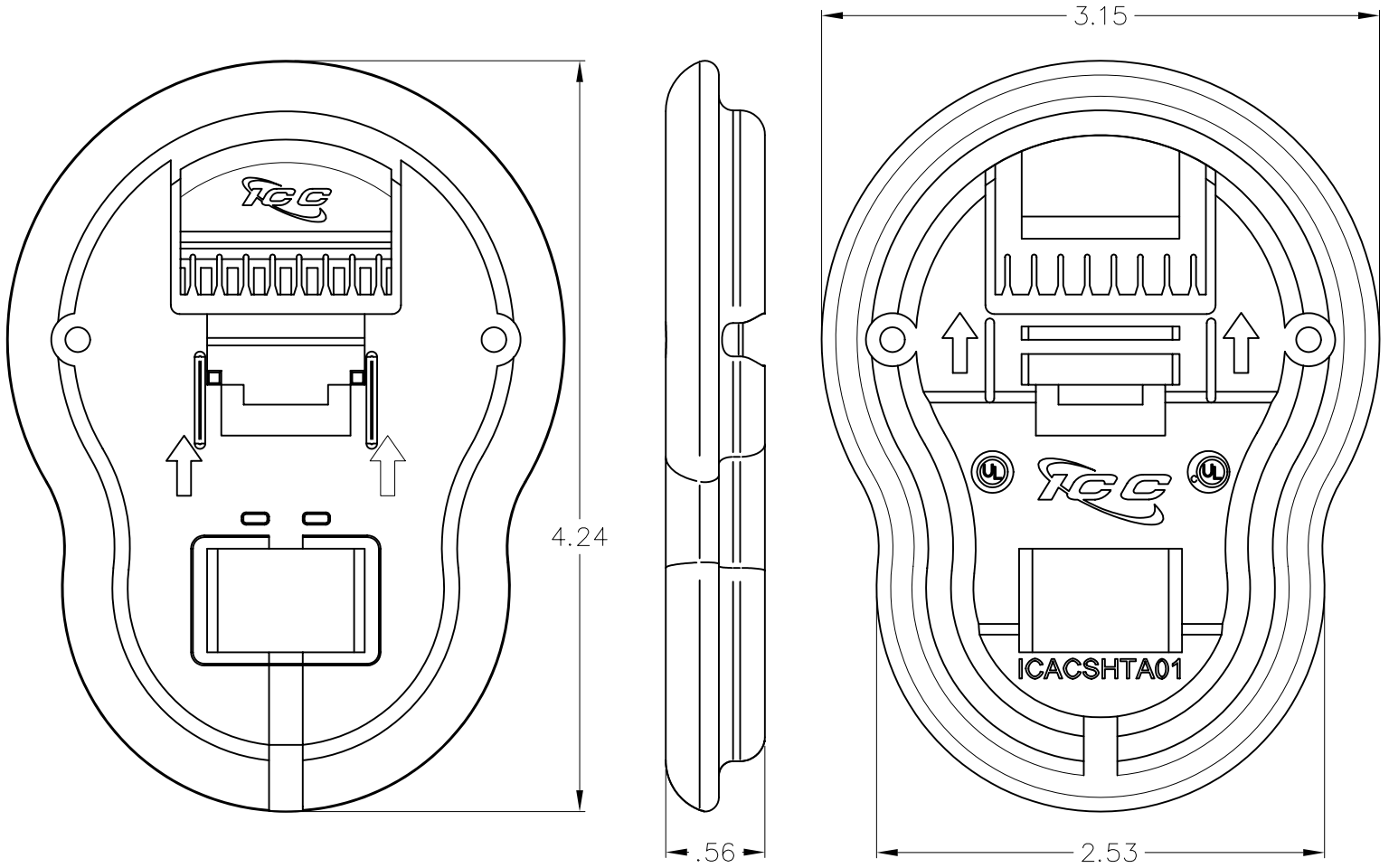


Features and Benefits:

- Designed to provide a base for fast, reliable termination and reduce the effort required for terminations
- Prevents modules or plugs from slipping out of hands, or off the work surface, prior to termination
- Used with all IC107 CAT 6, CAT 5e, voice modules, and ICMP110 patch plugs
- Instructions #MSR-0278 included
- UL listed

TOOL, HANDHELD TERMINATION AID			 <i>PremiumProducts</i> <i>ProvenPerformance</i> <i>CompetitivePrices</i>	
ITEM NO.	ICACSHTA01	REV.		A
DWG NO.	PSACSHTA01	PAGE NO.		1


CUSTOMER CARE / TECHNICAL SUPPORT * CSR@ICC.COM / 888-ASK-4-ICC (275-4422) * 14700 Alondra Blvd., La Mirada, CA 90638 * www.icc.com



NOTE: UNLESS OTHERWISE SPECIFIED

1. MATERIAL: ABS, UL 94V-0
2. SURFACE FINISH: MATTED
2. COLOR: RED

UL US FILE NO. 125268

TOOL, HANDHELD TERMINATION AID		 <i>PremiumProducts</i> <i>ProvenPerformance</i> <i>CompetitivePrices</i>	
ITEM NO.	ICACSHTA01		REV. A
DWG NO.	PSACSHTA01		PAGE NO. 2

CUSTOMER CARE / TECHNICAL SUPPORT * CSR@ICC.COM / 888-ASK-4-ICC (275-4422) * 14700 Alondra Blvd., La Mirada, CA 90638 * www.icc.com