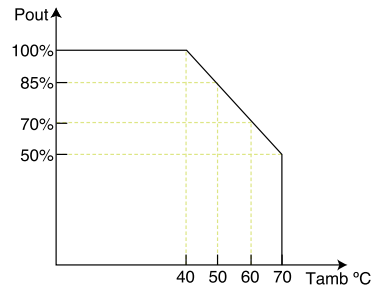


ACE-723C/T 200W 24V/48V DC input AT Power Supply



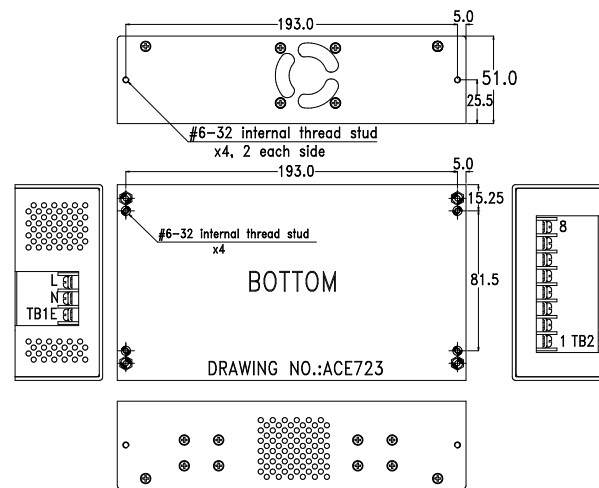
Safety



Dimension

Specification

Input Voltage	ACE-723C: 19 ~ 30VDC ACE-723T: -36 ~ -72VDC
Input Current	ACE-723C: 16A (RMS) for 24VDC ACE-723T: 8A (RMS) for -48VDC
Output Voltage	Voltage Min. load Max. load Ripple & Noise
	+5V 3A 22A 100mV
	+12V 0A 6A 100mV
	-5V 0A 1A 100mV
-12V 0A 1A 100mV	
Overload protection	+5V output ±1% +12V output ±4% -12V output ±1% -5V output ±1%
Temperature	Operating : -20°C ~ 70°C (40 ~ 70°C derating curve) Storage : -20°C ~ 85°C
Efficiency	ACE-723C: 70% ACE-723T: 75%
Input protection	Protection against wrong polarity if -48V volts inverse by mistake.
Thermal protection	Thermal protection use build in 110 ±5°C thermal switch in HS1.
Vibration	10 ~ 55Hz at 2G 3minutes period, 30 minutes along X, Y and Z axis.
Impact	10G for 20ms once on each X, Y and Z axis.
MTBF(hrs)	ACE-723C: 138,000 ACE-723T: 174,000
Dimension	203 x 112 x 51 mm
Output connector	Optional Cable



AC connector Howder: HD-131-3P (or Equivalent)

Pin 1	Pin 2	Pin 3
E	N	L

Output connector Howder: FTB-802-8P (or Equivalent)

Pin 1, 2	Pin 3, 4	Pin 5	Pin 6	Pin 7	Pin 8
----------	----------	-------	-------	-------	-------

Ordering Information

- **ACE-723C-RS**
200W 24V DC input AT Power Supply
- **ACE-723T-RS**
200W 48V DC input AT Power Supply

Optional 1 Embedded Solution



PN: CB-716EB-RS
DC cable to CPU card, w/4pin 12V CPU/HDD/ S-ATA connector, 30cm

Optional 2 Backplane Solution



PN: CB-716BP-RS
DC cable to backplane, w/20pin ATX/HDD/ S-ATA connector, 30cm