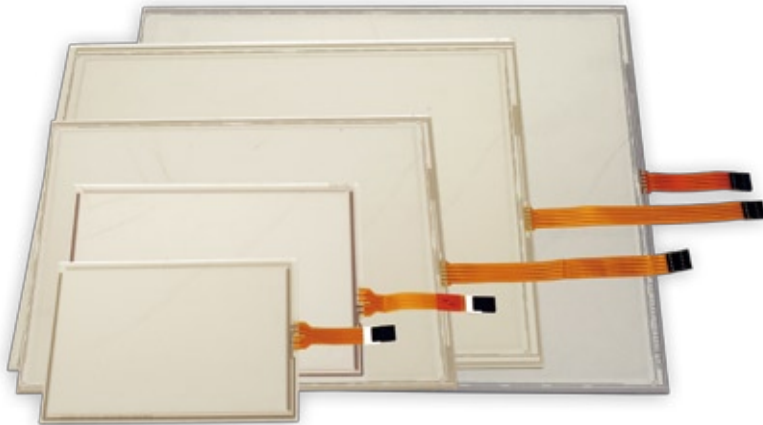


Touch Screen Series



6.5" ~ 19" Resistive LCD Touch Screen Kits



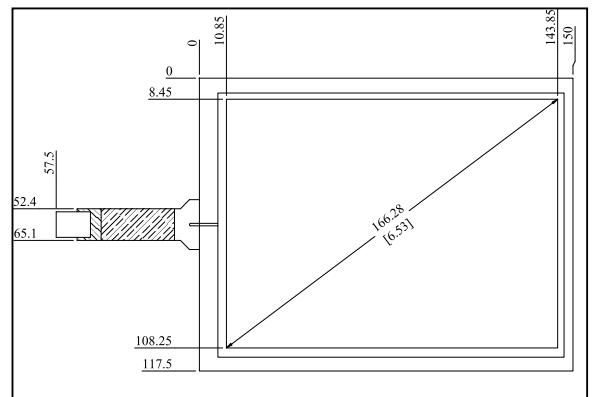
Features

- Optical clarity: Total transmission 78 % or more
- Input through a special stylus or finger 100g or less.
- High reliability and durability in the field

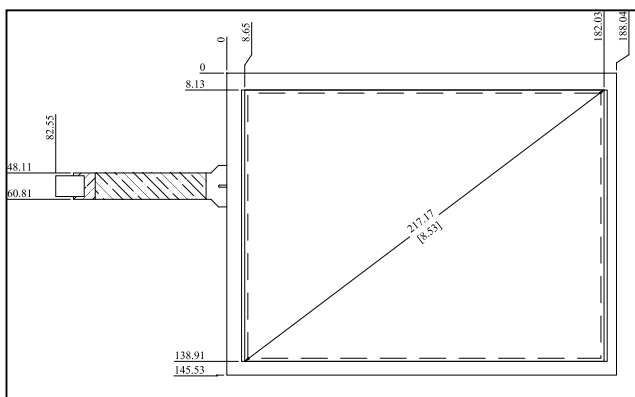
Ordering information

| Touch Screen Kit | | IEI Products | Sensor |
|------------------|-------------|----------------------------------|--------|
| RS-232 | USB | | |
| T-R065G | - | DM-65GS, LCD-KIT65G | 4-Wire |
| T-R084G | - | DM-84GS, ISDM-84G, LCD-KIT84G | 4-Wire |
| T-R104G | T-R104G-USB | DM-104GS, ISDM-104G, LCD-KIT104G | 5-Wire |
| T-R121G | T-R121G-USB | DM-121GS, ISDM-121G, LCD-KIT121G | 5-Wire |
| T-R150G | T-R150G-USB | DM-150GS, ISDM-150G, LCD-KIT150G | 5-Wire |
| T-R170G | T-R170G-USB | DM-170GS, ISDM-170G, LCD-KIT170G | 5-Wire |
| T-R190G | T-R190G-USB | DM-190GS, ISDM-190G, LCD-KIT190G | 5-Wire |

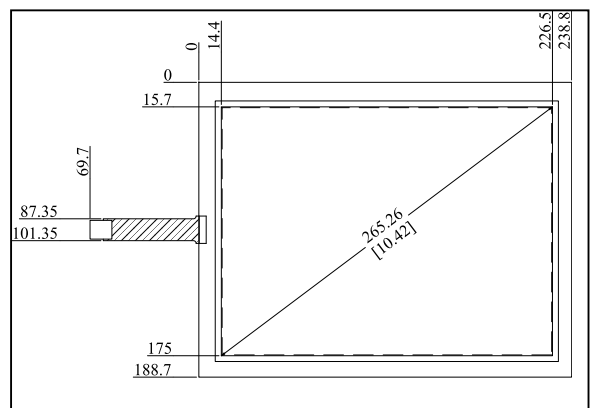
T-R065G



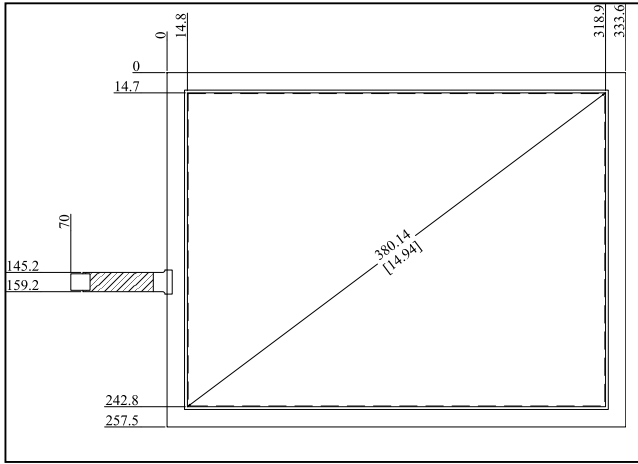
T-R084G



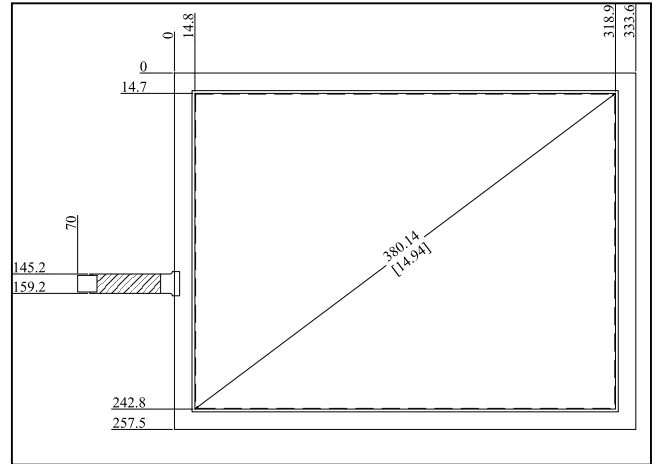
T-R104G



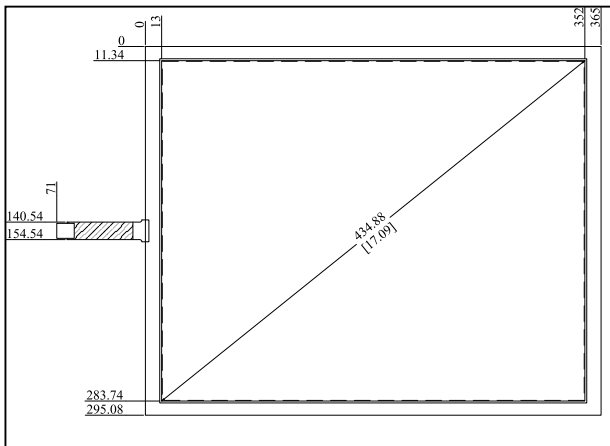
T-R121G



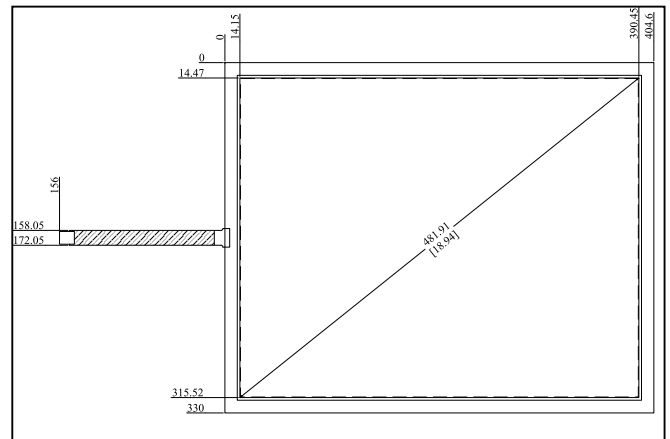
T-R150G



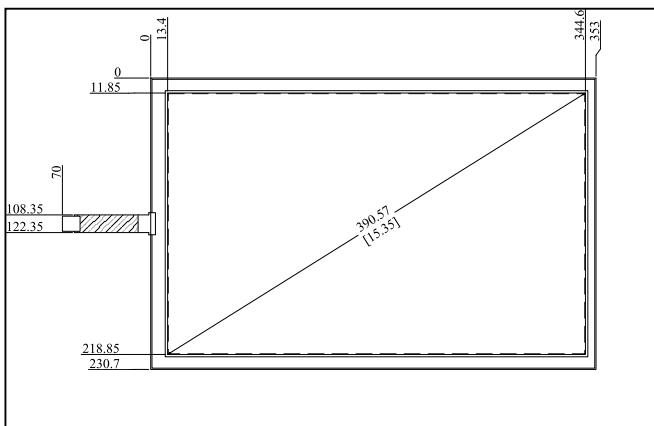
T-R170G



T-R190G



T-RW154G



T-RW190G

