

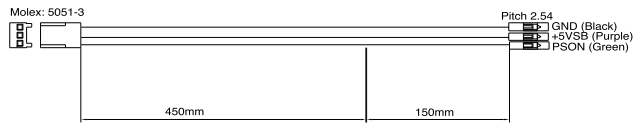
# ACE-728APM 280W Medical Type ATX Power Supply with PFC



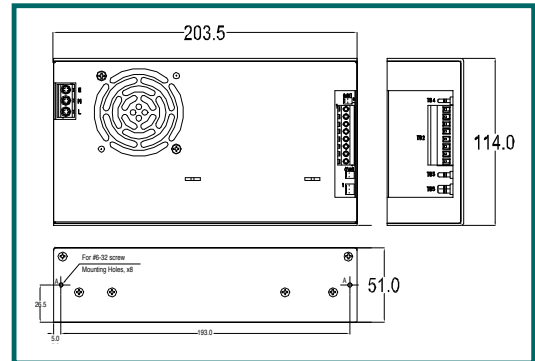
**Medical**



## For Power ON, +5Vsb Cable



Input Type	85 ~ 264VAC Full Range					
Output Voltage	+3.3V	+5V 28A (2A min)	+12V 10A (0.5 min)	-5V	-12V 1A	+5Vsb 1A
Efficiency	82%					
Temperature	Operating : 0 ~ 70°C (50 ~ 70°C derating curve) Storage : -20 ~ 85°C					
MTBF(hrs)	100,000					
Output Connector	+5Vsb & PS on cable					
Dimension	203 x 114 x 51 mm					



## Ordering Information

- **ACE-728APM-RS**  
280W AC-DC ATX Power Supply with PFC, meet Medical standard

# ACE-723A/B 200W AC-DC AT Power Supply



Input Type	85 ~ 135VAC, 180 ~ 265VAC Auto Range				
Output Voltage	+5V	+12V	-5V	-12V	+24V
ACE-723A	22A (3A min)	6A	1A	1A	
ACE-723B	21A (3A min)	5A		1A	1A
Efficiency	75%				
Temperature	Operating : -20 ~ 70°C (40 ~ 70°C derating curve) Storage : -20 ~ 85°C				
MTBF(hrs)	150,000 (ACE-723A) , 148,000 (ACE-723B)				
Output Connector	Optional Cable				
Dimension	203 x 112 x 51 mm				



## Optional 1 AC Input Solution



**PN: CB-643EC-RS**  
AC input cable, w/ I/O connector / fuse, 20cm

## Optional 2 Embedded Solution

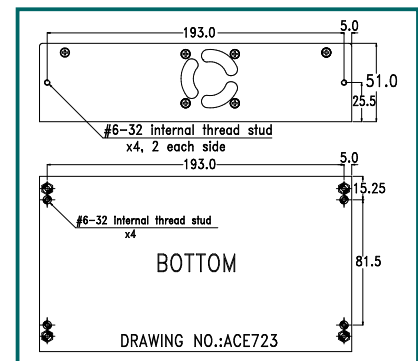


**PN: CB-716EB-RS**  
DC cable to CPU card, w/4pin 12V CPU/ HDD/ S-ATA connector, 30cm

## Optional 3 Backplane Solution



**PN: CB-716BP-RS**  
DC cable to backplane, w/20pin ATX/ HDD/ S-ATA connector, 30cm



## Ordering Information

- **ACE-723A-RS**  
200W AC-DC AT Power Supply
- **ACE-723B-RS**  
200W AC-DC AT Power Supply, with +24V output