

Open Frame LCD MONITOR

Model: **FBT-08420**



Features

- * RoHS compliant, meet UL, CSA, TUV, FCC B, VCCI B, CE, TCO 99, TUV Ergo, EPA Energy Star certification
- * Kiosks, equipment, and instruments drop-in design
- * Friendly design on various location options of OSD keys
- * Superior viewing angles, contrast ratio, and brightness
- * Sturdy and ventilation consideration structure

Options

- * Durable Resistive, Capacitive, and Surface Acoustic Wave touchscreen
- * DVI, Composite Video, BNC video outputs
- * Embed Stand-Alone or Network MPEG Players

Touchscreens Available

- FBT-08420TEAR**
5-Wire Resistive RS232 Touch O/F Monitor
- FBT-08420TEARU**
5-Wire Resistive USB Touch O/F Monitor
- FBT-08420TMAC**
Capacitive RS232 Touch O/F Monitor
- FBT-08420TMACU**
Capacitive USB Touch O/F Monitor
- FBT-08420TEAS**
Acoustic Wave RS232 Touch O/F Monitor
- FBT-08420TEASU**
Acoustic Wave USB Touch O/F Monitor

Specifications

LCD Panel

TFT Active Matrix color
8.4 in/ 213.4 mm diagonal viewable
SVGA 800 x 600 resolution (maximum)
0.213 x 0.213 mm pixel pitch
262 thousand displayable colors
220 nit brightness (typical, 80% touch option)
80% brightness uniformity (typical)
500:1 contrast ratio (typical)
35 ms response time (typical at 25°C)
130° (H), 110° (V) viewing angle (typical at CR=10)
20,000 hours MTBF (typical at 25°C)

Power Management

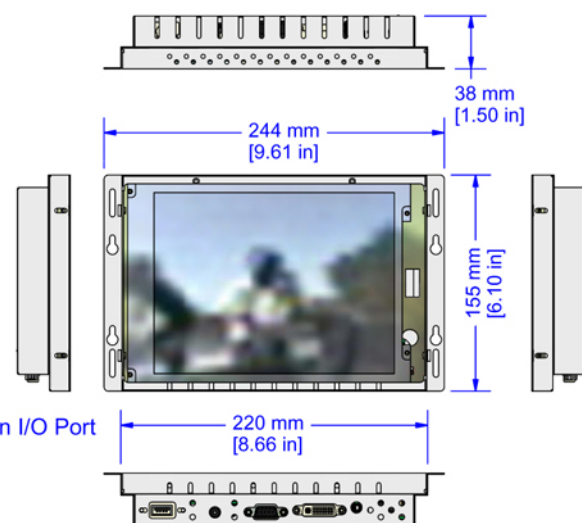
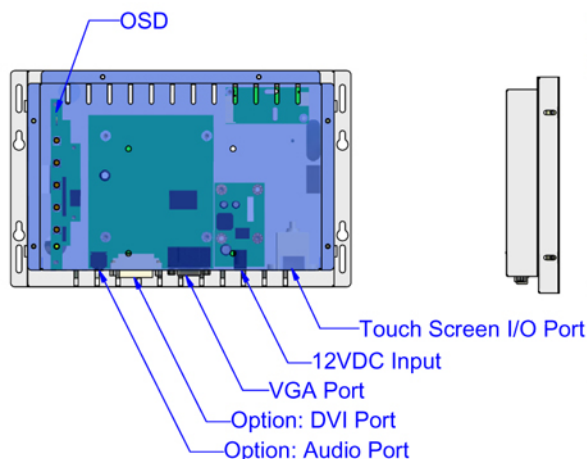
VESA DPMS standard
5W sleep mode, 30W normal mode
12 V/2.92 A, 35 W, Universal Input Adapter

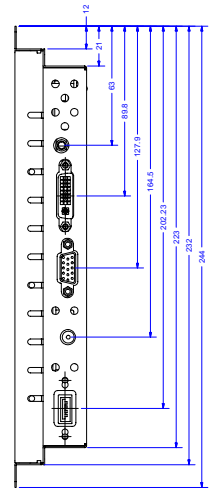
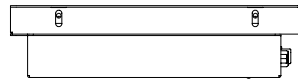
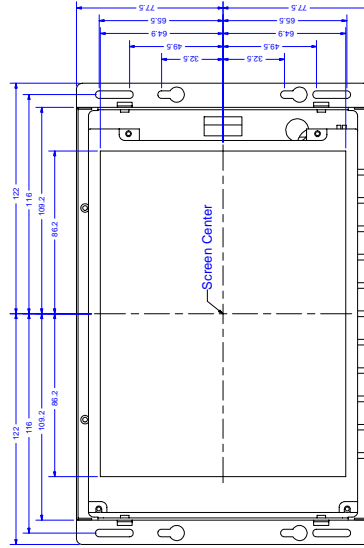
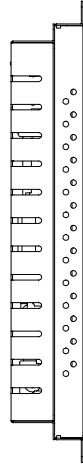
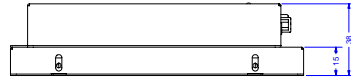
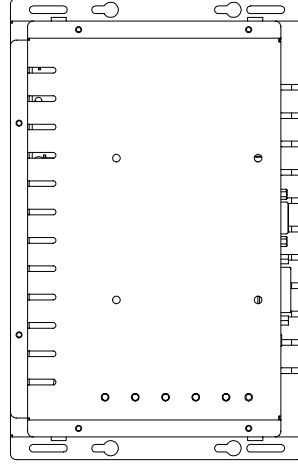
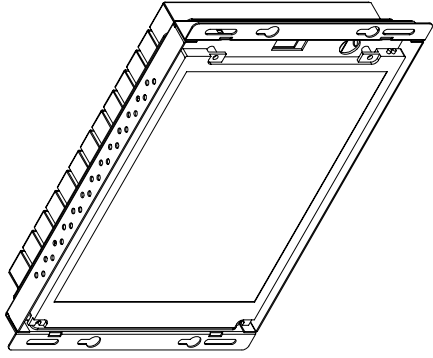
Mechanical and Environment

Operation temperature: 0~50°C [32~122°F]
Storage temperature: -20~60°C [-4~140°F]
Humidity: 85% (maximum)
244 x 155 x 38 mm [9.61 x 6.1 x 1.50 inch]
1 Kg [2.1 Lb]

Video Interface

VGA compatible analog RGB
24-54 kHz horizontal scan
50-90 Hz vertical refresh
On-screen display





REVISED	DATE	BY	CHKD	APP'D	REVISED	DATE	BY	CHKD	APP'D
Company: WU					Checked: [Signature]				
Country: USA					Title: [Signature]				
Part No: 13396203					Drawing No: [Signature]				
Part Name: 8.4" Open Frame					Drawing No: FBT-08420				
Scale: E					Sheet: 1 of 1				
Company: Caltron Industrial, Inc.					Drawing No: FBT-08420				