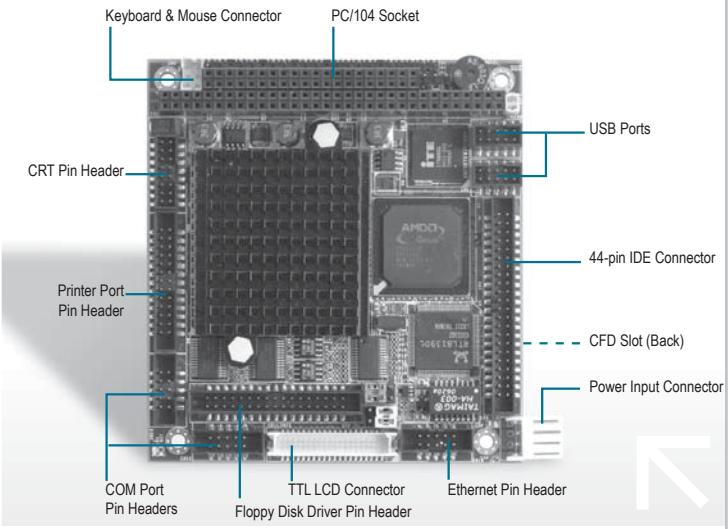


PFM-540I

Computing Platform Service Partner

AMD Geode™ LX Processor



Features

- Onboard AMD Geode™ LX800 Processor
- Supports 18/24-bit TFT LCD Panel
- Supports CF Type I, UDMA 33
- Supports USB 2.0 Port x 4, COM Port x 2 and Parallel Port x 1
- Supports One 10/100Base-TX Ethernet
- Supports +5V/AT Only

Specifications

System	
Form Factor	PC/104
Processor	Onboard AMD LX 800 (500MHz) Processor
System Memory	200-pin DDR SODIMM x 1, Max 1GB for DDR333 and 512MB for DDR400
Chipset	AMD LX 800+ CS5536
I/O Chipset	ITE IT8712F-A
Ethernet	Realtek RTL 8139DL, 10/100Base-TX
BIOS	AWARD 512KB FLASH ROM
Watchdog Timer	Generates a time-out system reset
H/W Status Monitoring	Supports power supply voltages and temperature monitoring
Solid Storage Disk	CompactFlash™ Type I Slot x 1
Expansion Interface	PC/104 socket x 1
Power Requirement	+5V/AT
Power Consumption (Typical)	AMD Geode™ LX 800 (500MHz), DDR333 256MB 0.92 A@5V
Battery	Lithium battery
Board Size	3.55" (L) x 3.775" (W) (90mm x 96mm)
Gross Weight	0.25 lb (0.11 kg)
Operating Temperature	32°F ~ 140°F (0°C ~ 60°C)
Storage Temperature	-40°F ~ 176°F (-40°C ~ 80°C)
Operating Temperature	0% ~ 90% relative humidity, non-condensing
MTBF (Hours)	108,795
Display	
Chipset	AMD LX 800
Memory	Shared system memory up to 254 MB
Resolutions	Up to 1920X1440 @ 32bpp for CRT Up to 1024 x 768 @ 24bpp for LCD
LCD Interface	18/24-bit TTL TFT LCD
I/O	
MIO	EIDE x 1 (UDMA-33 x 1), Keyboard+Mouse x 1, Floppy Disk Drive x 1, RS-232 x 1, RS-232 / 422 / 485 x 1, Parallel x 1
IrDA	One IrDA Tx/Rx header
USB	Two 5x2 pin headers support 4 USB 2.0 ports



Packing List

- **9681540100**
Cable Kit for PFM-540I Cable Kit
- 1701100207** RS-232 Cable x 2
- 1701440350** 44-pin IDE Cable x 1
- 1700060152** Keyboard & Mouse Cable x 1
- 1700100200** LAN Cable x 1
- 1709100201** USB Cable x 1
- 1701260201** Printer Port Cable x 1
- 1701160201** VGA Cable x 1
- 1701340703** Floppy Disk Cable x 1
- **9657666600**
Jumper Cap
- Quick Installation Guide
- Utility CD
- PFM-540I

Ordering Information

- **TF-PFM-540I-A10**
PC/104 Board, AMD LX800 LCD, DDR, LAN, 2 COM, 4 USB, CF, PC/104, AT, Rev A1.0

Optional Accessories

- **TF-PCM-3538T-A10**
TTL to LVDS Transmitter Module Rev.A1.0