

MIC-3761

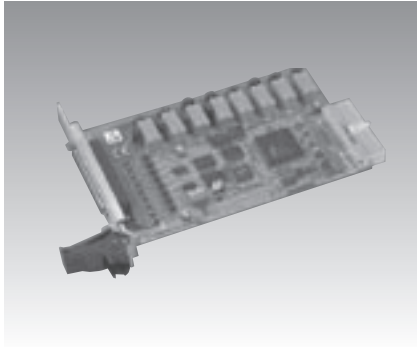
MIC-3780/3780R

MIC-3611/3611R

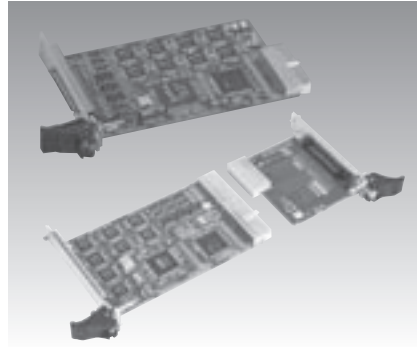
8-ch Relay Actuator and 8-ch Isolated Digital Input Card

8-ch Counter/Timer Cards

4-port RS-422/485 Communication Cards, w/Surge and Isolation Protection

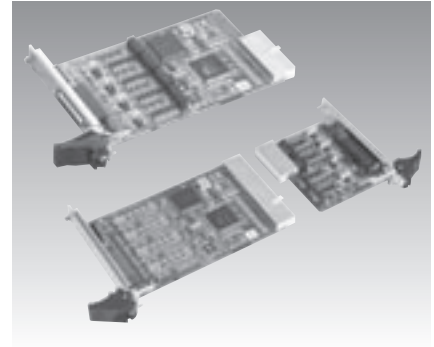


MIC-3761/3



MIC-3780R/3

MIC-3780/3



MIC-3611R/3

MIC-3611/3

Specifications

Isolated Digital Input

- Channels 8
- Input Voltage Logic 0: 3 V max.
Logic 1: 10 V min.
(50 V max.)
- Input Current* 10 V_{DC} 1.6 mA (typical)
12 V_{DC} 1.9 mA (typical)
24 V_{DC} 4.1 mA (typical)
48 V_{DC} 8.5 mA (typical)
50 V_{DC} 8.9 mA (typical)
- Interrupt Capable Ch. ID0 – ID7
- Isolation Protection 3,750 V_{DC}
- Overvoltage Protection 70 V_{DC}
- Opto-Isolator Response 25 µs
- Input Resistance 560 Ω

Relay Output

- Channels 8
- Relay Type SPDT
(4 Form A, and 4 Form C)
- Contact Rating 3 A @ 250 V_{AC} or
3 A @ 24 V_{DC}
- Relay on Time 15 ms max.
- Relay off Time 5 ms max.
- Life Span Mechanical
2 x 10⁷ ops. min.
Electrical
2 x 10⁶ ops. min.
(contact rating)
- Resistance 1 GΩ min. (at 500 V_{DC})

General

- PICMG Compliance CompactPCI V2.0, R 3.0
Hot-Swap V2.1, R 2.0, R 2.1
- Bus Type CompactPCI
- I/O Connectors 1 x 37-pin D-type female
connector
- Dimensions 160 x 100 mm (6.9" x 3.9")
with 3U/6U Bracket
- Power Consumption Typical: +5 V @ 220 mA
Max.: +5 V @ 750 mA
- Certifications CE

Ordering Information

- MIC-3761/3 3U 8-ch Relay Actuator and
8-ch Isolated D/I Card
- PCL-10137-1/2/3 DB-37 cable assembly, 1, 2
and 3 m
- ADAM-3937 DB-37 Wiring Terminal for
DIN-rail Mounting
- PCLD-780 Universal Screw Terminal
Board

Specifications

Counter/Timer

- Channels 8 (independent)
- Resolution 16 bits
- Compatibility 5 V/TTL
- Max. Input Frequency 20 MHz
- Reference Clock Internal: 20 MHz
- Counter Modes 12 (programmable)
- Interrupt Capable Ch. 8

Digital Input

- Channels 8
- Compatibility 5 V/TTL
- Input Voltage Logic 0: 0.8 V max.
Logic 1: 2.4 V min.
- Interrupt Capable Ch. 1 (channel 0)

Digital Output

- Channels 8
- Compatibility 5 V/TTL
- Output Voltage Logic 0: 0.5 V max. @ 24 mA
Logic 1: 2.4 V min. @ -15 mA
- Sink: 0.5 V max. @ 24 mA
- Source: 2.4 V min. @ -15 mA
- Output Capability

General

- PICMG Compliance CompactPCI V2.0, R 3.0
Hot-Swap V2.1, R 2.0
- Bus Type CompactPCI V2.1
- I/O Connectors 68-pin SCSI-II female
160 x 100 mm (6.3" x 3.9")
with 3U/6U Bracket
- Dimensions (L x H)
- Power Consumption Typical: +5 V @ 900 mA
Max: +3.3 V @ 1.2 A
- Operating Temperature 0 ~ 60° C (32 ~ 140° F)
(refer to IEC 68-2-1, 2)
- Storage Temperature -20 ~ 70° C (-4 ~ 158° F)
- Relative Humidity 5 ~ 95 % RH non-condensing
(refer to IEC 68-2-3)
- Certifications CE, FCC Class A

Ordering Information

- MIC-3780/3 3U Compact PCI 8-ch, 16 bit
counter/timer card
- MIC-3780R/3 3U Compact PCI 8-ch, 16 bit
counter/timer card with Rear
I/O support
- PCL-10168 68-pin SCSI-II cable with
male connectors on both
ends and special shielding for
noise reduction,
1 and 2 m
- ADAM-3968 68-pin SCSI-II Wiring
Terminal Board for DIN-rail
mounting

Specifications

Bus Interface Communication Controller

- UART OXFORD 16c954 UART with
128-byte FIFOs
- IRQ All ports use the same IRQ
assigned by PCI
Plug-and-Play
5, 6, 7, 8
- Data Bits none, even, odd
- Stop Bits 1, 1.5, 2
- Parity none, even, odd
- Communication
Controller OXFORD 16c954 UART with
128-byte FIFOs
- Speed 50bps ~ 921.6 Kbps
- Data Signals Tx, Rx, RTS, CTS
(for RS-422/485)
- Connector DB44 connector, Four
RS422/485 DB9 (M)
connectors provided via
included cable
- Surge Protection 2000 V_{DC}
- Isolate Protection 2500 V_{DC}
- Board Dimensions CPCI 3U (160 mm x 100 mm)
- Power Consumption +5 V @ 600 mA
- Operating Temperature 0 ~ 60 °C
- Storage Temperature -20 ~ 80 °C
- Operating Humidity 5 ~ 95% Relative Humidity,
non-condensing
- Certifications CE, FCC

Ordering Information

- MIC-3611/3 4-port RS-422/485 3U
CompactPCI communication
card w/isolation & surge
protection
- MIC-3611R/3 4-port RS-422/485 3U
CompactPCI communication
card w/isolation & surge
protection, Rear IO support