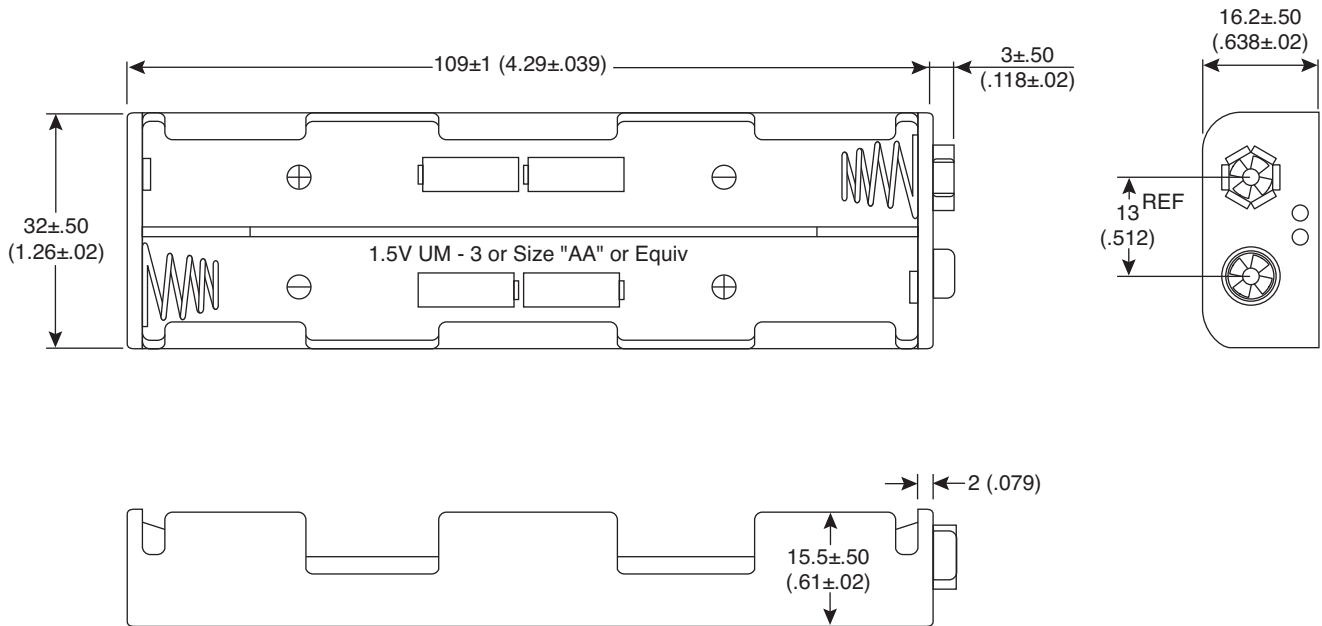


# 4 "AA" Battery Holder with Snaps

12BH344B-GR

Date Last Revised: 11/17/09



DIMENSIONS: mm (in.)

SPECIFICATIONS	
Body Material:	PP Resin, black color
Spring:	0.7mm 65C spring wire
RoHS Compliant	

Available from Mouser Electronics  
1-800-346-6873 / [www.mouser.com](http://www.mouser.com)

EPD-200610