



ETA-USA

HIGH QUALITY SWITCHING POWER SUPPLIES

AC/DC SWITCHING POWER SUPPLY
SINGLE CHANNEL OUTPUT
30 WATTS
UNIVERSAL INPUT

ESS30 SERIES



ES Series

ESS15 15W ESS75 75W
ESS30 30W ESS100 100W
ESS50 50W ESS150 150W
Closed Frame



Application

Broad needs

Input

Input Voltage: AC100~240V
Input Voltage Range: AC85~264V; (DC110~370V)
with 70V derating possibility

Frequency: 50/60Hz
Frequency Range: 47~440 Hz
Phase: Single
Inrush Current: *1 14A at 100V; 28 at 200V

General Description

Features

1. Smaller than competitors by 15-20%
2. Operating temp shows full load at 50° C (122° F), can operate at temperatures up to 71°C
3. Five-year guarantee
4. Over-current protection
5. Over-voltage protection
6. Can meet medical and appliance standards
7. Low leakage < 500µA

Options

DIN Rail available

“-J” Molex connector option



ETA-USA

HIGH QUALITY SWITCHING POWER SUPPLIES

Output Characteristic	Unit	Models						
		ESS30-3.3	ESS30-05	ESS30-12	ESS30-15	ESS30-24	ESS30-36	ESS30-48
Output Voltage	Vdc	3.3	5.0	12	15	24	36	48
Output Current	A	6	6	2.5	2	1.3	0.8	0.65
Ripple & Noise(max)	mVpp	120	120	150	150	150	250	250
Voltage Adjust Range	V	2.97~3.63	4.50~5.50	10.8~13.2	13.5~16.5	21.6~26.4	32.4~39.6	43.2~52.8
Rise time	mS	20mS Typ.						
Hold up time	mS	20mS Typ.						
Regulation								
a. Line Regulation [max]	mV	30	20	48	60	96	144	192
b. Load Regulation	mV	40	40	100	120	150	240	240
c. Temperature Coefficient	0 to +50°C	50	50	120	150	240	360	480
	-10 to 0°C	60	60	150	180	290	450	600
d. Drift(maximum)	mV	20	20	48	60	96	144	192
Efficiency *1	%	At AC100V 73%-88.5% At AC 200V 73.5%-90.5%						
Power Factor *1		No power factor needed						

Note: If you would like to buy a wire harness with this power supply, you may either order the wire harness through Molex or directly through ETA-USA. Please observe the following table:

ETA POWER SUPPLY	INPUT HOUSING -MOLEX	OUTPUT HOUSING -MOLEX	TERMINAL	ETA WIRE HARNESS # ; input/output
ESS30-3.3J				
ESS30-05J				
ESS30-12J				
ESS30-15J	0010-63-3044- (5199-04)	0009-65-2049- (5277-04A)	5194PBT(L)	WH-ESS30-J; 40cm WIRE HARNESS
ESS30-24J				
ESS30-36J				
ESS30-48J				





ETA-USA

HIGH QUALITY SWITCHING POWER SUPPLIES

Environmental Specification	
Operating Temperature*3	-10 to +71 °C
Operating Humidity	20~90% RH
Storage Temperature	-30 to +85 °C
Storage Humidity	10~95% RH (no condensation)
Withstanding Voltage	Primary-Secondary AC3,000V for 1minute Primary-Frame Ground AC2,500V for 1minute Secondary-Frame Ground AC1,000V for 1minute *Sensory Current: Secondary Frame Ground (20[mA])/Others (10[mA])
Isolation Resistance	Primary-Secondary-Frame Ground 100MΩ(minimum) by DC500V insulation tester
Vibration	5~10Hz:10mm double amplitude,10-55Hz:19.6m/s ² ,30 minute cycle each along X,Y,Z axes(non-operating)
Shock	196 m/s ² on x,y,z axis
Cooling	Convection
Leakage current	500μA
MTBF	>300,000 hours
Environmental Agencies	
Line Conducted Noise [EMI]	Built to meet FCC part 15 class B, VCCI-B, CISPR22-B, EN55022-B
Line Harmonic Distortion/Current	N/A
Safety	UL60950-1 1st ed. , CAN/CSA C22.2 No.60950-1-03 Approved UL508 17th ed. , CAN/CSA C22.2 No.107.1-01 Approved EN60950-1:2001+A11:2004 Approved CE Marking : EN60950-1:2001+A11:2004 (LVD) Declared
Function/Protection	
Over current Protection	Operate at 105% min of rated current, automatic return
Over voltage Protection	Input reentry at shutdown
Remote Sense	Not Available
Remote Control	Not Available
Series Operation	Available
Parallel Operation	Not available (N+1 Operation is Applicable by Diode-OR)
Driving Indicator	Power Source on LED indication; Green
Mechanical	
Dimension [mm]	33W × 98L × 68H
Weight [g] (typical)	220g





ETA-USA

HIGH QUALITY SWITCHING POWER SUPPLIES

Conditions:

- *1 Rated input and Rated output
- *2 at Output current quick change 25% to 75%
- *3 At 100% load (convection cooling)

Derating Curves

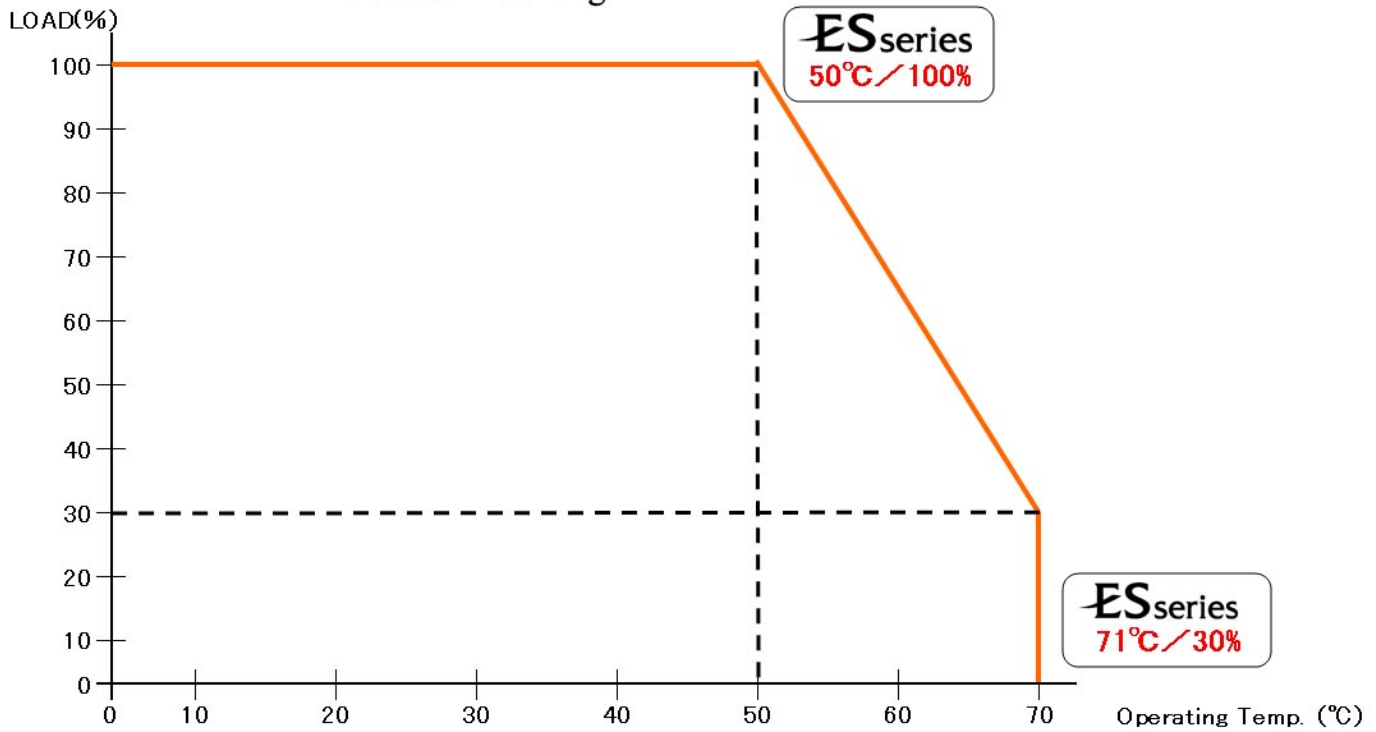




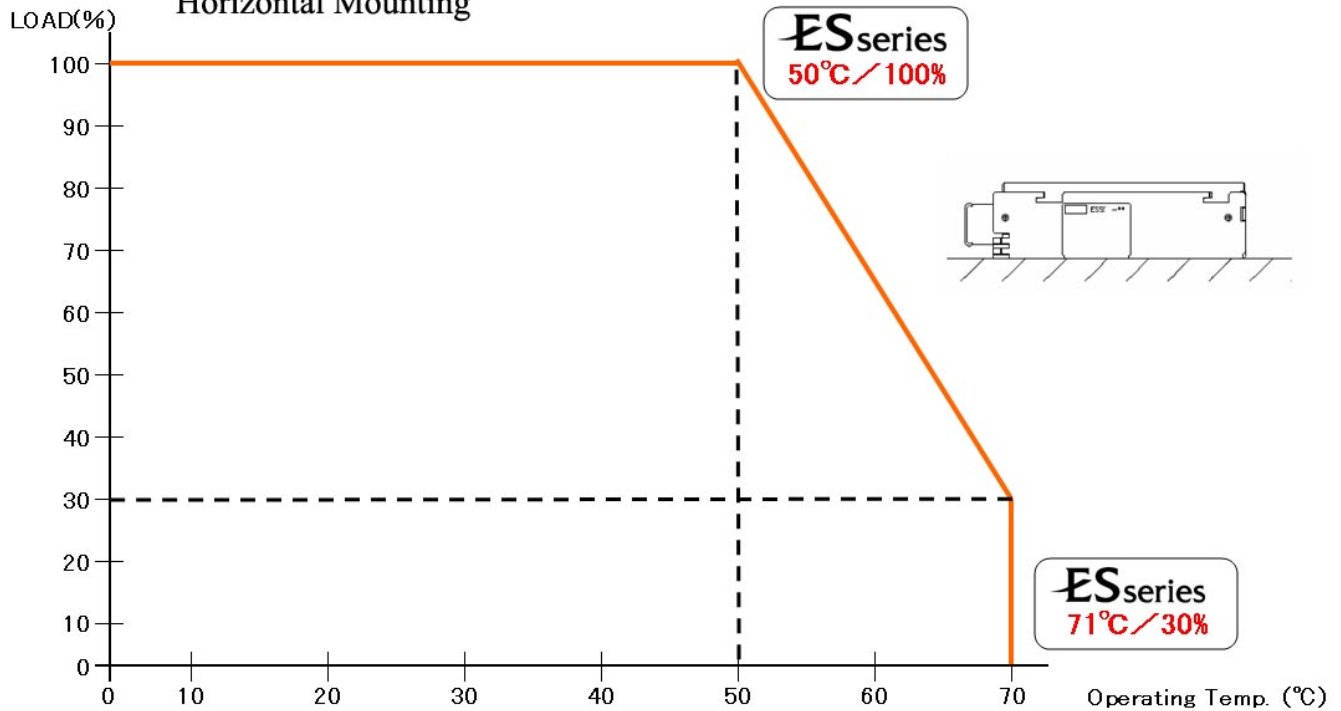
ETA-USA

HIGH QUALITY SWITCHING POWER SUPPLIES

Vertical Mounting



Horizontal Mounting

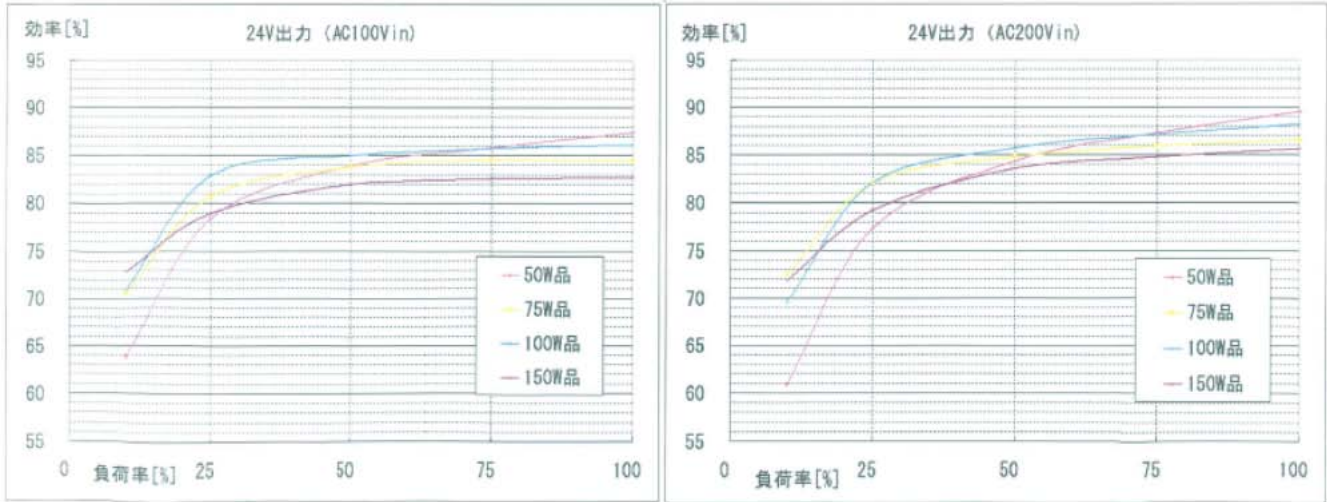




ETA-USA

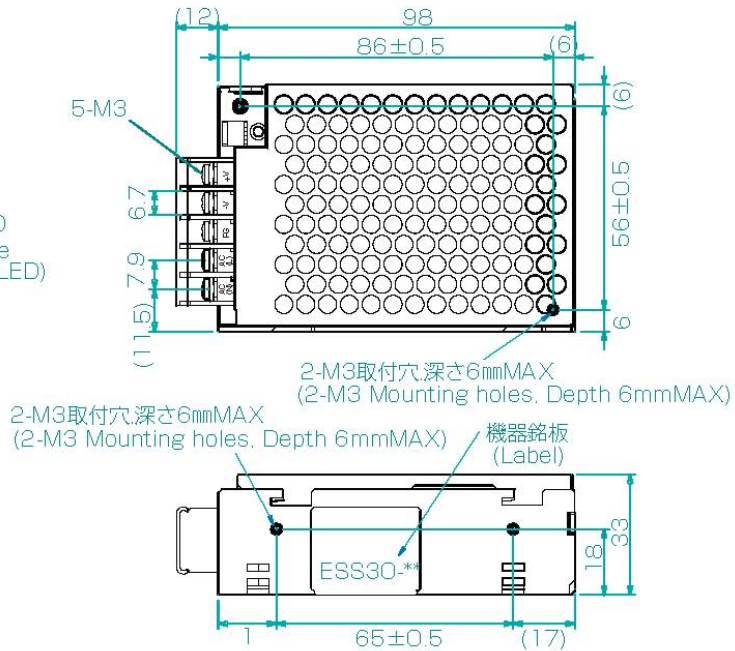
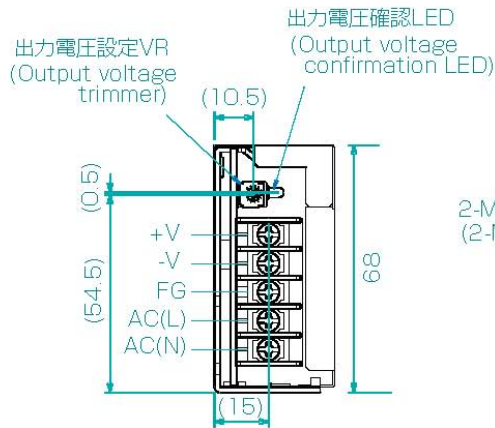
HIGH QUALITY SWITCHING POWER SUPPLIES

Efficiency Curves



Mechanical Drawing

ESS 30

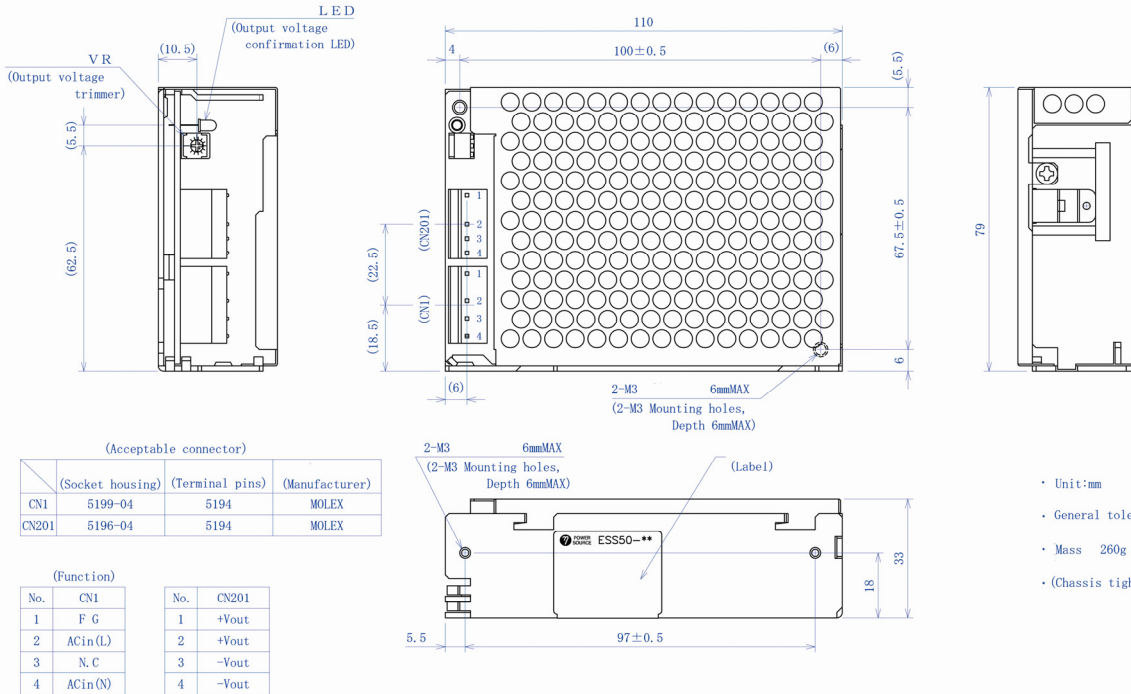




ETA-USA

HIGH QUALITY SWITCHING POWER SUPPLIES

Mechanical Drawing with “-J” connector



Block Diagram

