



ETA-USA

HIGH QUALITY SWITCHING POWER SUPPLIES

AC/DC SWITCHING POWER SUPPLY
24 WATTS
AC INPUT 90-264 VAC
SINGLE OUTPUT

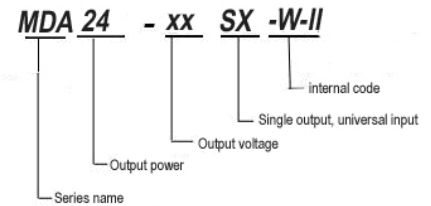
MDA24-SX-W-II



Dimension : L80.0mm×W50.0×H35.0mm



General Description



Input

Input Voltage 90-264VAC
Range:
Frequency: 47-63Hz
Input
Current (RMS) : 0.7A max.@ 90VAC
0.35A max.@ 264VAC

Ripple & Noise : 1%

Features

1. High reliability
2. 100% burn-in tested
3. 100% Hi-pot tested
4. Safety Approvals, EMC compliance
5. Interchangeable AC clips
6. Meets CEC, ERP, EISA, and Energy Star Level V requirements
7. No load power consumption <300mW
8. Short circuit, over load, over voltage protection





ETA-USA

HIGH QUALITY SWITCHING POWER SUPPLIES

Output Characteristic	Unit	Models							
		MDA24-05SX-W-II	MDA24-09SX-W-II	MDA24-12SX-W-II	MDA24-16SX-W-C2-II	MDA24-18SX-W-II	MDA24-24SX-W-II	MDA24-36SX-W-II	MDA24-48SX-W-II
Output Voltage	V _{dc}	5	9	12	16	18	24	36	48
Output Current	A	3	2.66	2	1.5	1.34	1	0.67	0.5
Voltage Adjust Range	V	±5% of Rated Output Voltage (at no load within the input range)							
Ripple & Noise(max)	mV _{pp}	50	90	120	160	180	240	360	480
Hold up time	mS	>10 mS typical							
Regulation									
a. Voltage regulation	mV	+5%/-3%							

Environmental Specification	
Operating Temperature	-20°C to +40°C
Storage Temperature	-20°C to +85 °C
Humidity	20~90%
MTBF demonstrated	>150,000 hours at full load and 25 °C ambient temperature
Environmental Agencies	
Safety Standards	UL 60601-1 CSA-C22.2 No.601.1-M90 NEMKO EN60601-1 CB IEC 60601-1
EMI Standards (Meet)	FCC Part 18Class B EN55011 Class B EN 60601-1-2 Class B CE
Protection	
Short circuit protection	Auto-recover
Over Voltage Protection	Latch, AC recycle
Over Load Protection	Auto-recover
Mechanical	
Dimension [mm]	L80.0mm×W50.0×H35.0mm



ETA USA

16170 Vineyard Blvd. Suite 180, Morgan Hill, CA 95037
Phone: 1-800-ETA-POWR, (408) 778-2793 Fax: (408) 779-2753

Visit us at: www.eta-usa.com
email at: sales@eta-usa.com

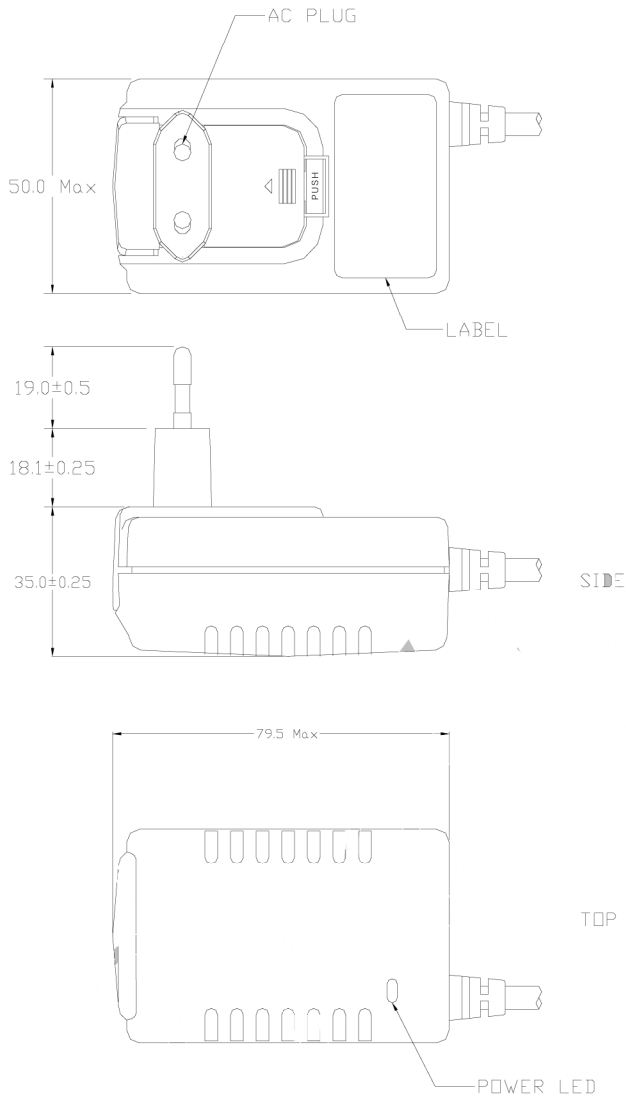


ETA-USA

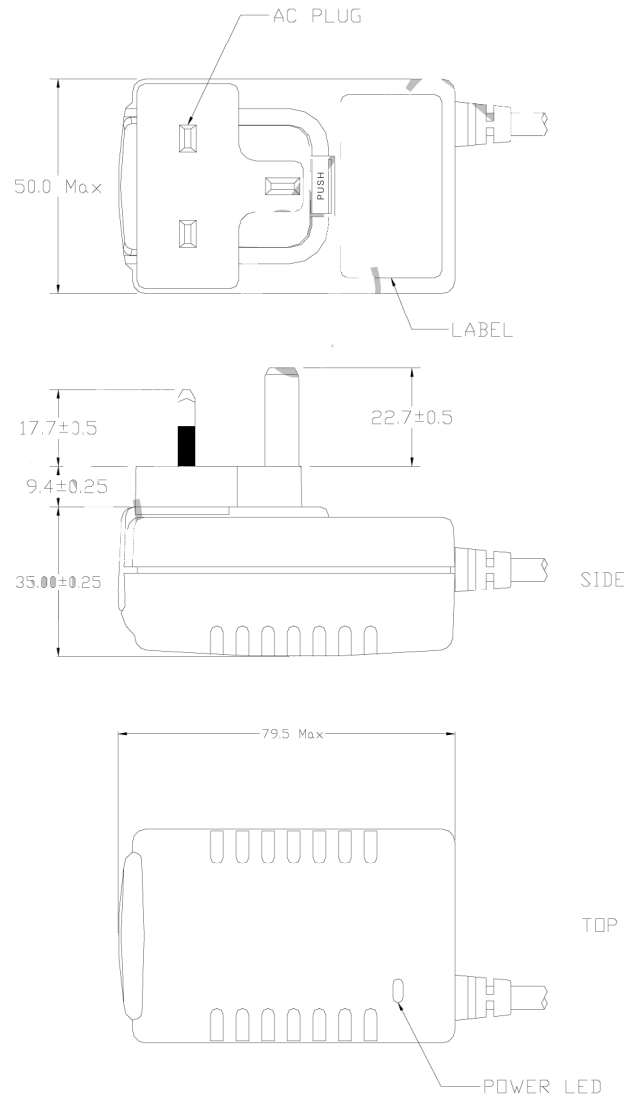
HIGH QUALITY SWITCHING POWER SUPPLIES

DIMENSION DIAGRAM (mm)

Option : European Type



Option : UK Type

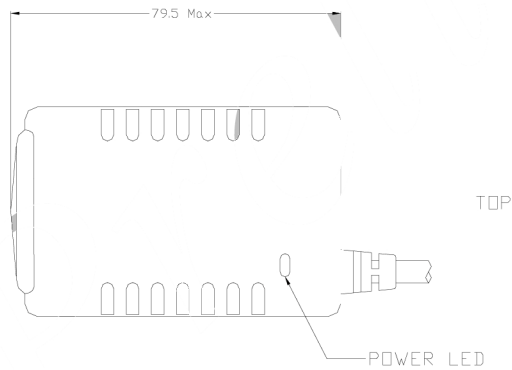
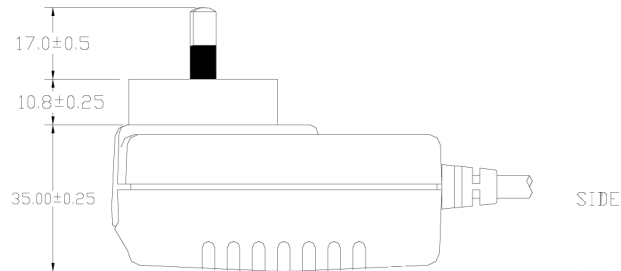
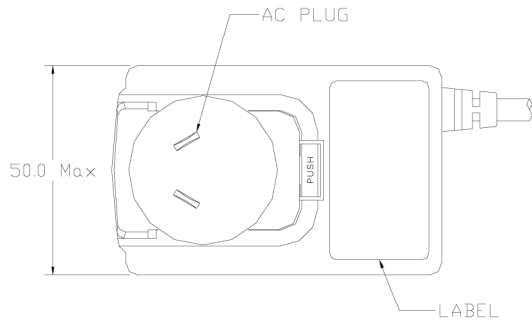




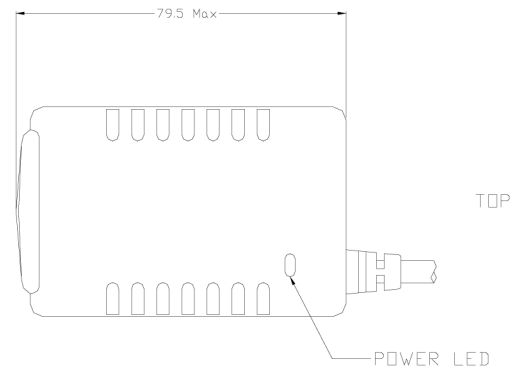
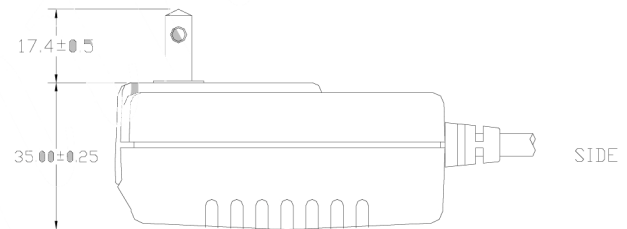
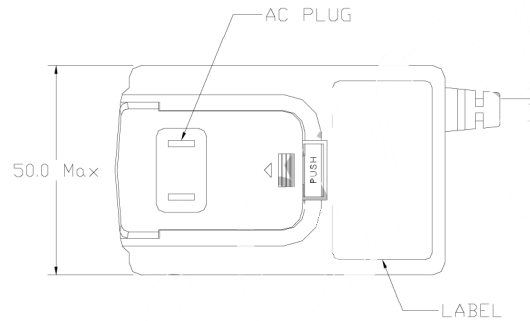
ETA-USA

HIGH QUALITY SWITCHING POWER SUPPLIES

Option : Australia Type



Option : American Type





ETA-USA

HIGH QUALITY SWITCHING POWER SUPPLIES

Option : C8

