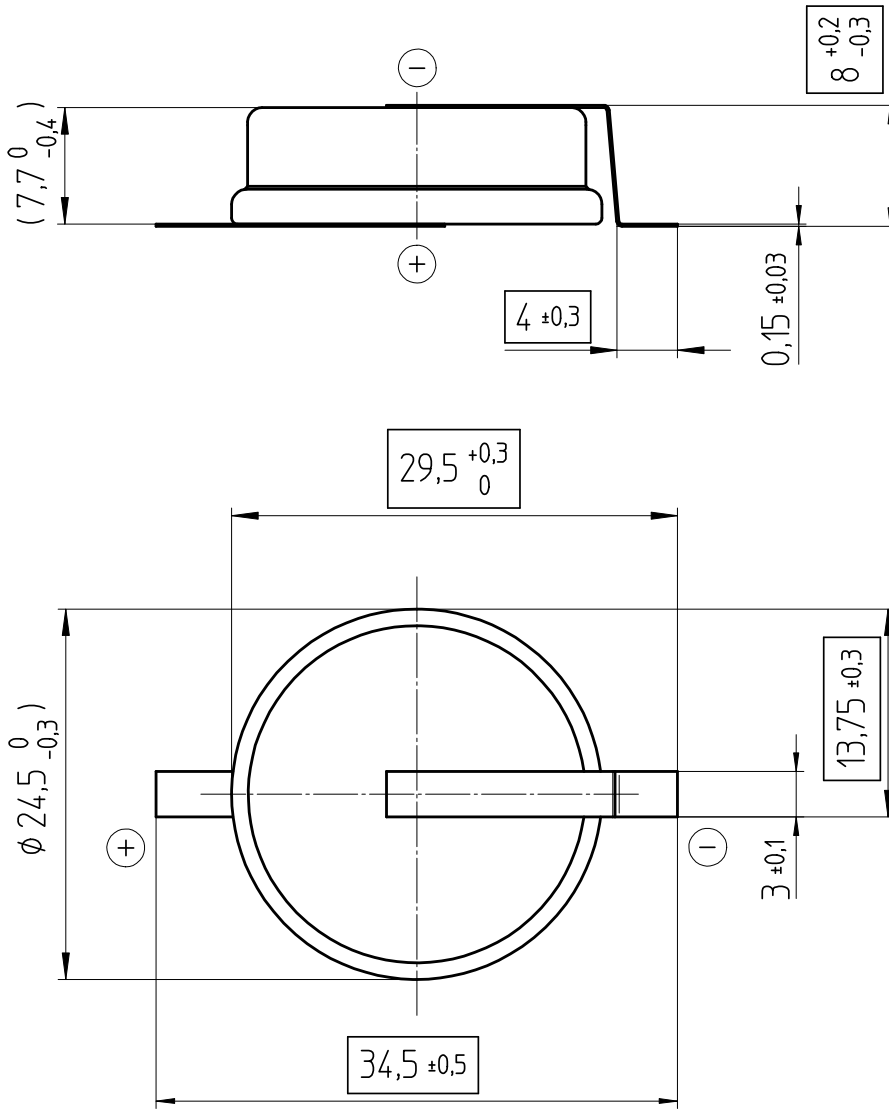


Art.-Number: 701978



Tab material: Isotan (54%Cu,44%Ni,Mn)

All framed values will be used for dimension checking !

- Samples can deviate in the execution from the serie.

- Dimensions and tolerances can be specified only after the testing of the devices for the mass production definitely

Rev.	○			Rev.	○			Customer's Approval			
Rev.	○			Rev.	○			Date			
Rev.	○			Rev.	○			Signature			
Titel: CR2477NSM								Scale 2:1	Drawn	05.11.07	SRi
									Checked	06.11.07	BBö
									Approved		
								CH-4452 Itingen Switzerland		3.9207.4-	