

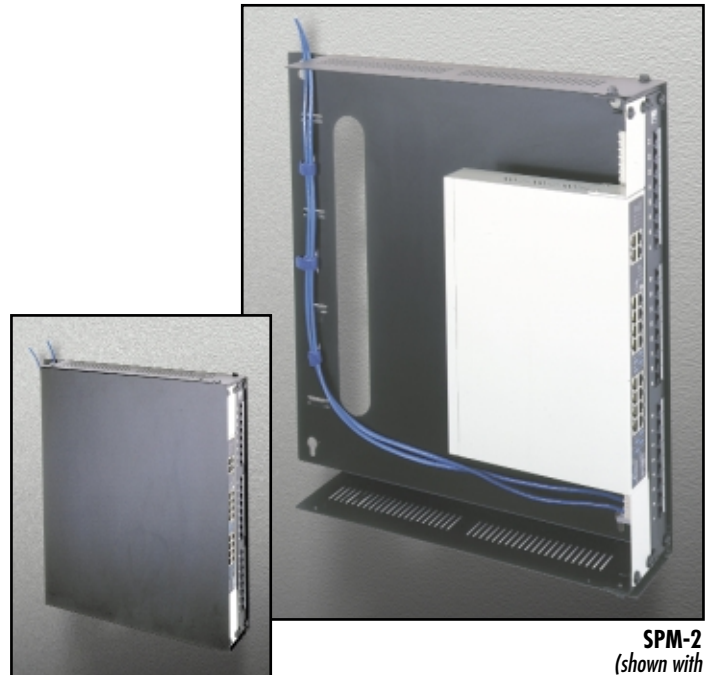
TIA/EIA Compliant

SPM Series Sideways Panel Mount

Mount hubs and other network components flat against the wall, under tables or desks, with our innovative all-steel sideways panel mounts

Features

- Provides low-profile wall-mounting for deep hubs and routers
- Includes steel front cover
- Abundant cable lacing points provided in the rear
- Available in two sizes: 2 and 4 spaces
- Includes pre-installed 11-gauge, 10-32 threaded rackrail
- Durable black powder coat finish



SPM-2
(with cover)

SPM-2
(shown with
cover removed)

Architects' and Engineers' Specifications

- SPM Series shall be M.A.P./DataTel part # SPM-X (X= rackspaces required.)
- The SPM Series Sideways Panel Mount shall be constructed of the following materials:
 1. Body and cover shall be 16-gauge steel
 2. Rackrail shall be 11-gauge steel, with threaded 10-32 holes in universal E.I.A. spacing

3. SPM series panel mounts shall be phosphate pre-treated and finished in a durable black powder coat

WEIGHT CAPACITY

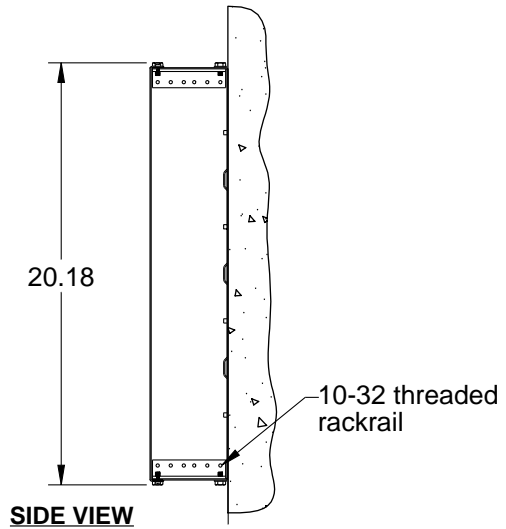
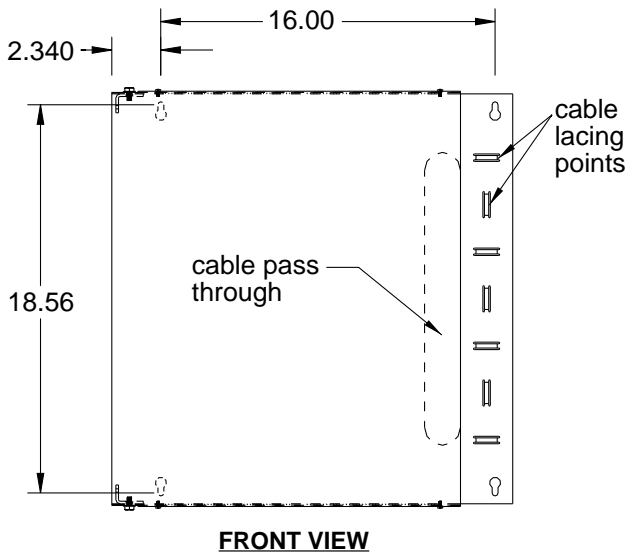
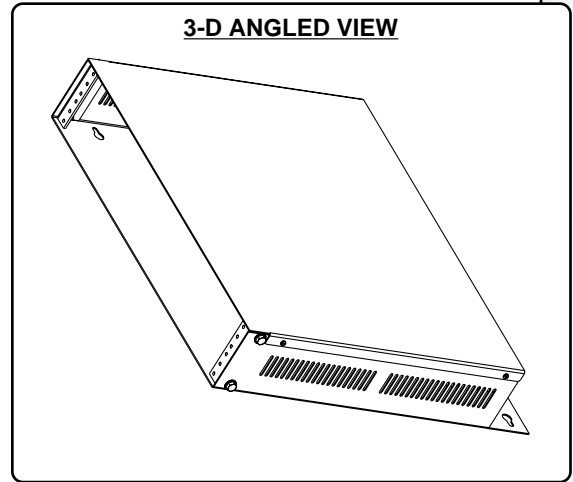
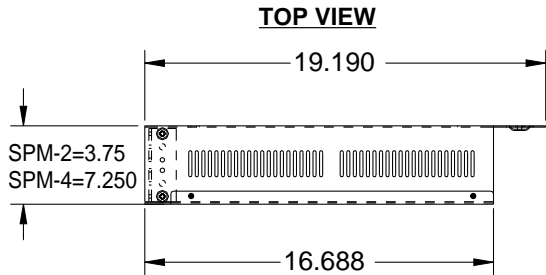
SPM-2 50 lbs.

SPM-4 40 lbs.

The RACK SYSTEM EXPERTS

www.datatelracks.com

SPM Series Basic Dimensions



ALL DIMENSIONS IN INCHES UNLESS OTHERWISE NOTED

PART #	RACKING HEIGHT/ RACK SPACES
SPM-2	3.50 / 2 SP
SPM-4	7.00 / 4 SP