

DWR Series Sectional Wall Rack

EIA Compliant

The DWR Series 19" sectional wall rack enclosures
Broadest range of sizes available, with outstanding cable lacing features

Features

- 16-gauge steel construction with 1/8" thick laser-cut corner braces
- Adjustable front rackrail, rear rackrail optional
- Center section hinges for left or right opening
- 1/2", 3/4", 1" & 1 1/2" electrical knockouts on plates top & bottom, easily removable for cable pass-through
- 12 1/2" x 12 1/2" laser knockout opening in the backpan for electrical pullbox
- Laser knockouts in the center section, top and bottom, accommodate four - 4 1/2" fans
- Padlockable draw-latch plus keylock in center section
- Locks are keyed differently front and rear
- Abundant internal cable tie points
- Durable black textured powder coat finish



DWR-24-22
(shown with optional vented front door)

Wall Rack Accessories
COPPER BUSS BAR
REAR RAIL KIT
UNIVERSAL FRONT DOORS
WRINKLE TOUCH-UP PAINT

for details- see the universal cabinet options pages of the Master catalog

Architects' and Engineers' Specifications

- DWR Series racks shall be M.A.P. model number DWR-XX-YY (X=rack spaces req'd. Y= rack depth req'd.) (See chart prior to determining X & Y.)
- The DWR rack shall be constructed of the following materials:
 1. Center section shall be 16-gauge steel
 2. Backpan shall be 16-gauge steel
 3. Rackrail shall be 11-gauge steel, with tapped 10-32 holes in universal E.I.A. spacing
 4. DWR center section shall keylock close, keylock and padlockable draw latch provided
 5. DWR series rack shall be phosphate pre-treated and finished in a durable black powder coat
 6. The DWR series shall be of welded construction

WEIGHT CAPACITIES

DWR-35-XX & DWR-24-XX	300 pounds
DWR-21-XX & DWR-18-XX	200 pounds
DWR-16-XX, DWR-12-XX & DWR-10-XX	150 pounds

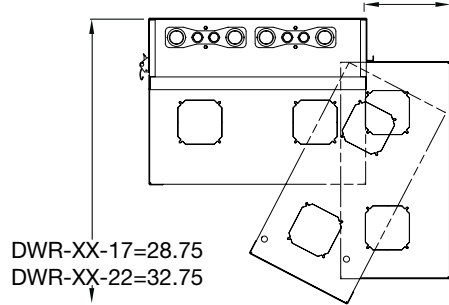
OPTIONS

- Front doors - shall be of 16-gauge steel, part # FD-XX(solid), VFD-XX(vented), PFD-XX(plexi), (X=# of rack spaces of DWR rack)
- Keyless Latch - replaces keylock, fits front & rear doors, part # LATCH
- Rear rail kit - 11-gauge, 10-32 threaded, sold in pairs, hardware included, Part # DWR-RRXX

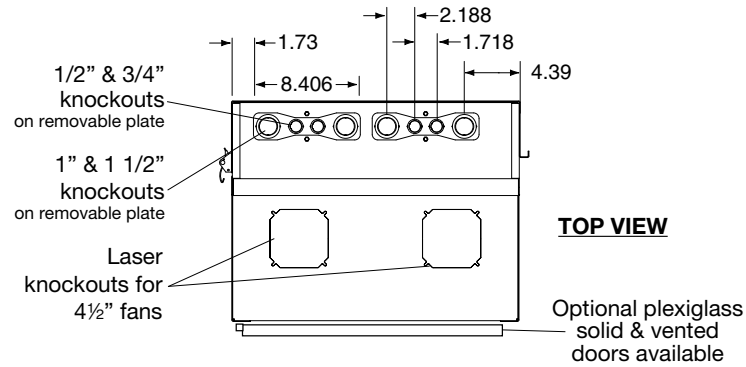
Engineered Mounting Solutions for Low Voltage Applications

CENTER SECTION CLEARANCE

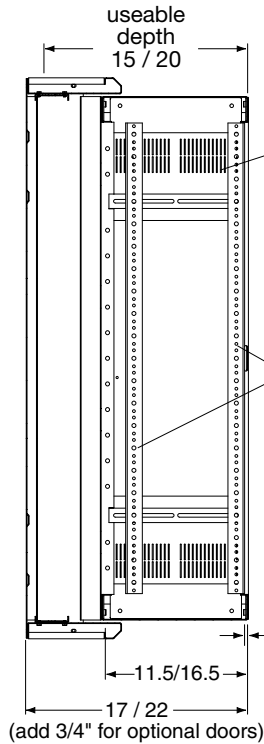
DWR-XX-17=8.75
DWR-XX-22=13.75



DWR Series Basic Dimensions

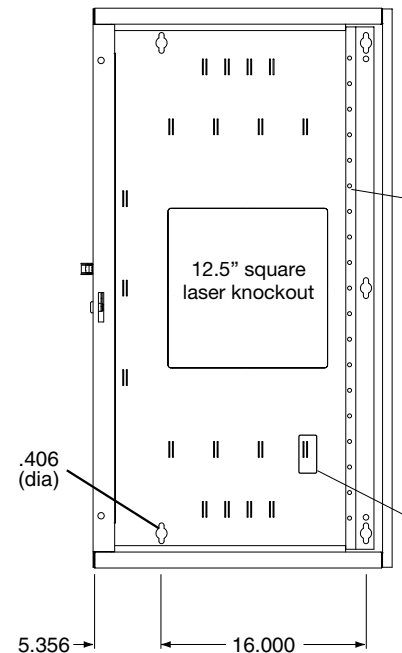
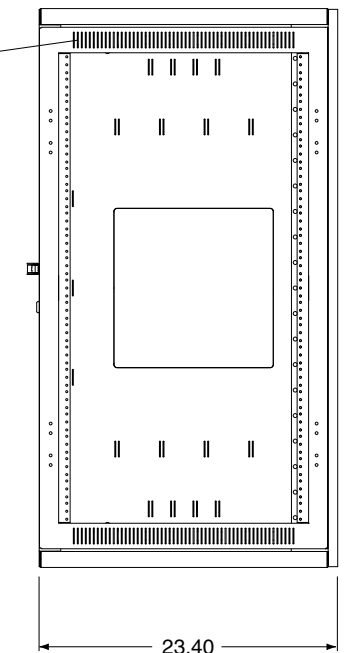


PART #	RACKING HEIGHT / RACKSPACES	"A" OVERALL HEIGHT	WEIGHT CAPACITY
DWR-10-17	17.50 / 10 SP	24.563	150 lbs.
DWR-10-22	17.50 / 10 SP	24.563	150 lbs.
DWR-12-17	21.00 / 12 SP	28.063	150 lbs.
DWR-12-22	21.00 / 12 SP	28.063	150 lbs.
DWR-16-17	28.00 / 16 SP	35.063	150 lbs.
DWR-16-22	28.00 / 16 SP	35.063	150 lbs.
DWR-18-17	31.50 / 18 SP	38.563	200 lbs.
DWR-18-22	31.50 / 18 SP	38.563	200 lbs.
DWR-21-17	36.75 / 21 SP	43.813	200 lbs.
DWR-21-22	36.75 / 21 SP	43.813	200 lbs.
DWR-24-17	42.00 / 24 SP	49.063	300 lbs.
DWR-24-22	42.00 / 24 SP	49.063	300 lbs.
DWR-35-17	61.25 / 35 SP	68.313	300 lbs.
DWR-35-22	61.25 / 35 SP	68.313	300 lbs.



vented front and sides for increased air-flow

Fully adjustable rackrail (optional rear rail kit DWR-RRXX shown)



"Z" profile cable lacing bar, also provides convenient mounting for power strips, etc.

