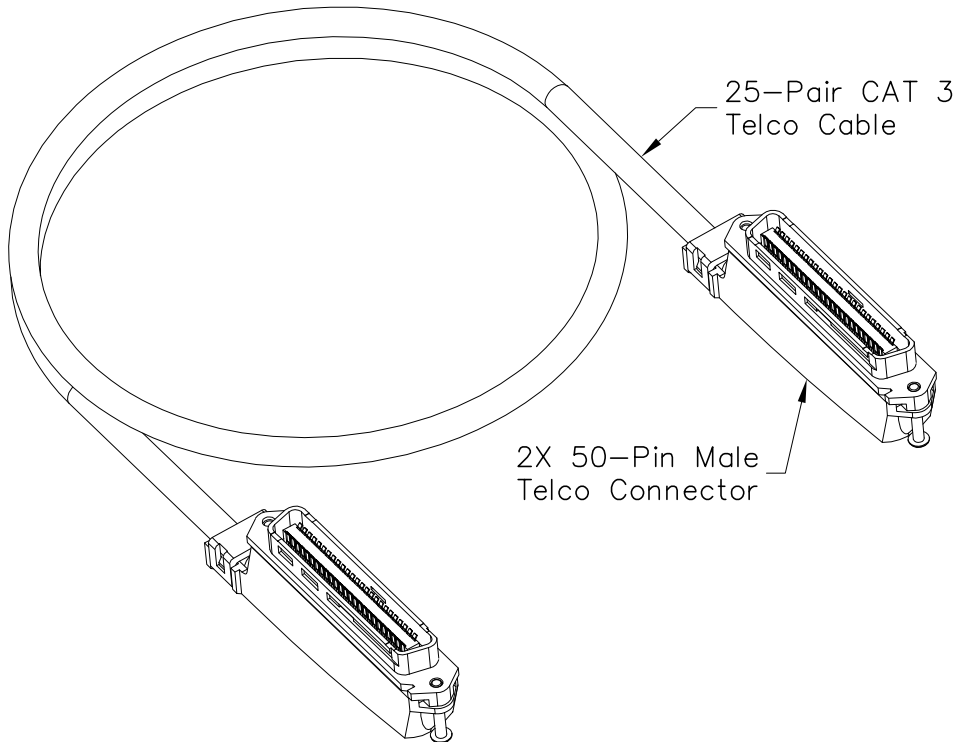


25-Pair CAT 3 Telco Cable Assembly w/ 50-Pin Male-to-Male Connectors

PRODUCT SPECIFICATION

Package includes:

- A. 25-Pair CAT 3 Telco Cable, 1 pc
- B. 50-Pin Male Telco Connectors, 2 pcs



Features and Benefits:

- Designed to use for voice and low data applications with punch down blocks, patch panels, and distribution boxes
- Can also be used as extension cables
- 24 AWG unshield twisted pair (UTP) Category 3 rated cable
- Includes two 50-pin male telco connectors (RJ21)
- Available in 5, 10, 15, 20, 25, 50, 75, and 100 FT

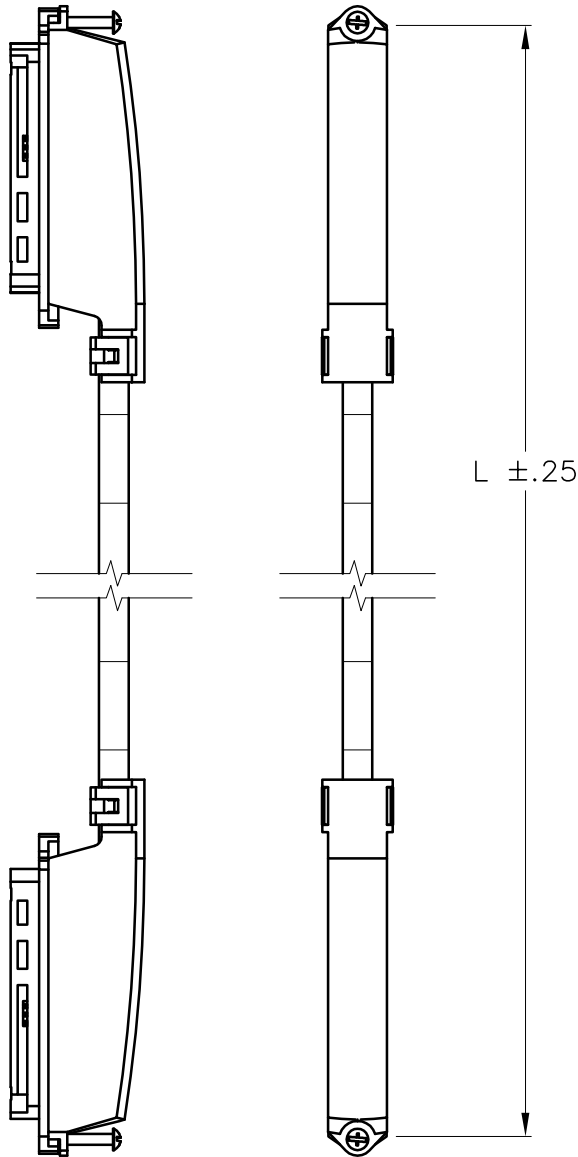
25-PAIR CABLE ASSEMBLY, M-M, 90°

ITEM NO.	ICPCSTMMXX
DWG NO.	PSPCSTMM00

REV.	A
PAGE NO.	1



CUSTOMER CARE / TECHNICAL SUPPORT * CSR@ICC.COM / 888-ASK-4-ICC (275-4422) * 16800 Edwards Road, Cerritos, CA 90703 * Phone 562-356-3111 * Fax 562-356-3100 * www.icc.com



NOTE: UNLESS OTHERWISE SPECIFIED

1. MALE 50-PIN TELCO CONNECTORS:

- A. MATERIAL:
 - HIGH STRENGTH COPPER ALLOY CONTACTS
 - HIGH IMPACT THERMO PLASTIC HOUSING AND COVER
- B. FINISH: 30 MICRO INCHES OF GOLD OVER NICKEL PLATING IN MATING CONTACT AREA
- C. COLOR: BLACK

2. 25-PAIR CAT 3 TELCO CABLE:

- A. MATERIAL:
 - 24 AWG SOLID COPPER CONDUCTORS
 - PVC INSULATION AND JACKET
- B. COLOR: GRAY
- C. LENGTH: XX: 05-5 FT, 10-10 FT, 15-15 FT, 20-20 FT, 25-25 FT, 50-50 FT, 75-75 FT, & 100-100 FT

ITEM NO.	L(FT)
ICPCSTMM05	5
ICPCSTMM10	10
ICPCSTMM15	15
ICPCSTMM20	20
ICPCSTMM25	25
ICPCSTMM50	50
ICPCSTMM75	75
ICPCSTMM00	100

50	VIOLET	GRAY
49	VIOLET	BROWN
48	VIOLET	GREEN
47	VIOLET	ORANGE
46	VIOLET	BLUE
45	YELLOW	GRAY
44	YELLOW	BROWN
43	YELLOW	GREEN
42	YELLOW	ORANGE
41	YELLOW	BLUE
40	BLACK	GRAY
39	BLACK	BROWN
38	BLACK	GREEN
37	BLACK	ORANGE
36	BLACK	BLUE
35	RED	GRAY
34	RED	BROWN
33	RED	GREEN
32	RED	ORANGE
31	RED	BLUE
30	WHITE	GRAY
29	WHITE	BROWN
28	WHITE	GREEN
27	WHITE	ORANGE
26	WHITE	BLUE
25	GRAY	VIOLET
24	BROWN	VIOLET
23	GREEN	VIOLET
22	ORANGE	VIOLET
21	BLUE	VIOLET
20	GRAY	YELLOW
19	BROWN	YELLOW
18	GREEN	YELLOW
17	ORANGE	YELLOW
16	BLUE	YELLOW
15	GRAY	BLACK
14	BROWN	BLACK
13	GREEN	BLACK
12	ORANGE	BLACK
11	BLUE	BLACK
10	GRAY	RED
9	BROWN	RED
8	GREEN	RED
7	ORANGE	RED
6	BLUE	RED
5	GRAY	WHITE
4	BROWN	WHITE
3	GREEN	WHITE
2	ORANGE	WHITE
1	BLUE	WHITE
PIN NO.	BODY (TIP)	TRACER (RING)
	WIRE COLOR	

25-PAIR CABLE ASSEMBLY, M-M, 90°

ITEM NO.	ICPCSTMMXX	REV.	A
DWG NO.	PSPCSTMM00	PAGE NO.	2



CUSTOMER CARE / TECHNICAL SUPPORT * CSR@ICC.COM / 888-ASK-4-ICC (275-4422) * 16800 Edwards Road, Cerritos, CA 90703 * Phone 562-356-3111 * Fax 562-356-3100 * www.icc.com